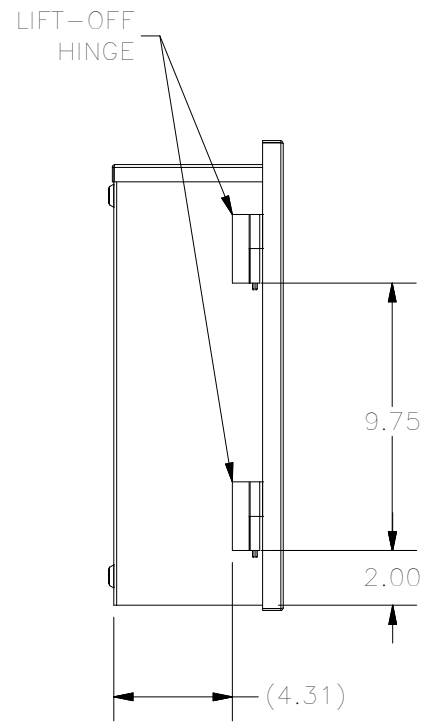
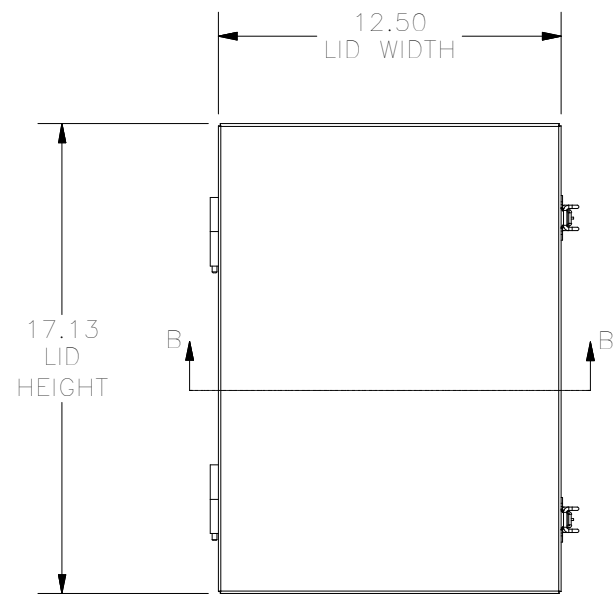


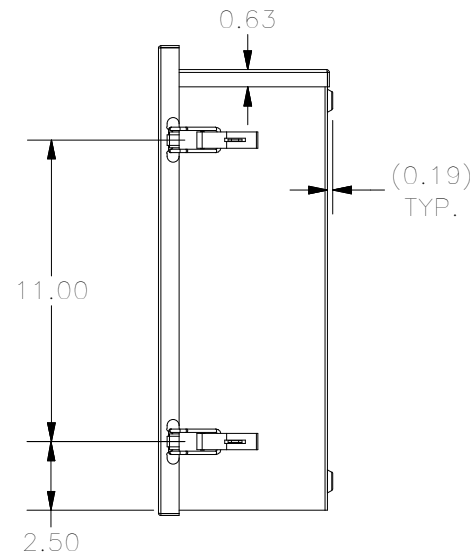
TOP VIEW



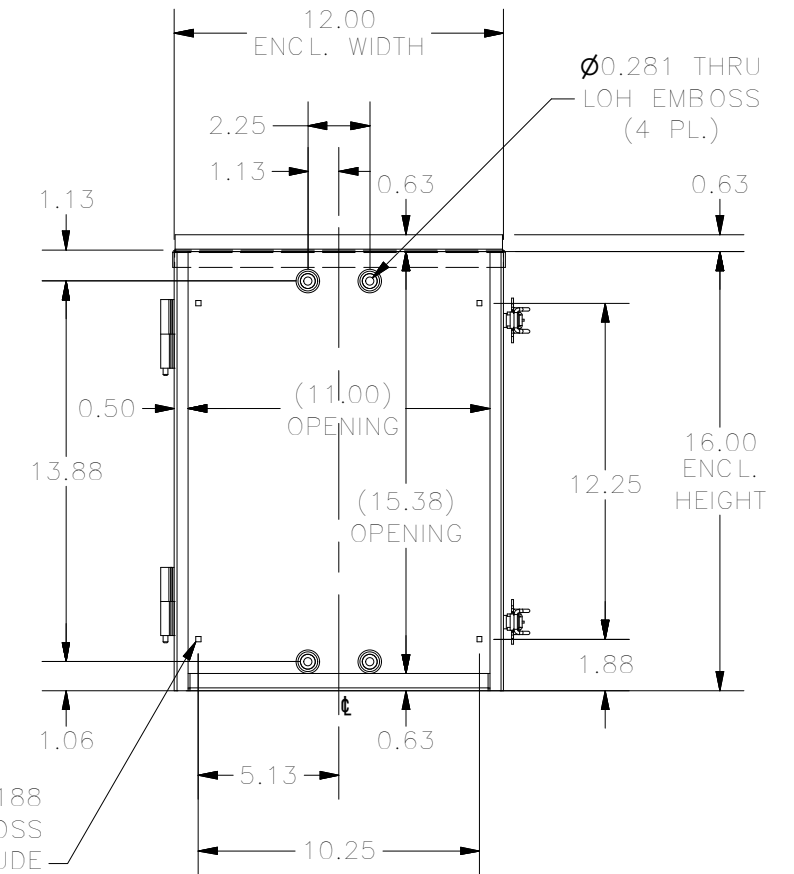
LEFT SIDE VIEW



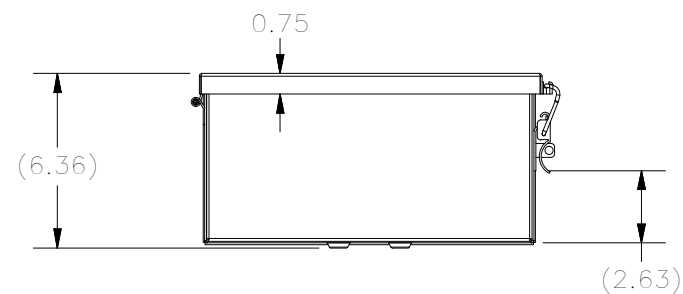
FRONT VIEW



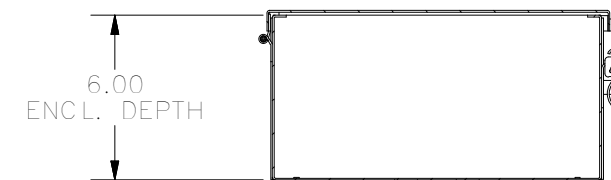
RIGHT SIDE VIEW



FRONT VIEW (DOOR REMOVED)

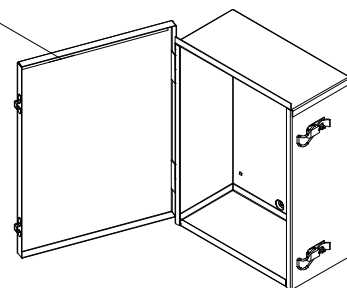


BOTTOM VIEW



**SECTION B-B
(INSIDE VIEW OF TOP)**

5/8" X 1/8" NEOPRENE STRIP GASKET APPLIED TO INSIDE TOP FACE OF LID TO REDUCE RATTLE (1 FT.)



PART#: LOH161206
(DATA SUBJECT TO CHANGE WITHOUT NOTICE)

THIS DRAWING IS PROPERTY OF HUBBELL INC. WIEGMANN
ALL INFORMATION IS PROPRIETARY AND NOT TO BE DUPLICATED