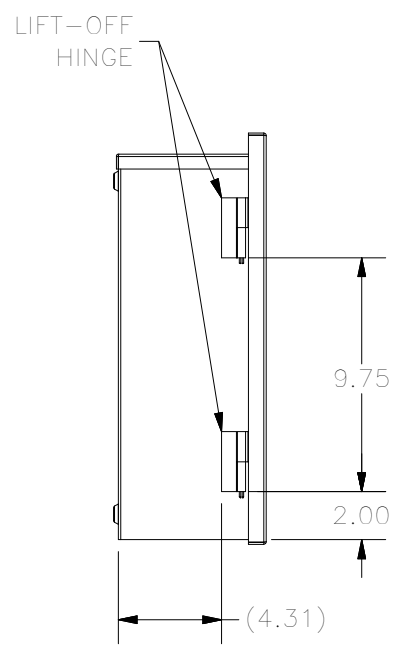
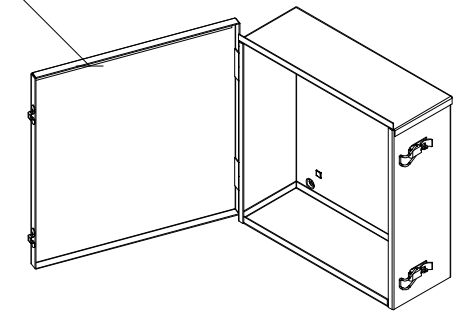
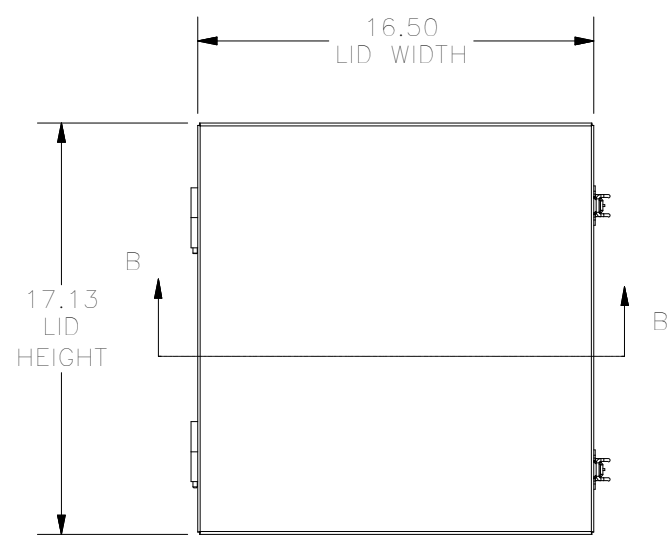


TOP VIEW

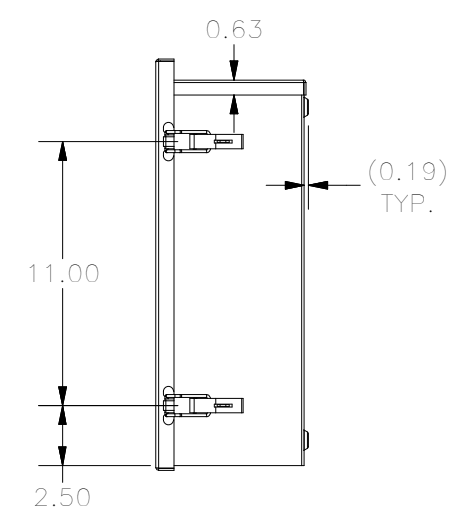
5/8" X 1/8" NEOPRENE STRIP GASKET APPLIED TO INSIDE TOP FACE OF LID TO REDUCE RATTLE (1 FT.)



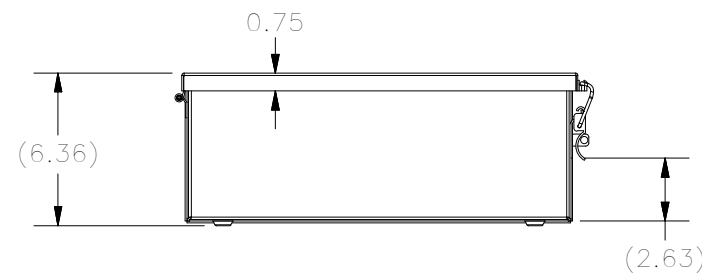
LEFT SIDE VIEW



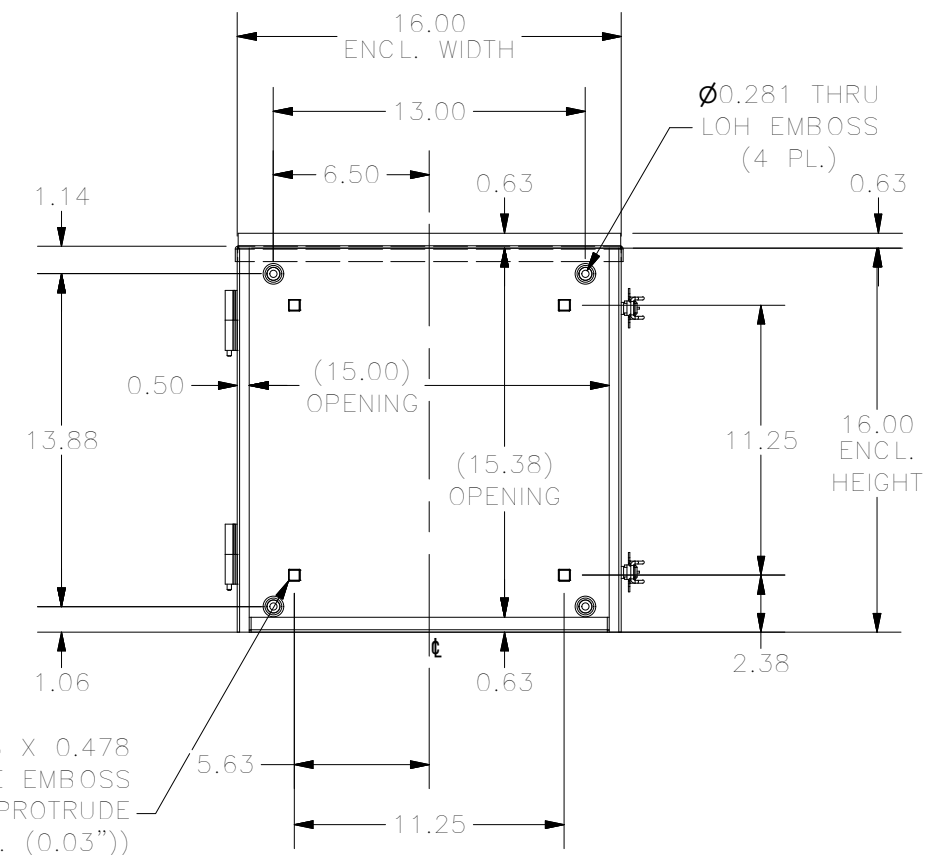
FRONT VIEW



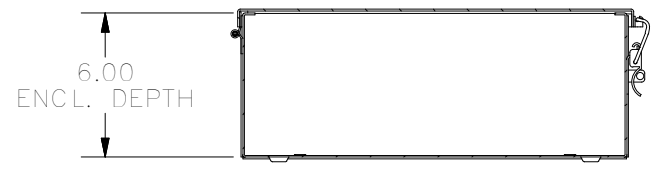
RIGHT SIDE VIEW



BOTTOM VIEW



FRONT VIEW (DOOR REMOVED)



SECTION B-B (INSIDE VIEW OF TOP)

PART#: LOH161606
 (DATA SUBJECT TO CHANGE WITHOUT NOTICE)

THIS DRAWING IS PROPERTY OF HUBBELL INC. WIEGMANN
 ALL INFORMATION IS PROPRIETARY AND NOT TO BE DUPLICATED