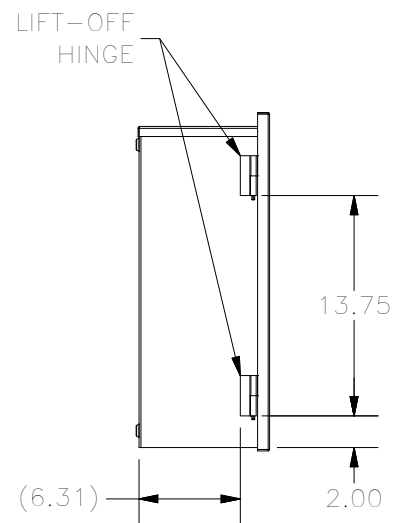
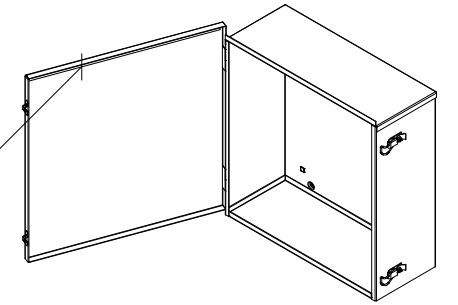
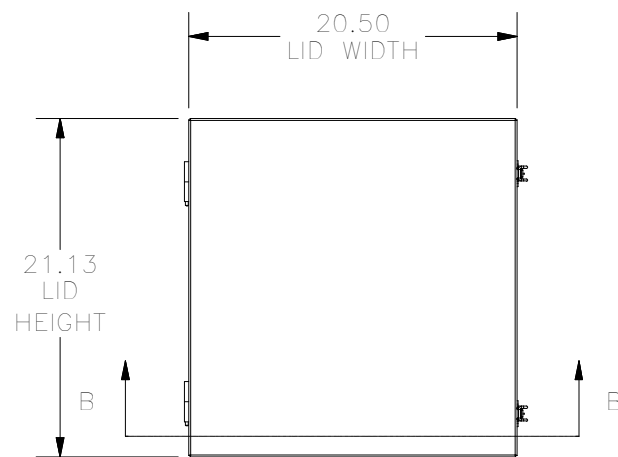


TOP VIEW

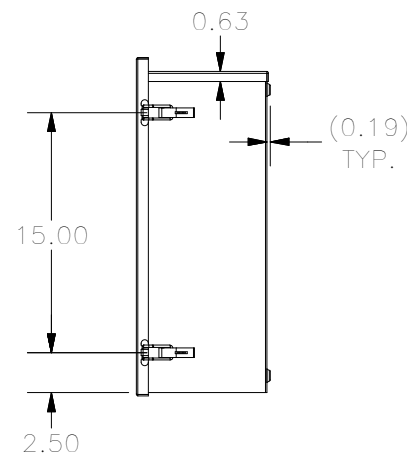
5/8" X 1/8" NEOPRENE STRIP GASKET APPLIED TO INSIDE TOP FACE OF LID TO REDUCE RATTLE (1 FT.)



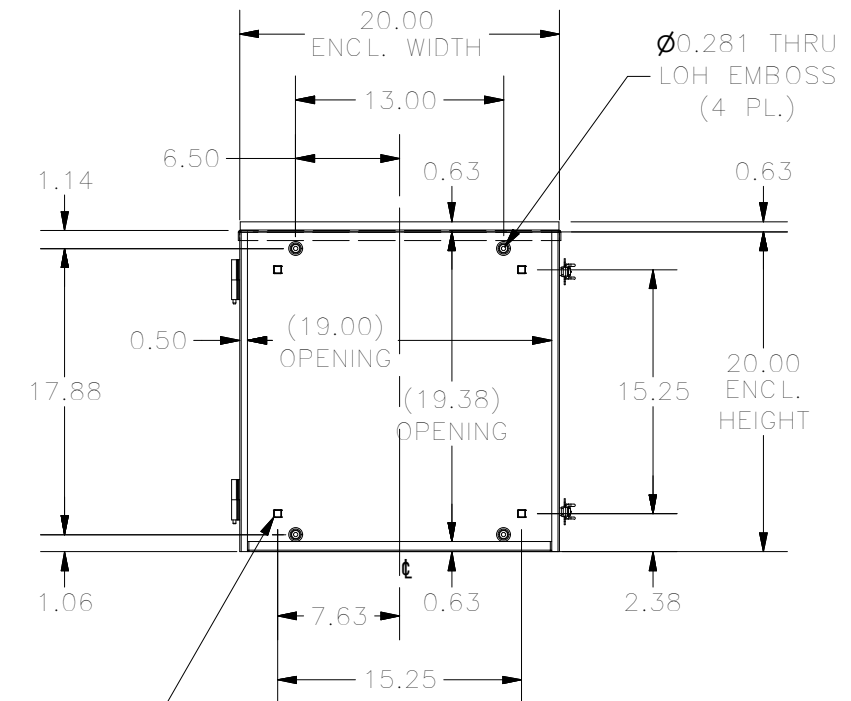
LEFT SIDE VIEW



FRONT VIEW

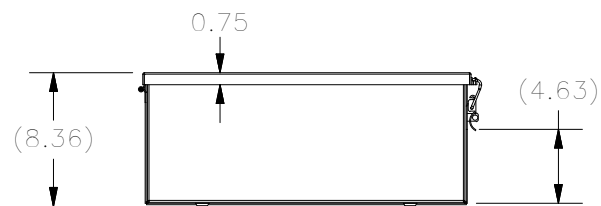


RIGHT SIDE VIEW

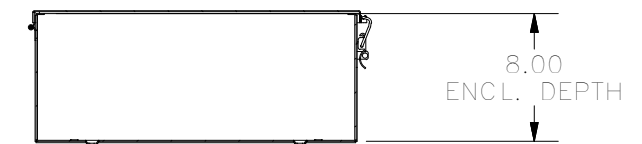


FRONT VIEW (DOOR REMOVED)

0.478 X 0.478 SQUARE EMBOSS (EMBOSS TO PROTRUDE INSIDE ENCL. (0.03")) (4 PL.)



BOTTOM VIEW



SECTION B-B (INSIDE VIEW OF TOP)

PART#: LOH202008
(DATA SUBJECT TO CHANGE WITHOUT NOTICE)

THIS DRAWING IS PROPERTY OF HUBBELL INC. WIEGMANN
ALL INFORMATION IS PROPRIETARY AND NOT TO BE DUPLICATED