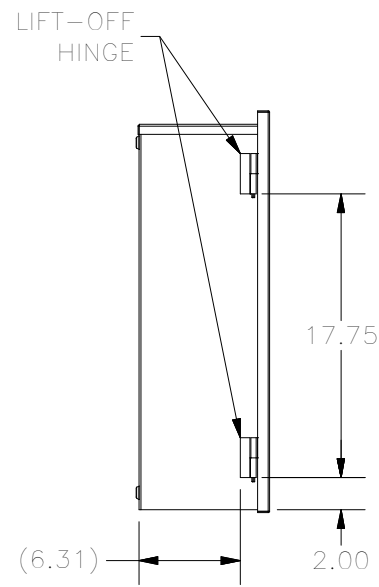
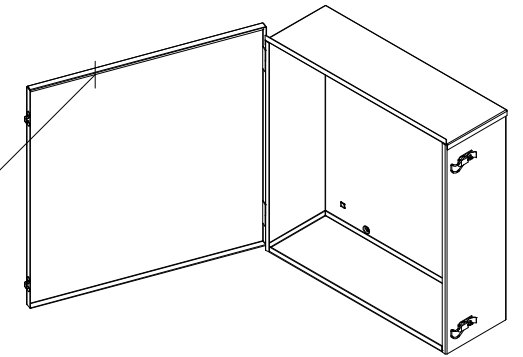
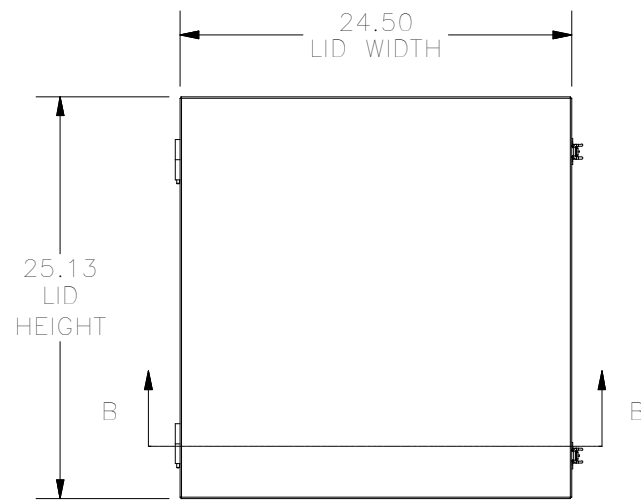


TOP VIEW

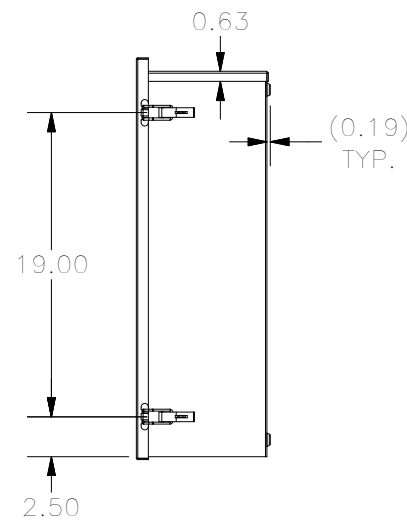
5/8" X 1/8" NEOPRENE STRIP GASKET APPLIED TO INSIDE TOP FACE OF LID TO REDUCE RATTLE (1 FT.)



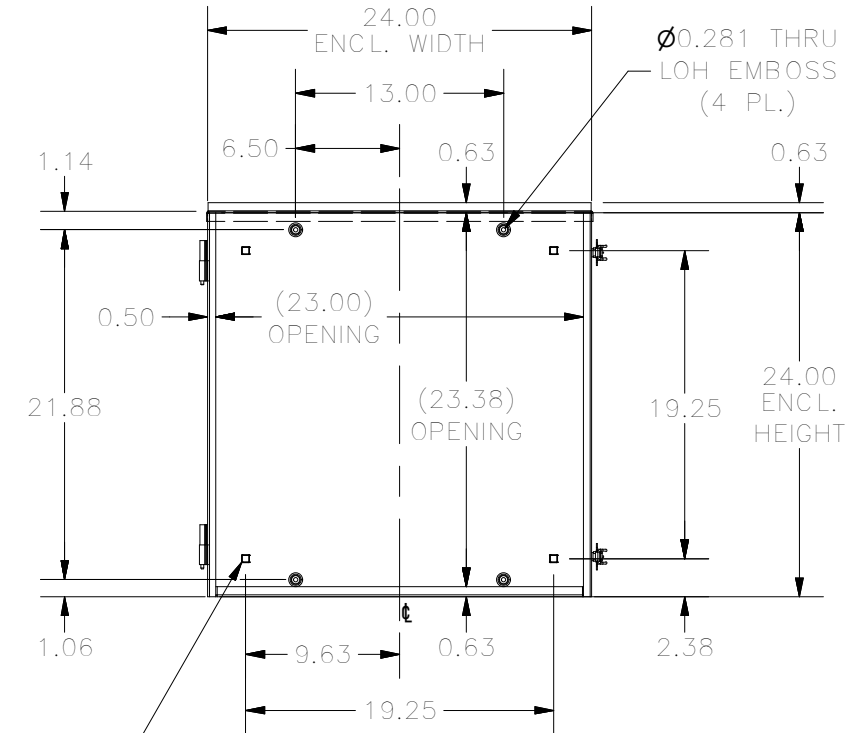
LEFT SIDE VIEW



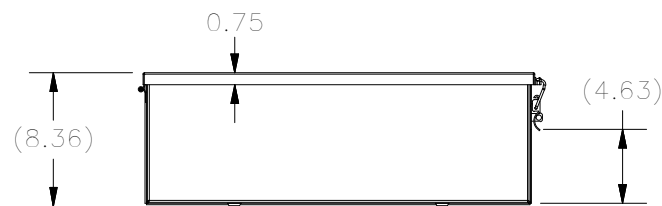
FRONT VIEW



RIGHT SIDE VIEW



FRONT VIEW (DOOR REMOVED)



BOTTOM VIEW

0.478 X 0.478 SQUARE EMBOSS (EMBOSS TO PROTRUDE INSIDE ENCL. (0.03")) (4 PL.)



SECTION B-B (INSIDE VIEW OF TOP)

PART#: LOH242408
(DATA SUBJECT TO CHANGE WITHOUT NOTICE)