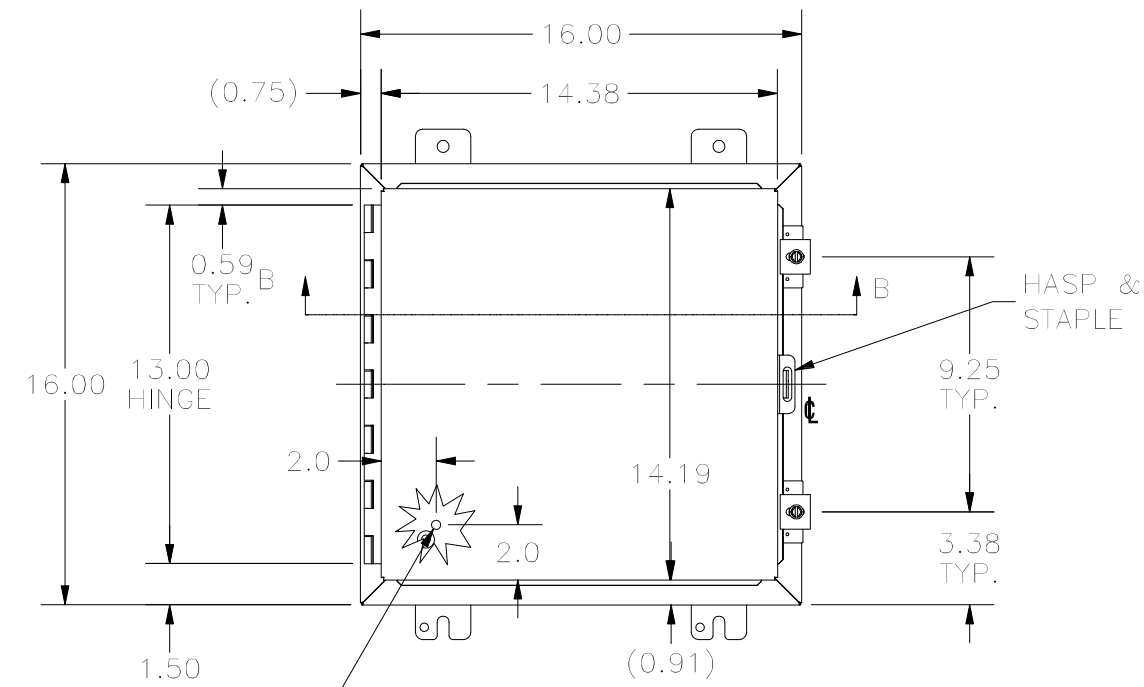
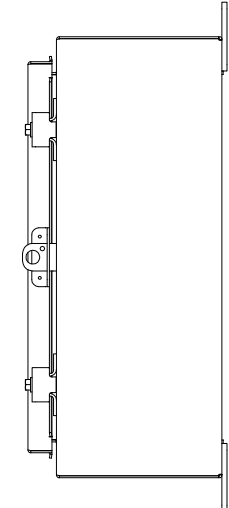


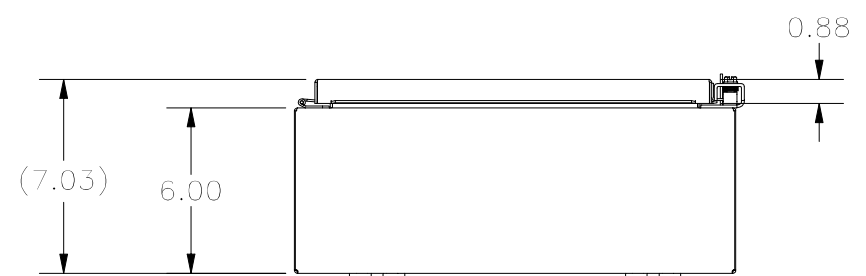
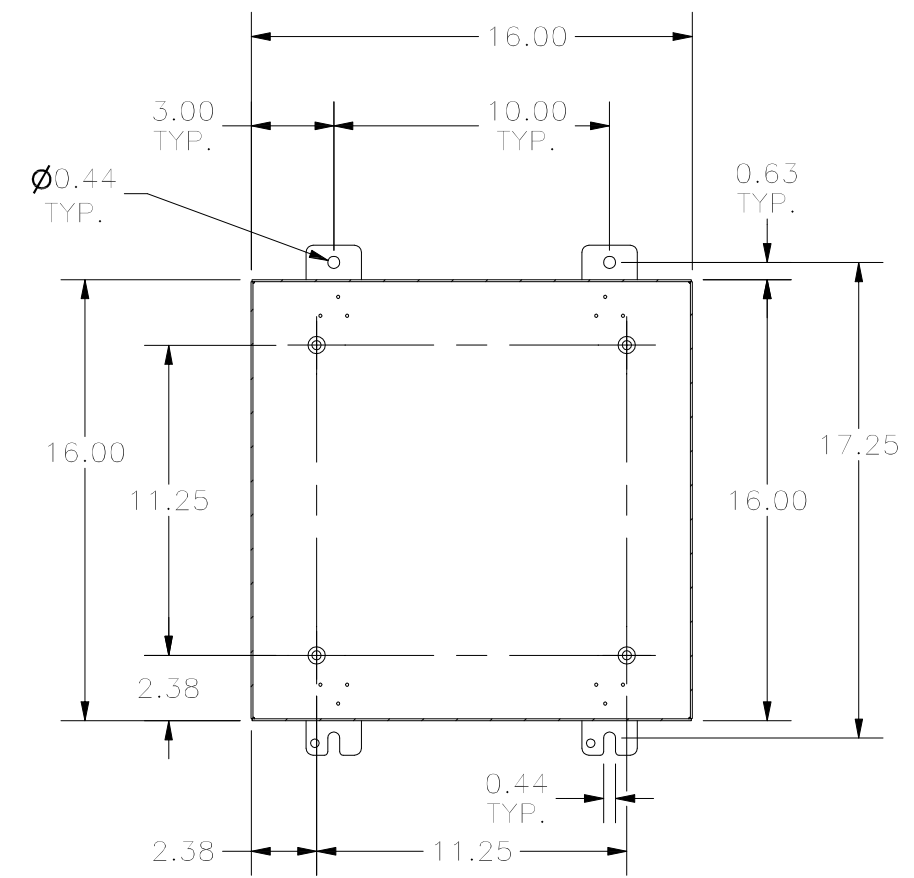
LEFT SIDE



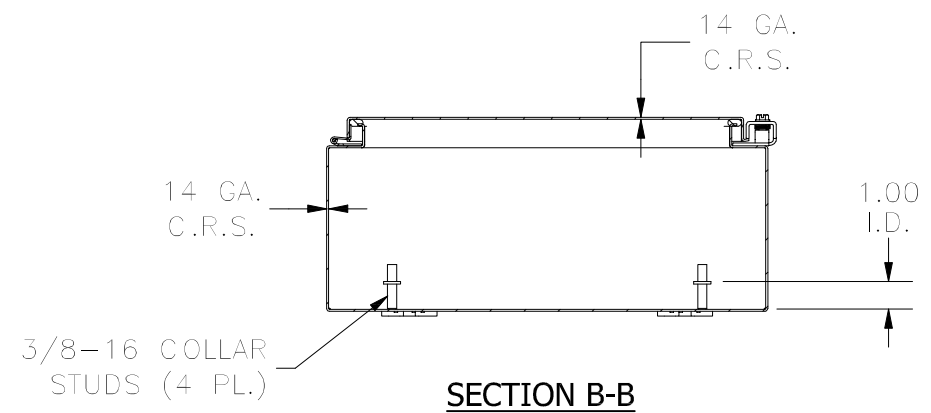
FRONT VIEW



RIGHT VIEW



BOTTOM VIEW



PART#: N12161606
 (DATA SUBJECT TO CHANGE WITHOUT NOTICE)

THIS DRAWING IS PROPERTY OF HUBBELL INC. WIEGMANN
 ALL INFORMATION IS PROPRIETARY AND NOT TO BE DUPLICATED