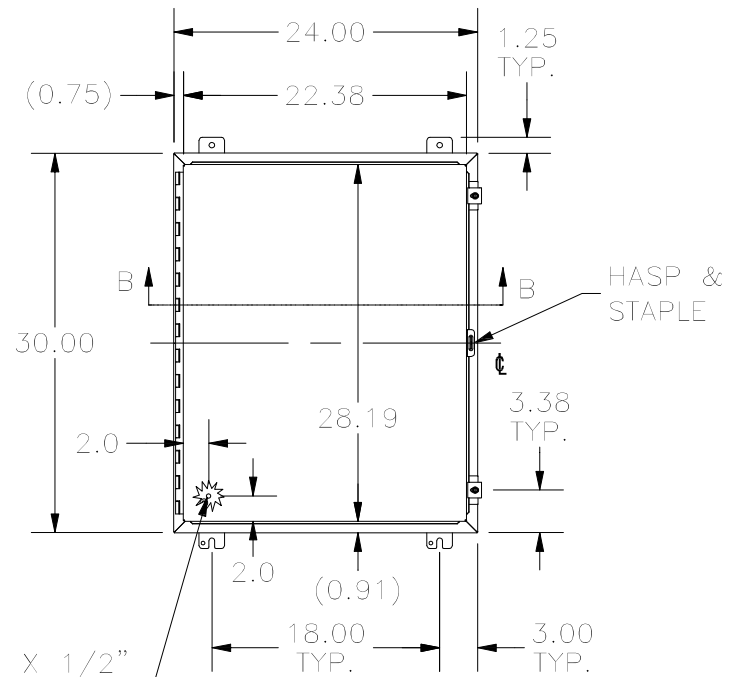


TOP VIEW

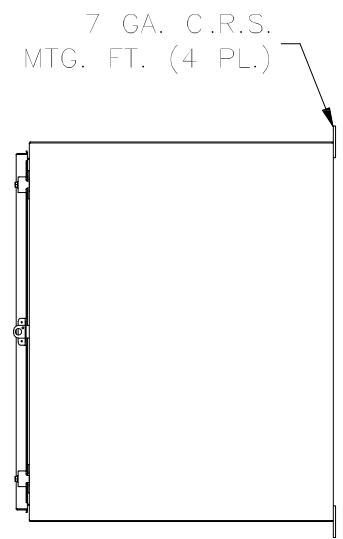
HOLD DOWN CLAMP



FRONT VIEW

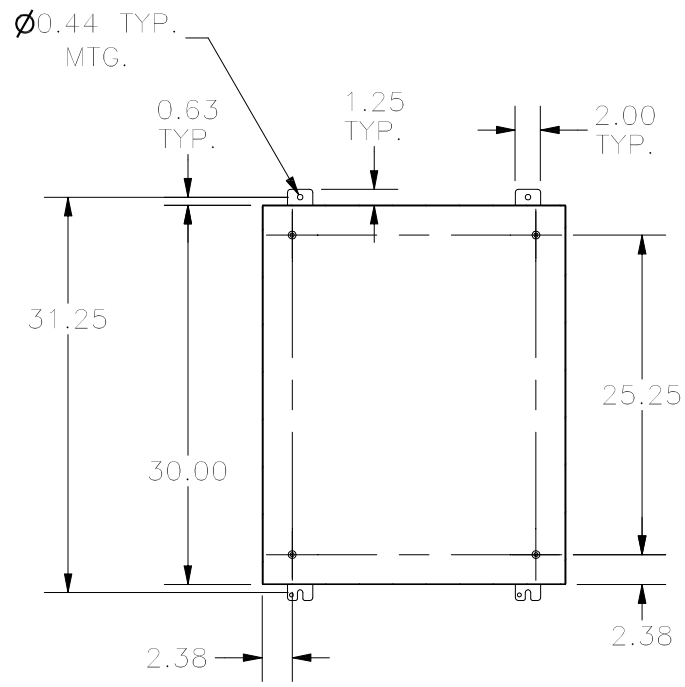
1/4-20 X 1/2" S.S. GND. STUD

HASP & STAPLE

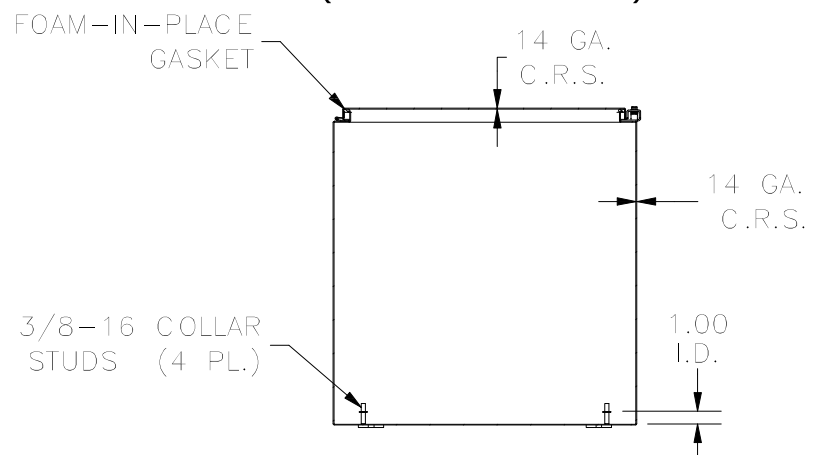


RIGHT SIDE

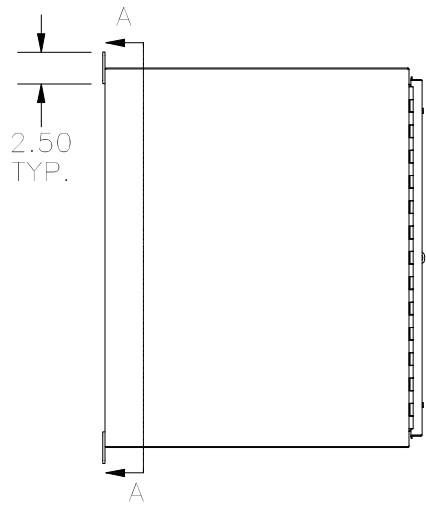
7 GA. C.R.S. MTG. FT. (4 PL.)



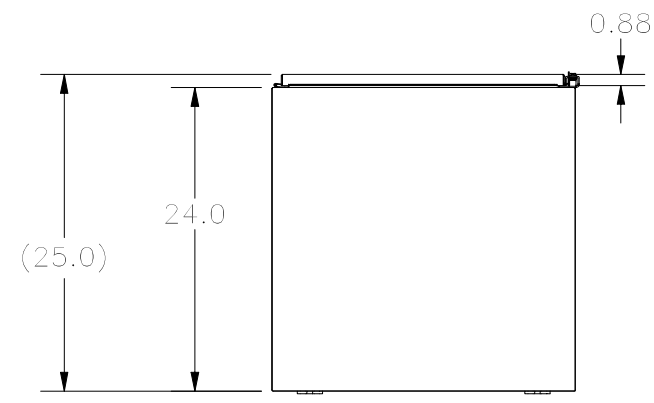
SECTION A-A (INSIDE BACK OF TUB)



SECTION B-B (INSIDE TOP OF ENCLOSURE)



LEFT SIDE



BOTTOM VIEW

PART#: N12302424
(DATA SUBJECT TO CHANGE WITHOUT NOTICE)

THIS DRAWING IS PROPERTY OF HUBBELL INC. WIEGMANN
ALL INFORMATION IS PROPRIETARY AND NOT TO BE DUPLICATED