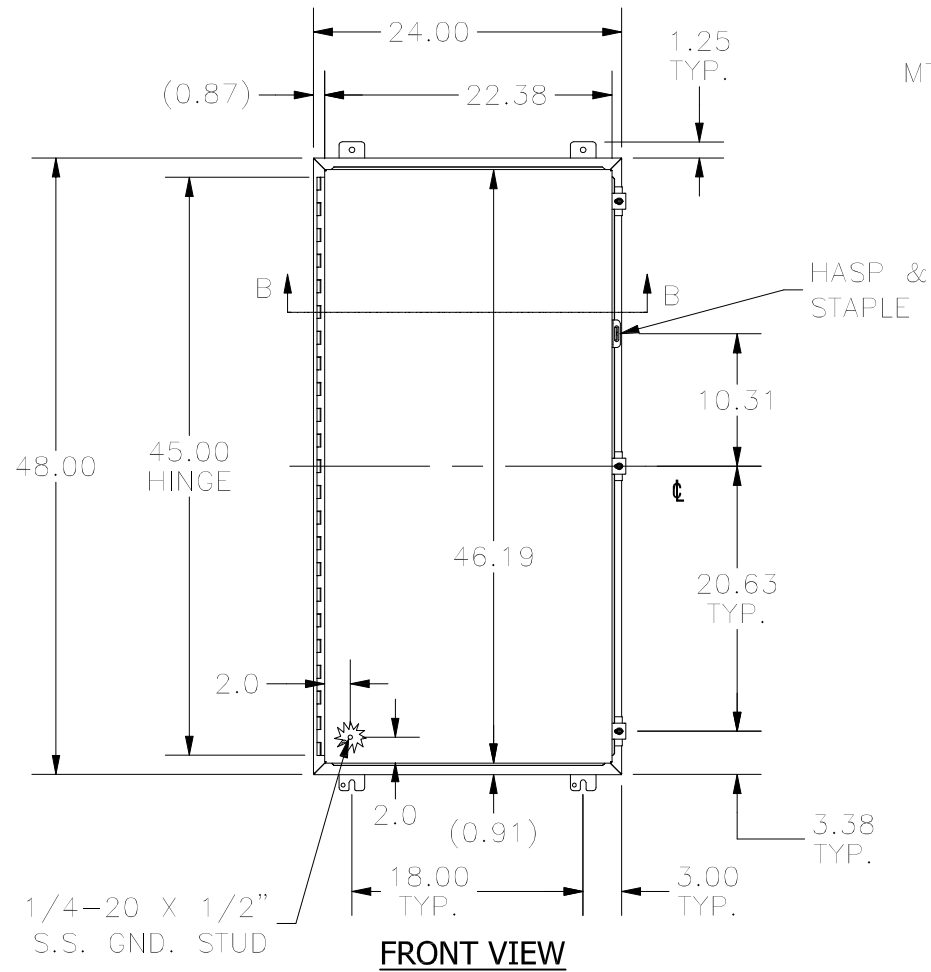
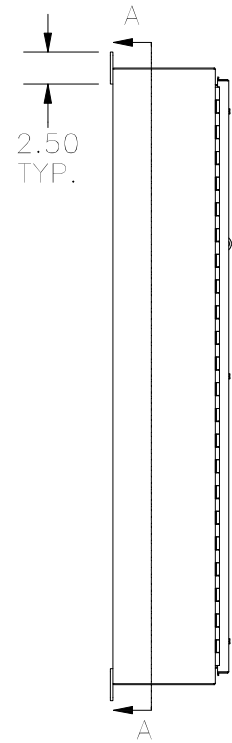


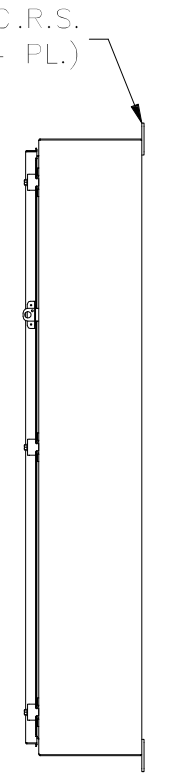
TOP VIEW



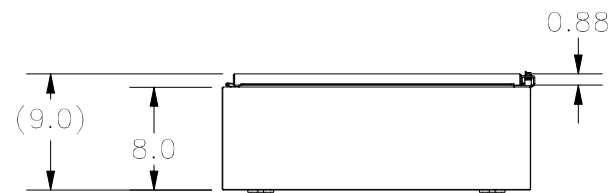
FRONT VIEW



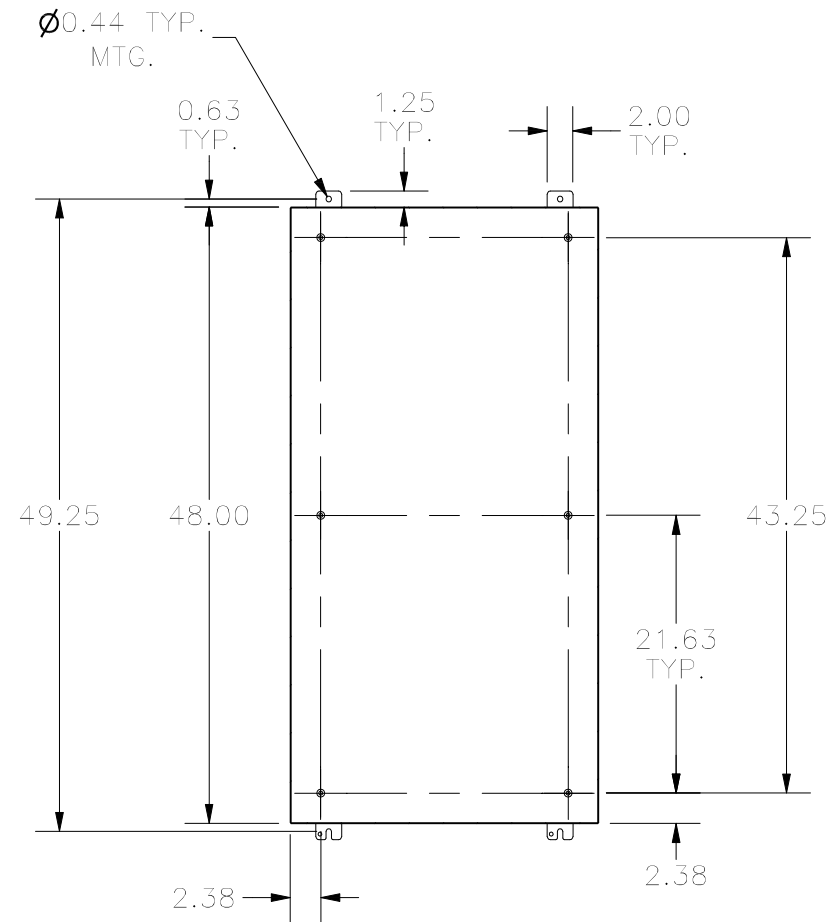
LEFT SIDE



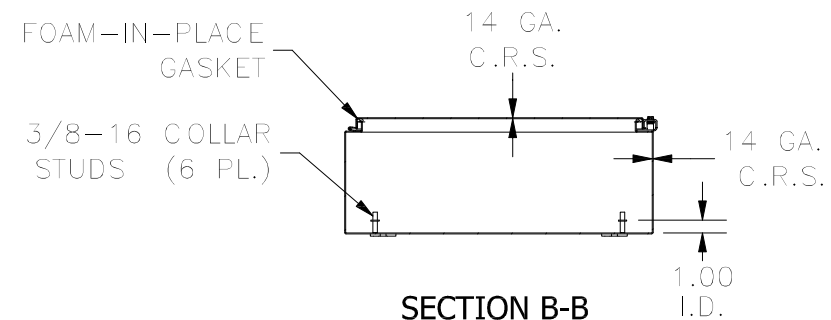
RIGHT SIDE



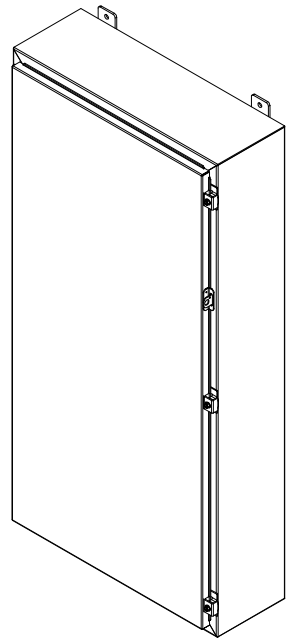
BOTTOM VIEW



**SECTION A-A
(INSIDE BACK OF TUB)**



**SECTION B-B
(INSIDE TOP OF ENCLOSURE)**



PART#: N12482408
(DATA SUBJECT TO CHANGE WITHOUT NOTICE)

THIS DRAWING IS PROPERTY OF HUBBELL INC. WIEGMANN
ALL INFORMATION IS PROPRIETARY AND NOT TO BE DUPLICATED