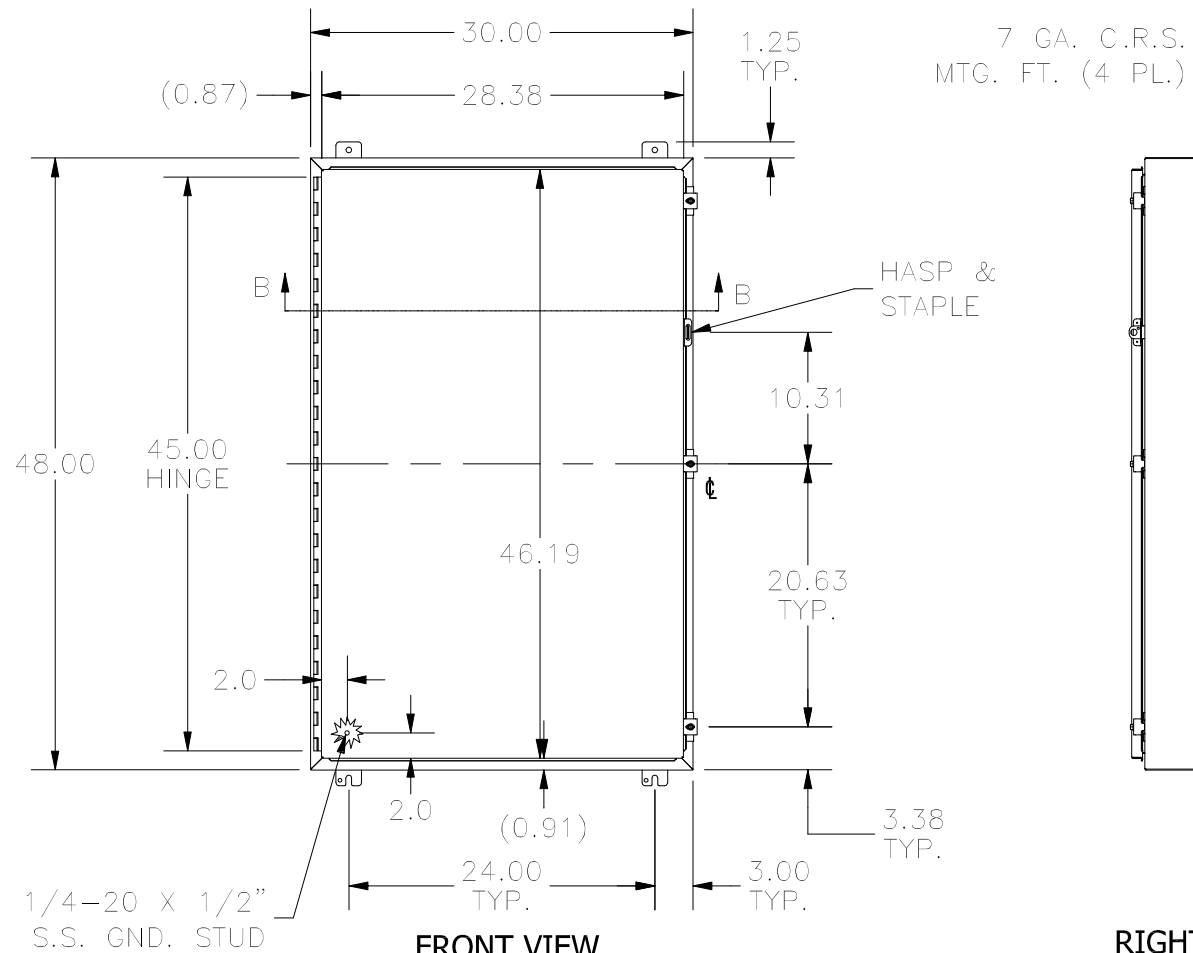
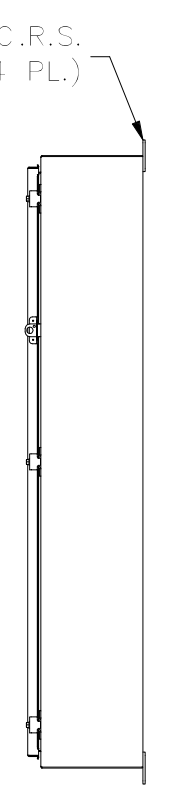


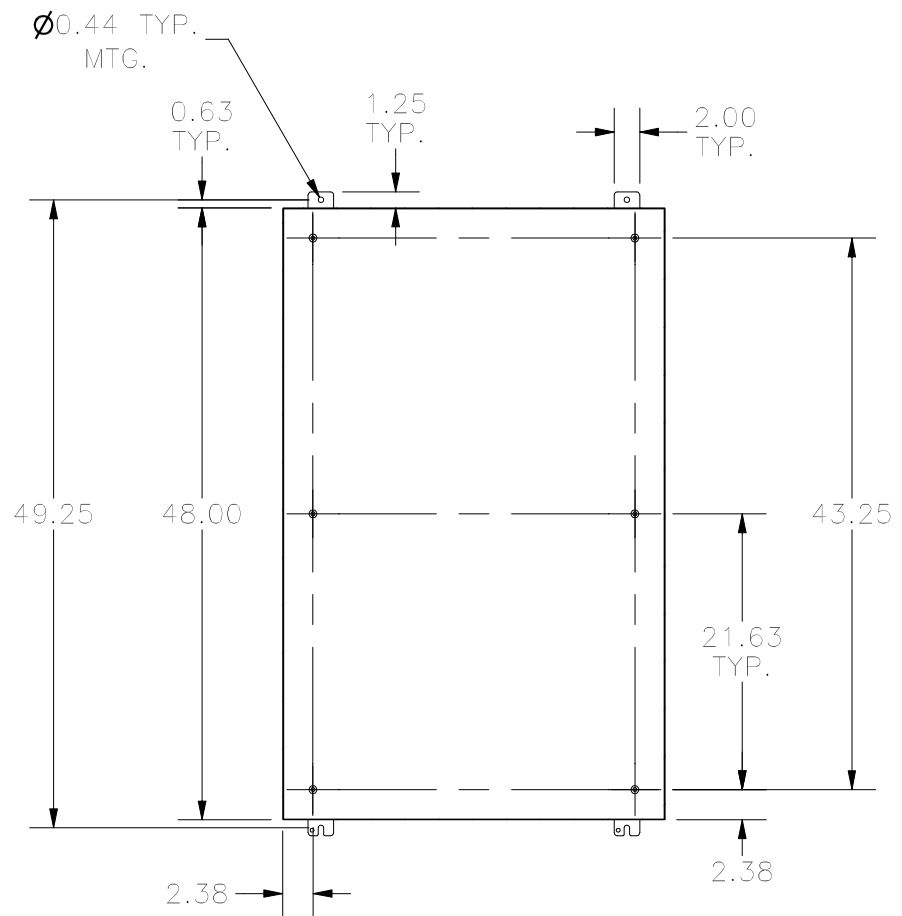
TOP VIEW



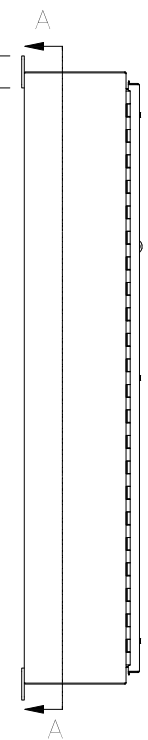
FRONT VIEW



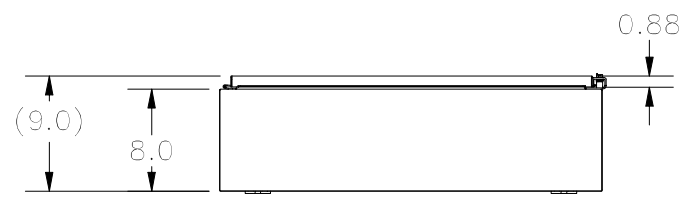
RIGHT SIDE



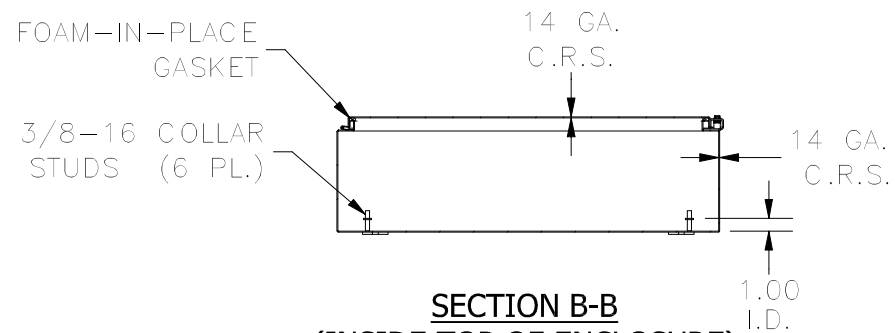
SECTION A-A  
(INSIDE BACK OF TUB)



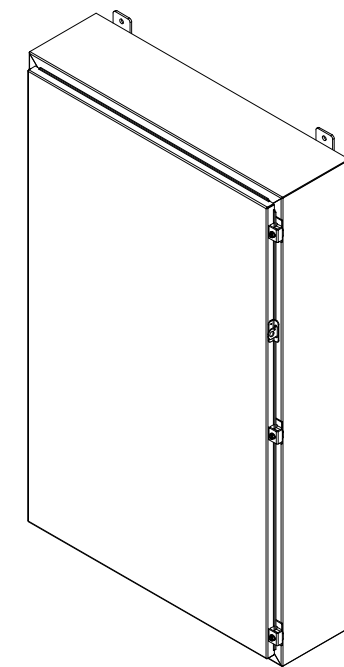
LEFT SIDE



BOTTOM VIEW



SECTION B-B  
(INSIDE TOP OF ENCLOSURE)



PART#: N12483008  
(DATA SUBJECT TO CHANGE WITHOUT NOTICE)

THIS DRAWING IS PROPERTY OF HUBBELL INC. WIEGMANN  
ALL INFORMATION IS PROPRIETARY AND NOT TO BE DUPLICATED