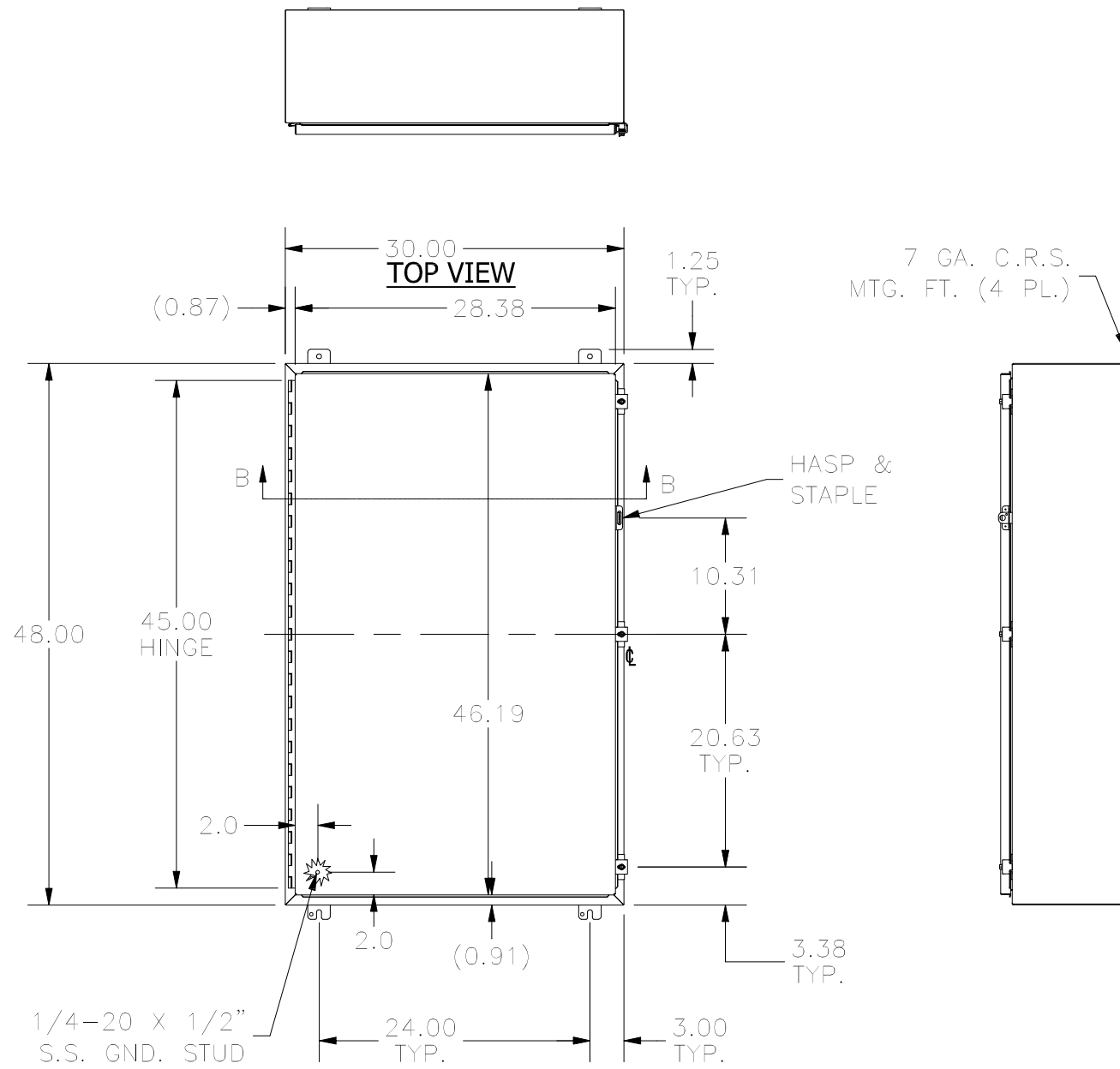
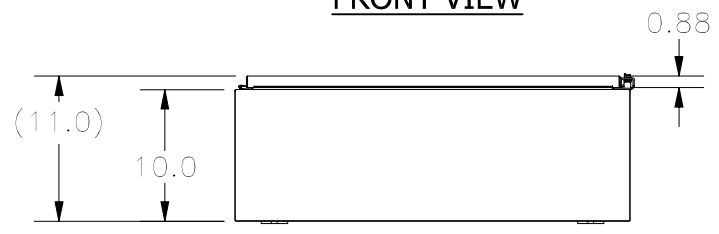


**LEFT SIDE**



**FRONT VIEW**

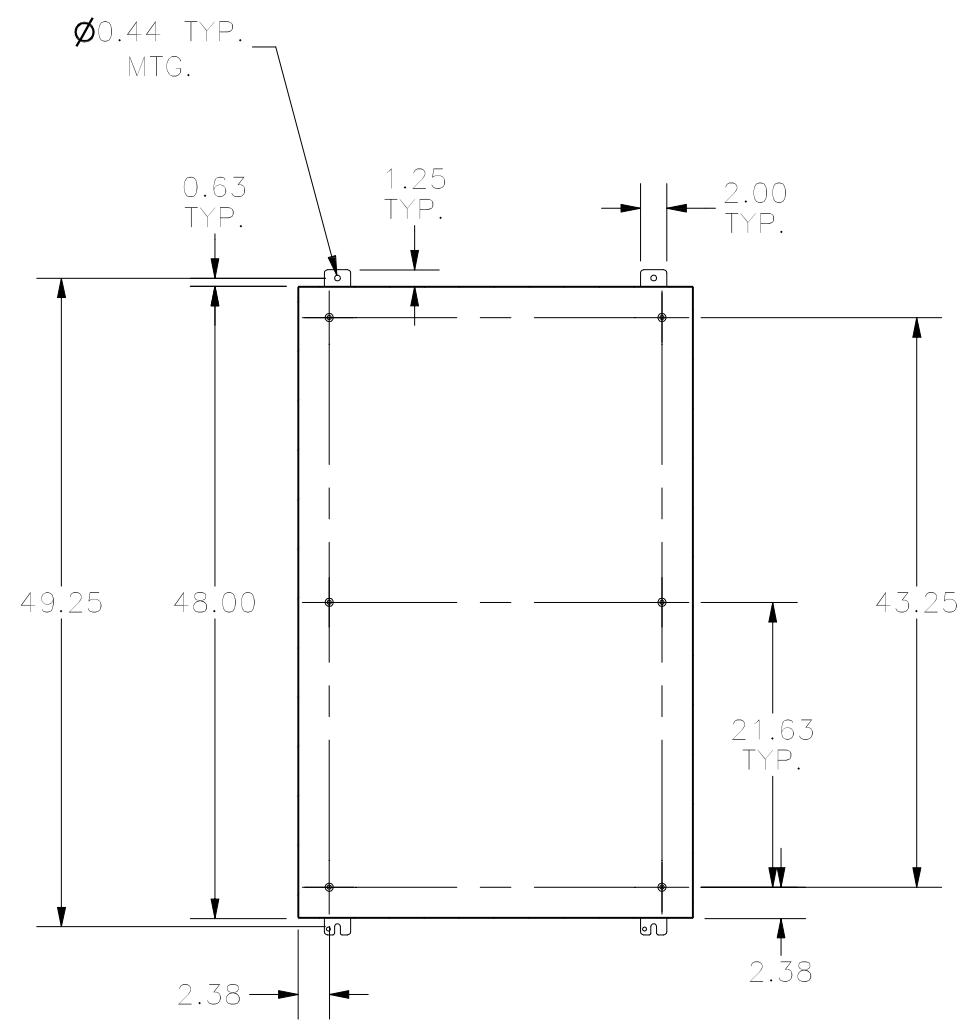


**BOTTOM VIEW**

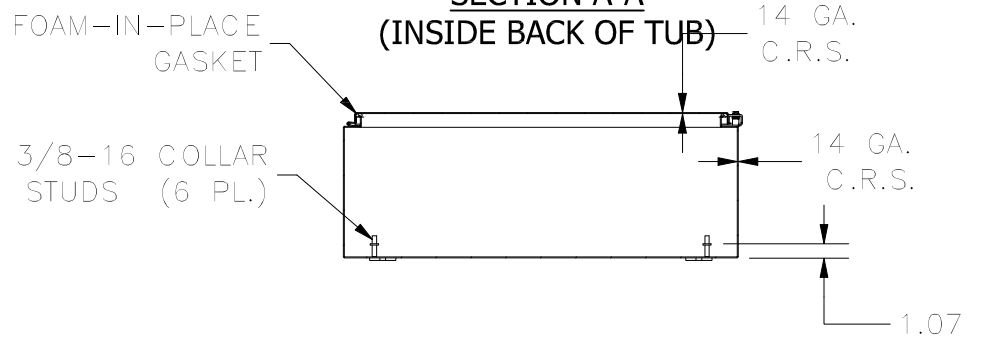
7 GA. C.R.S.  
MTG. FT. (4 PL.)

HASP &  
STAPLE

**RIGHT SIDE**



**SECTION A-A  
(INSIDE BACK OF TUB)**



**SECTION B-B  
(INSIDE TOP OF ENCLOSURE)**

PART#: N12483010  
(DATA SUBJECT TO CHANGE WITHOUT NOTICE)

THIS DRAWING IS PROPERTY OF HUBBELL INC. WIEGMANN  
ALL INFORMATION IS PROPRIETARY AND NOT TO BE DUPLICATED