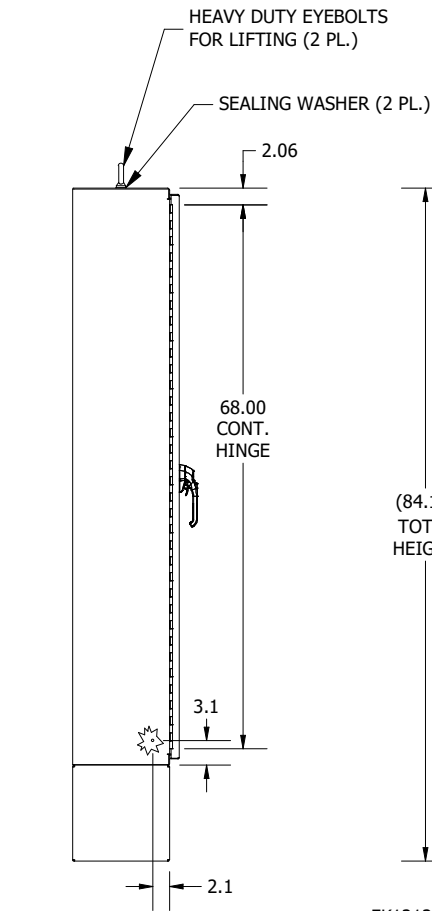
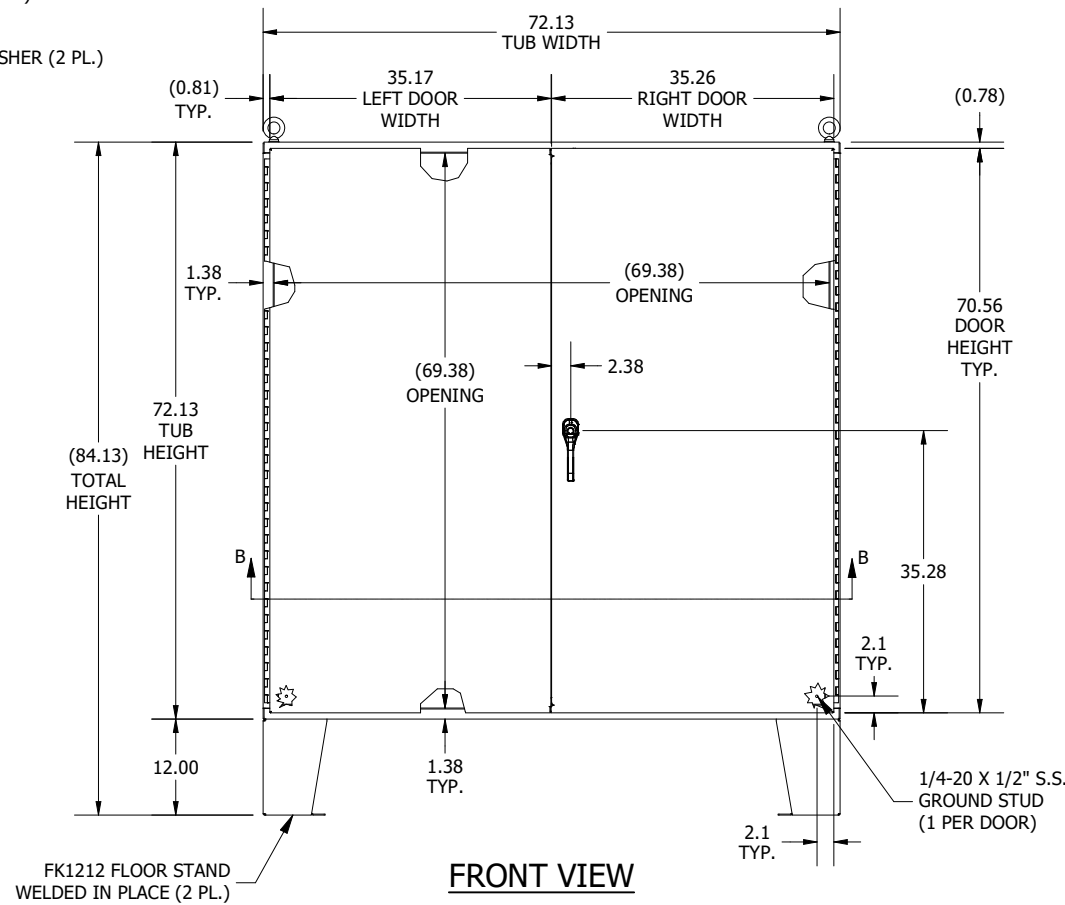


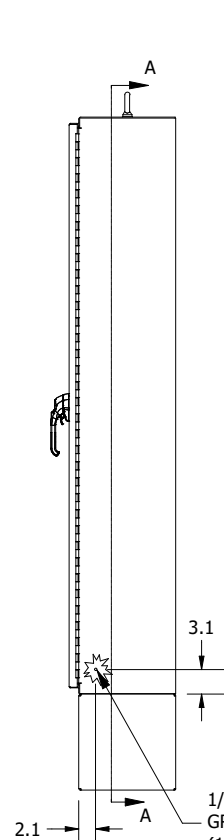
**TOP VIEW**



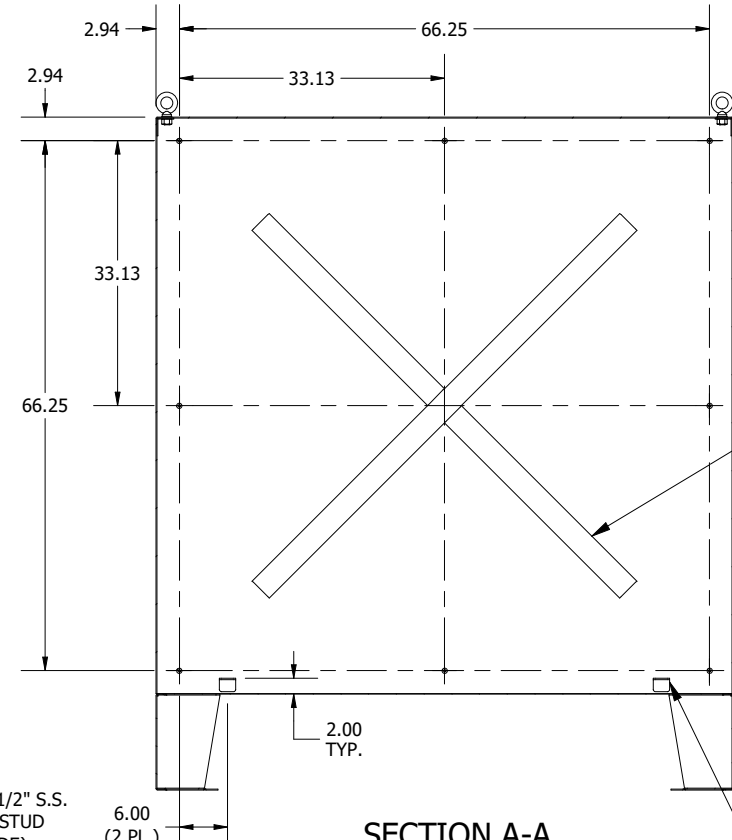
**LEFT SIDE VIEW**



**FRONT VIEW**



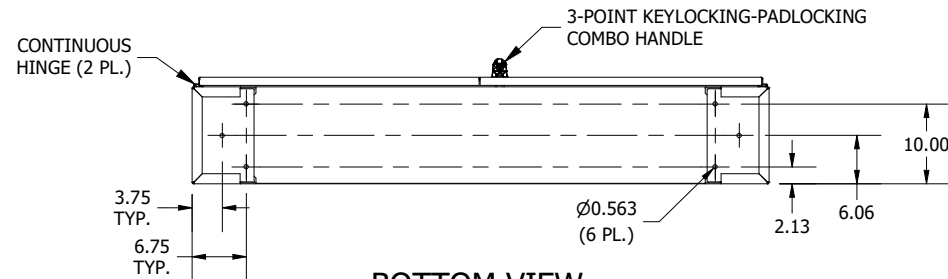
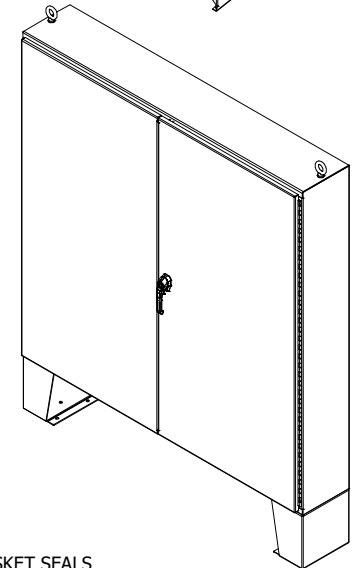
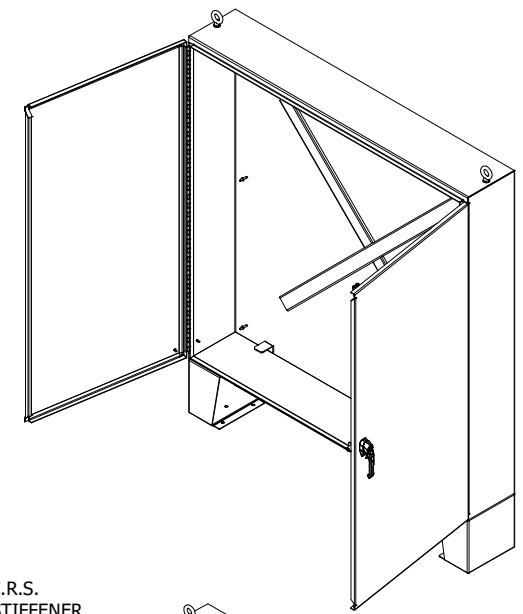
**RIGHT SIDE VIEW**



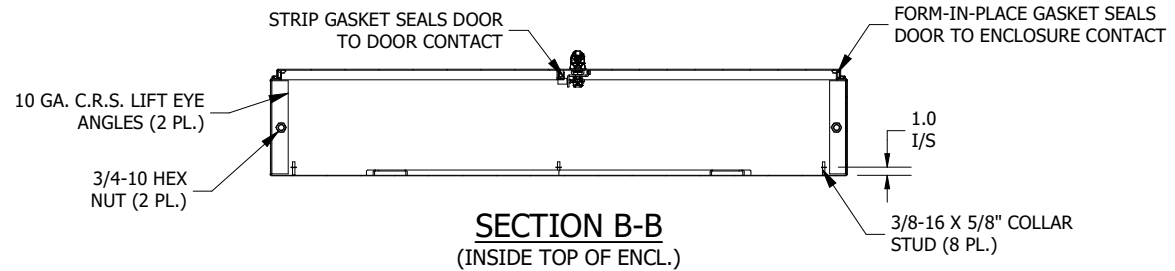
**SECTION A-A  
(INSIDE BACK OF ENCL.)**

10 GA. C.R.S. CROSS STIFFENER

7 GA. C.R.S. PANEL SUPPORT BRACKET (2 PL.)



**BOTTOM VIEW**



**SECTION B-B  
(INSIDE TOP OF ENCL.)**

**PART #:N12727212**  
 (DATA SUBJECT TO CHANGE WITHOUT NOTICE)  
 THIS DRAWING IS THE PROPERTY OF HUBBELL INC. WIEGMANN  
 ALL INFORMATION IS PROPRIETARY AND NOT TO BE DUPLICATED