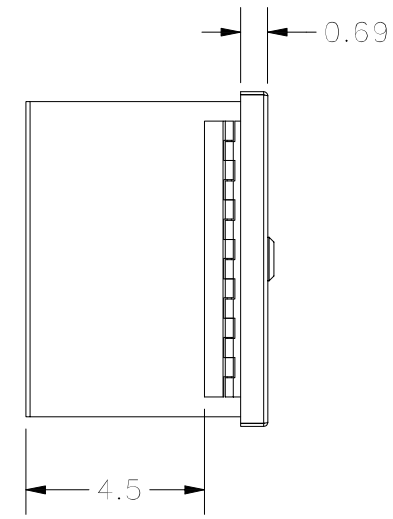
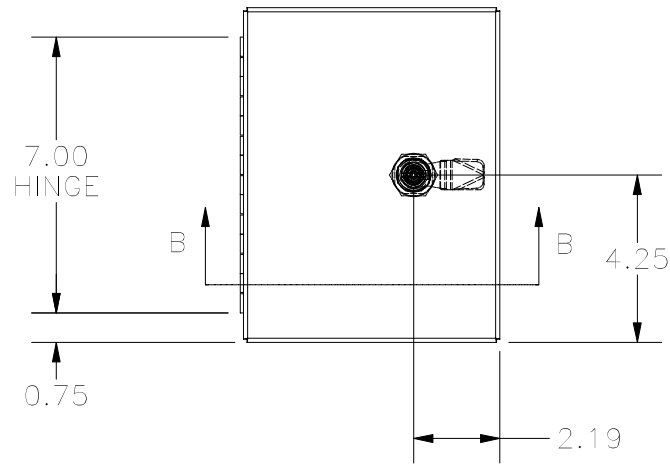


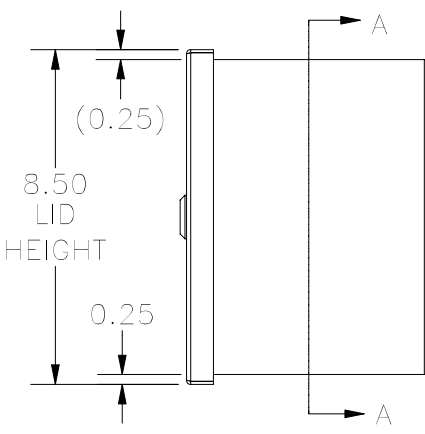
**TOP VIEW**  
QUARTER TURN  
SLOTTED FLUSH  
CAM LATCH  
INSTALLED



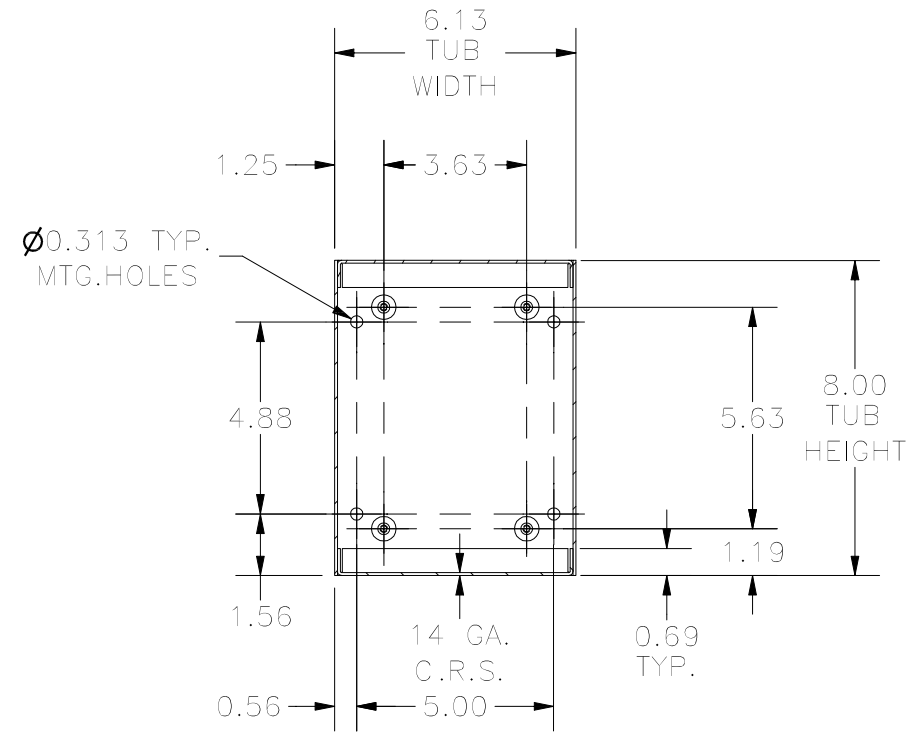
**LEFT SIDE VIEW**



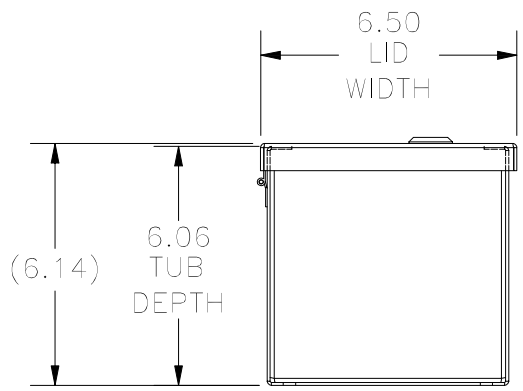
**FRONT VIEW**



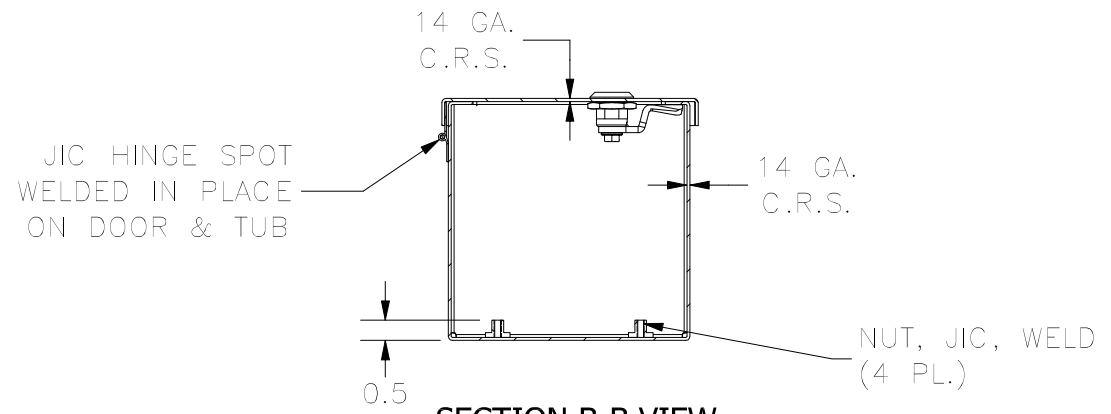
**RIGHT SIDE VIEW**



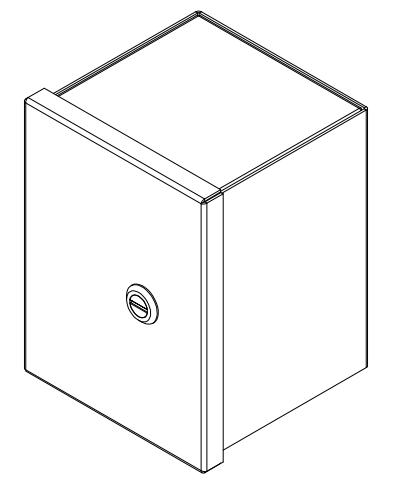
**SECTION A-A VIEW  
(INSIDE BACK OF ENCL.)**



**BOTTOM VIEW**



**SECTION B-B VIEW  
(INSIDE TOP OF ENCL.)**



PART#: N1C060806  
(DATA SUBJECT TO CHANGE WITHOUT NOTICE)

THIS DRAWING IS PROPERTY OF HUBBELL INC. WIEGMANN  
ALL INFORMATION IS PROPRIETARY AND NOT TO BE DUPLICATED