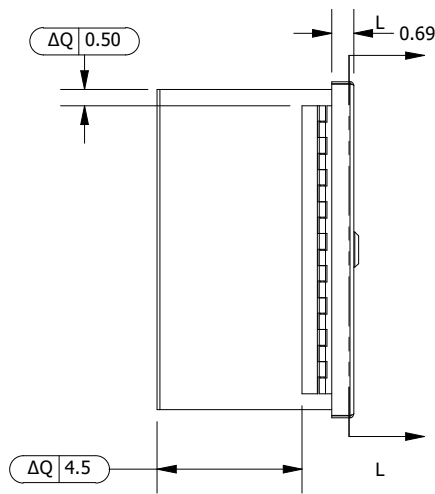
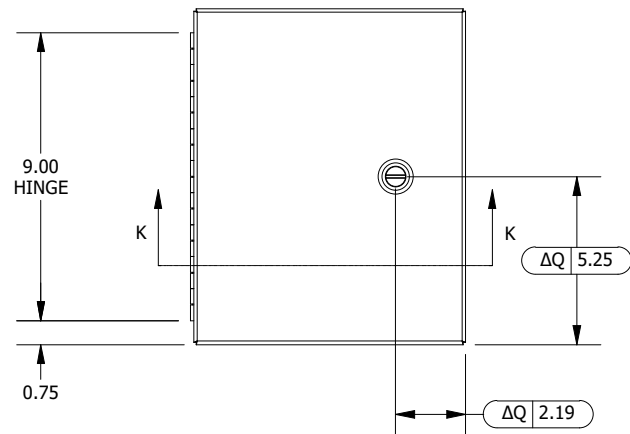


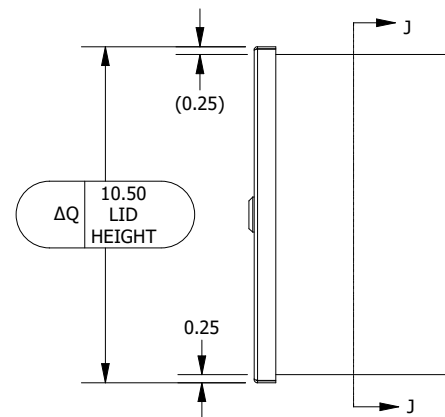
SECTION L-L
(CERTIFICATION LABEL VIEW FOR REF.)
(FOR LABEL DETAILS, SEE HWDN1C_SMALL_LABELS)



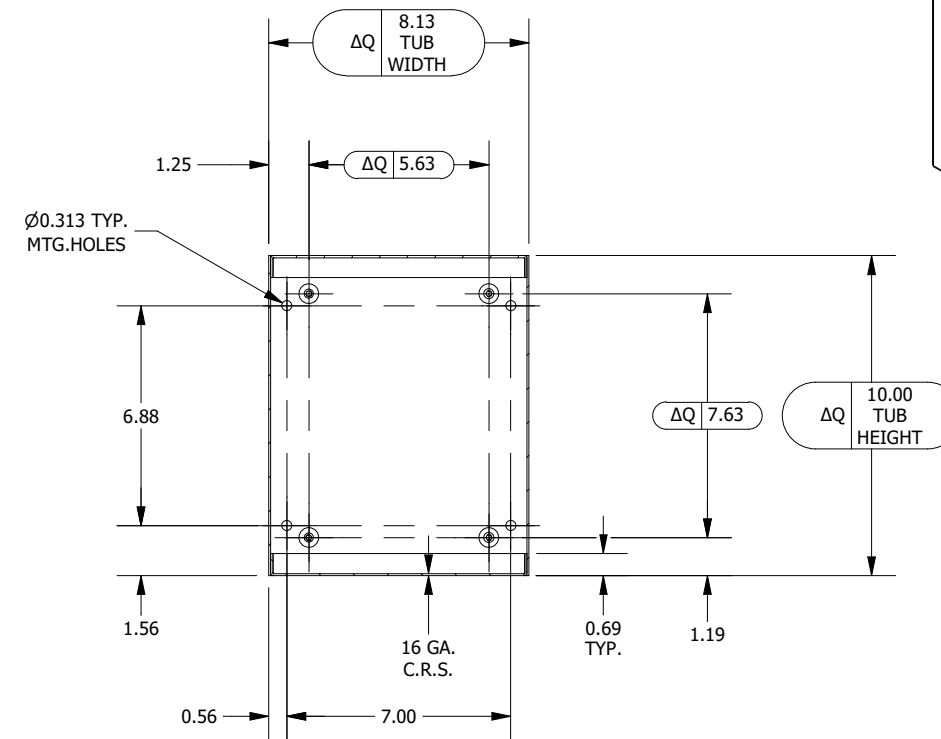
LEFT SIDE VIEW



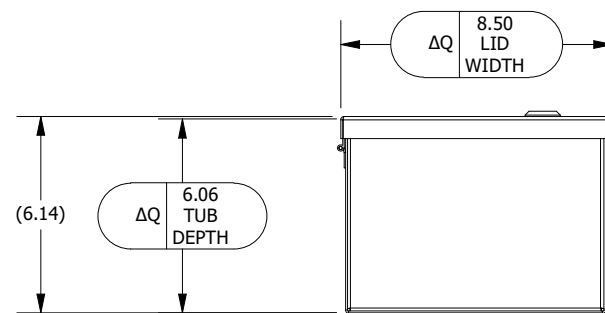
FRONT VIEW



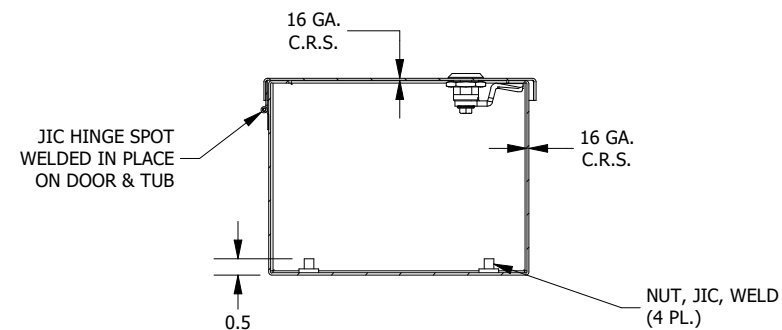
RIGHT SIDE VIEW



SECTION J-J VIEW
(INSIDE BACK OF ENCL.)



BOTTOM VIEW



SECTION K-K VIEW
(INSIDE TOP OF ENCL.)

PART #:N1C081006
(DATA SUBJECT TO CHANGE WITHOUT NOTICE)
THIS DRAWING IS THE PROPERTY OF HUBBELL INC. WIEGMANN
ALL INFORMATION IS PROPRIETARY AND NOT TO BE DUPLICATED