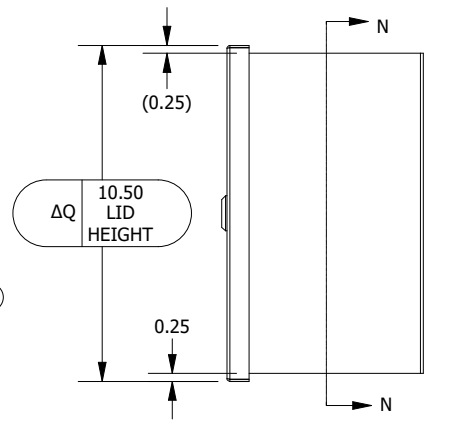
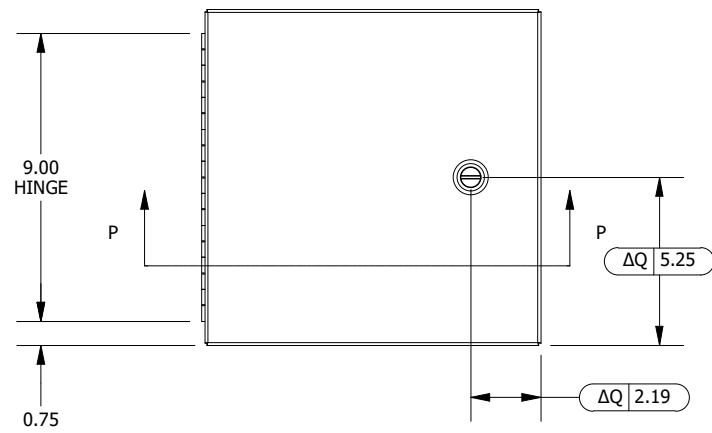
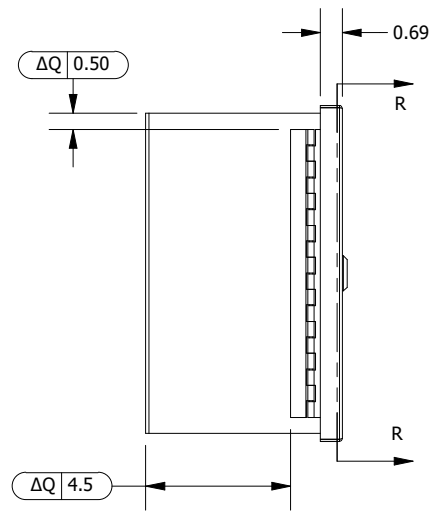
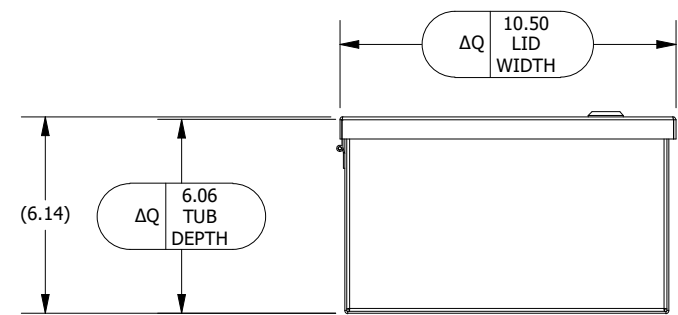
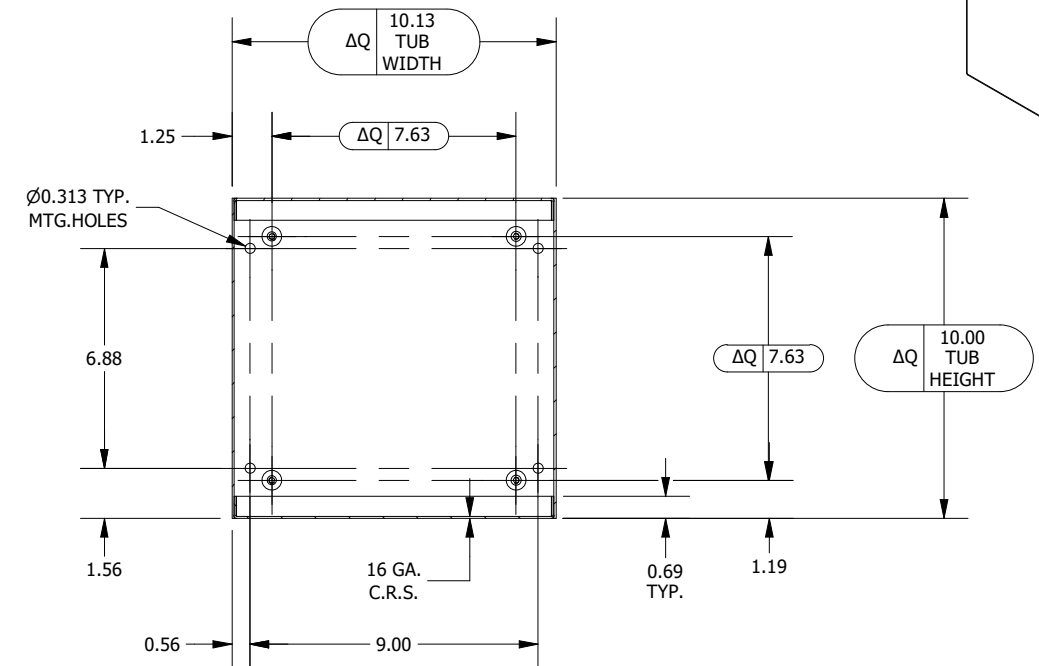


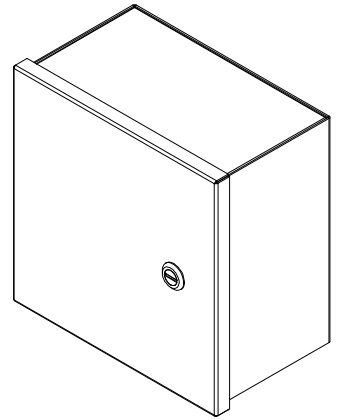
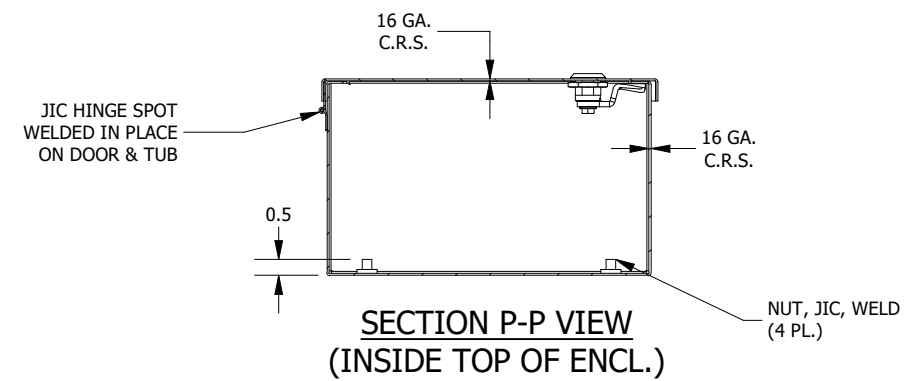
SECTION R-R
(CERTIFICATION LABEL VIEW FOR REF.)
(FOR LABEL DETAILS, SEE HWDN1C_SMALL_LABELS)



RIGHT SIDE VIEW



BOTTOM VIEW



PART #:N1C101006
(DATA SUBJECT TO CHANGE WITHOUT NOTICE)
THIS DRAWING IS THE PROPERTY OF HUBBELL INC. WIEGMANN
ALL INFORMATION IS PROPRIETARY AND NOT TO BE DUPLICATED