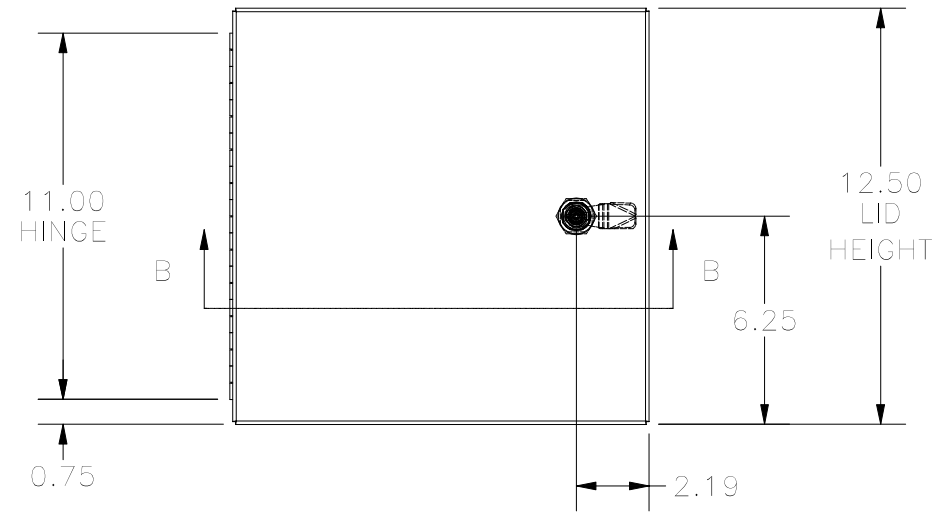
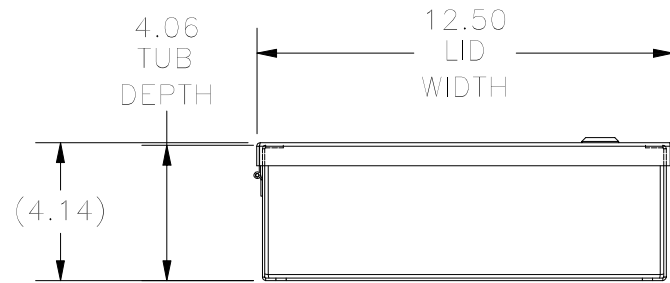


QUARTER TURN  
SLOTTED FLUSH  
CAM LATCH  
INSTALLED

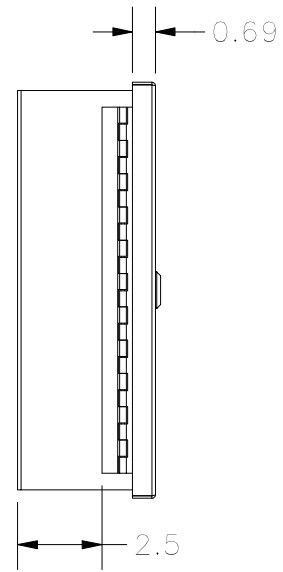
**TOP VIEW**



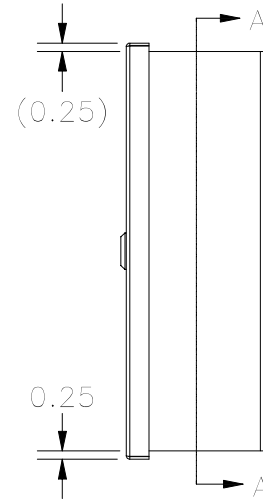
**FRONT VIEW**



**BOTTOM VIEW**

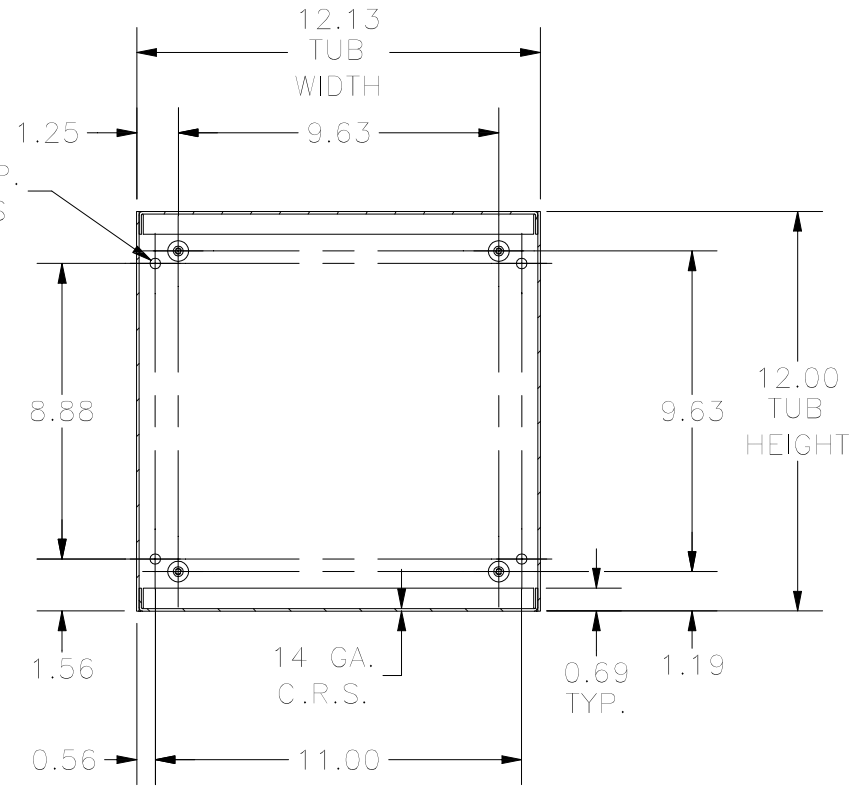


**LEFT SIDE VIEW**

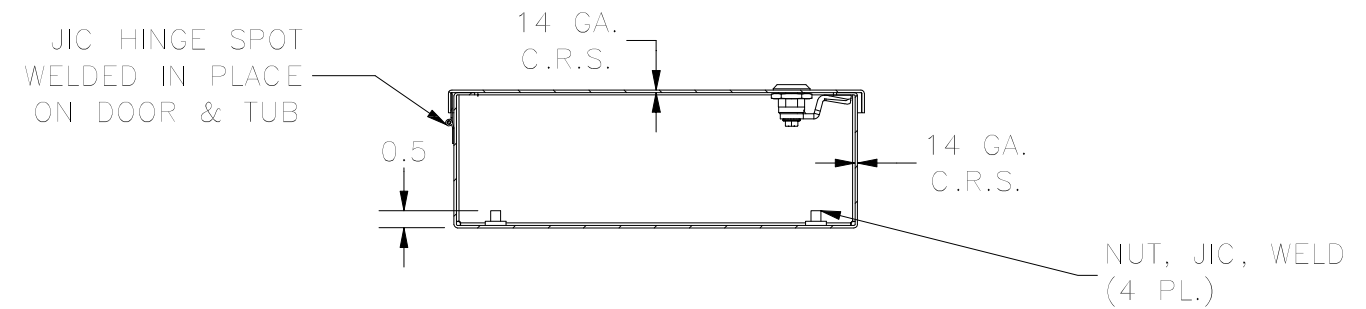


**RIGHT SIDE VIEW**

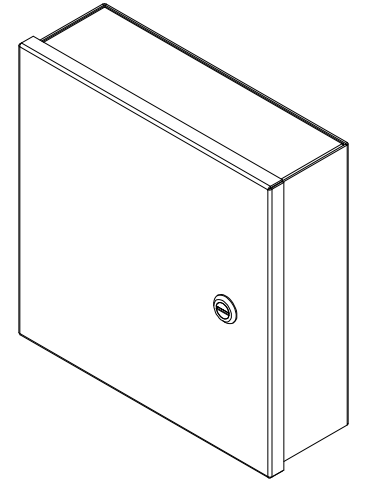
Ø0.313 TYP.  
MTG.HOLES



**SECTION A-A VIEW  
(INSIDE BACK OF ENCL.)**



**SECTION B-B VIEW  
(INSIDE TOP OF ENCL.)**



PART#: N1C121204  
(DATA SUBJECT TO CHANGE WITHOUT NOTICE)

THIS DRAWING IS PROPERTY OF HUBBELL INC. WIEGMANN  
ALL INFORMATION IS PROPRIETARY AND NOT TO BE DUPLICATED