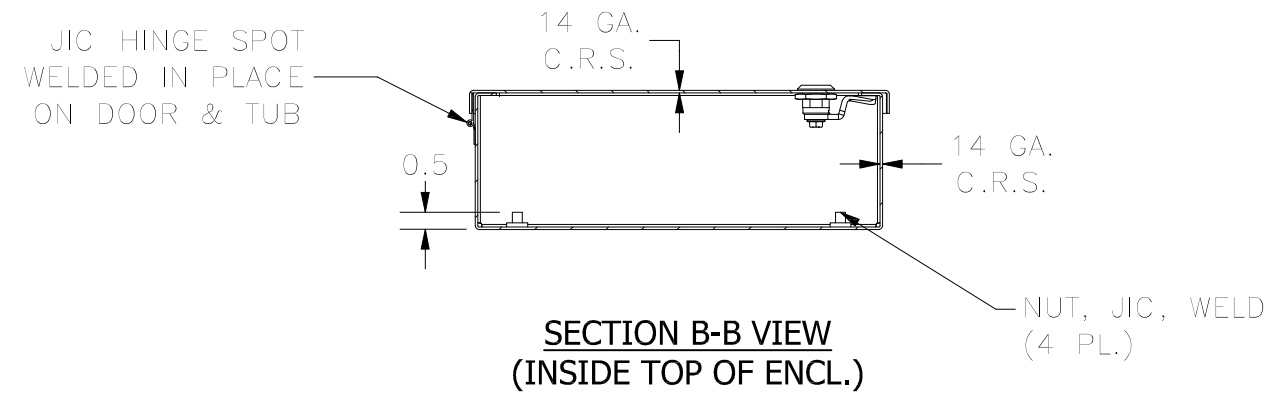
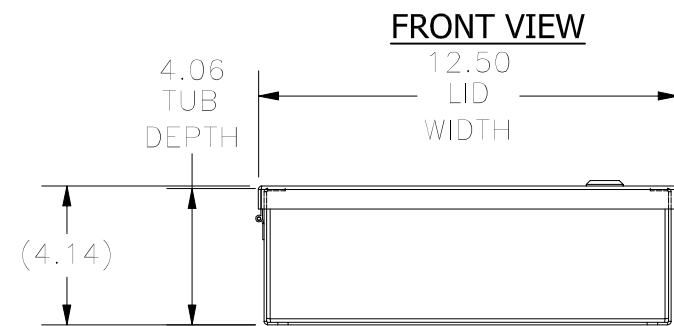


SECTION A-A VIEW  
(INSIDE BACK OF ENCL.)

RIGHT SIDE VIEW



PART#: N1C121404  
(DATA SUBJECT TO CHANGE WITHOUT NOTICE)

THIS DRAWING IS PROPERTY OF HUBBELL INC. WIEGMANN  
ALL INFORMATION IS PROPRIETARY AND NOT TO BE DUPLICATED