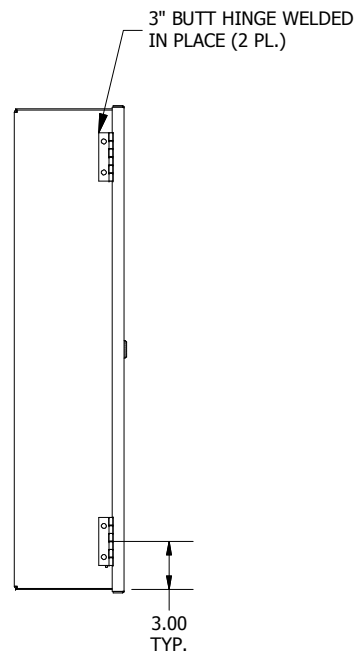
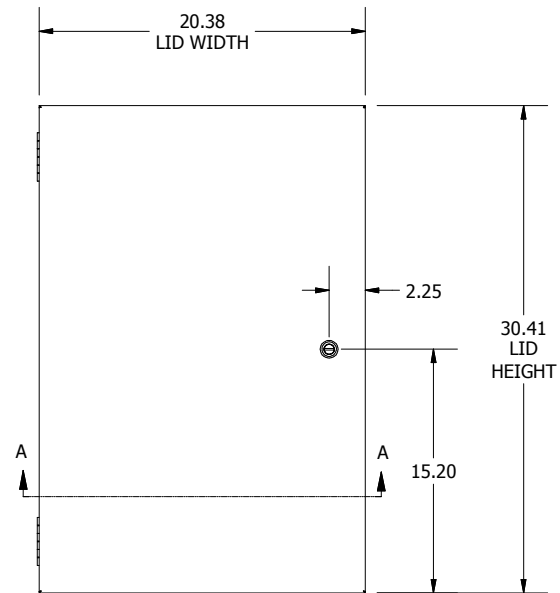


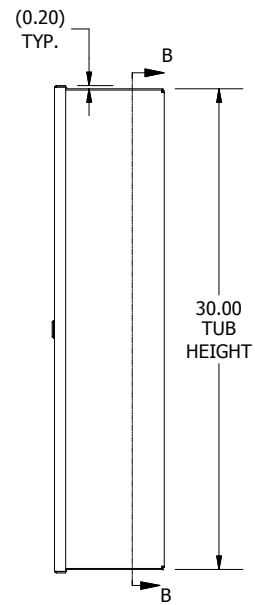
TOP VIEW



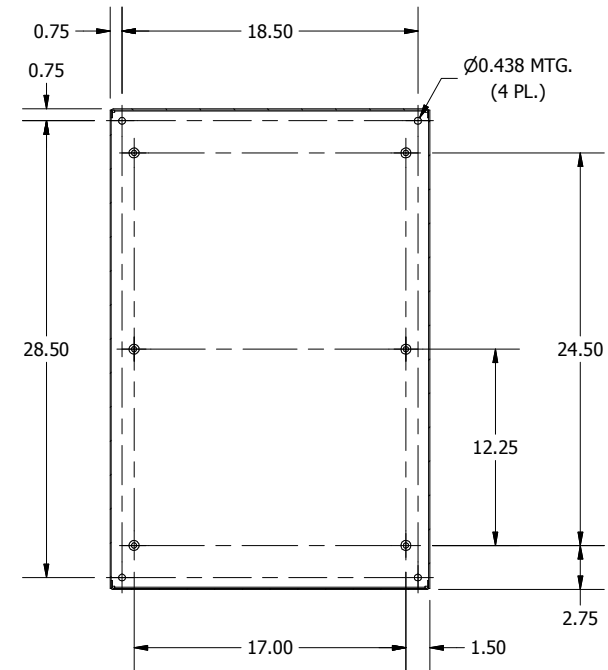
LEFT SIDE VIEW



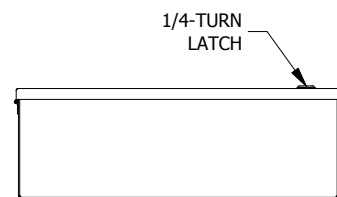
FRONT VIEW



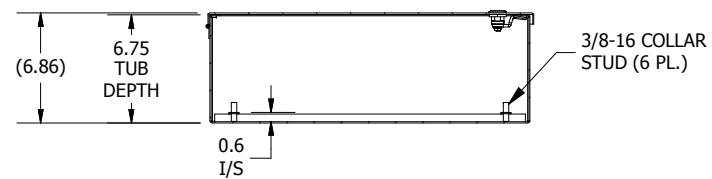
RIGHT SIDE VIEW



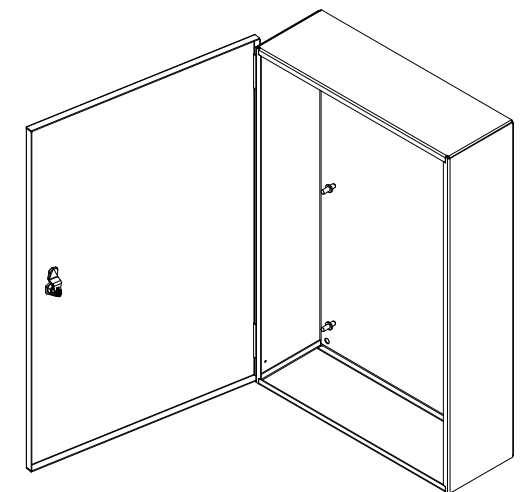
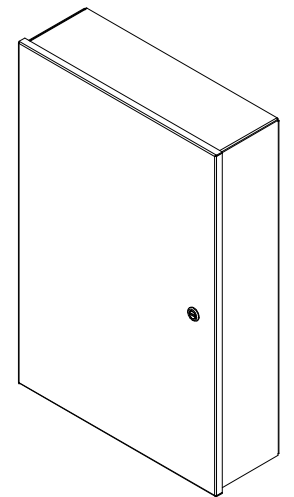
SECTION B-B  
(INSIDE BACK OF ENCL.)



BOTTOM VIEW



SECTION A-A  
(INSIDE TOP OF ENCL.)



**PART#: HWDN1C203006LP**  
**(DATA SUBJECT TO CHANGE WITHOUT NOTICE)**

THIS DRAWING IS PROPERTY OF HUBBELL INC. WIEGMANN  
 ALL INFORMATION IS PROPRIETARY AND NOT TO BE DUPLICATED