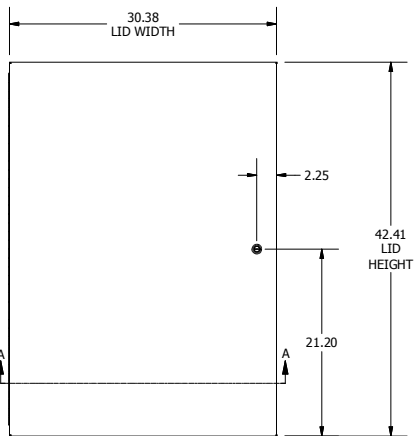
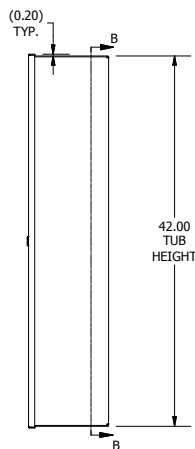


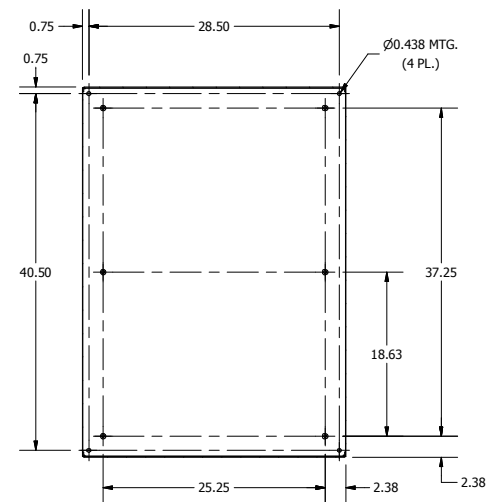
TOP VIEW



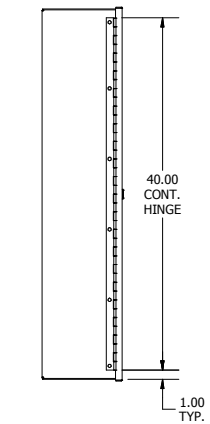
FRONT VIEW



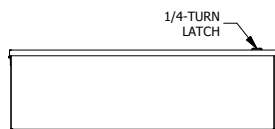
RIGHT SIDE VIEW



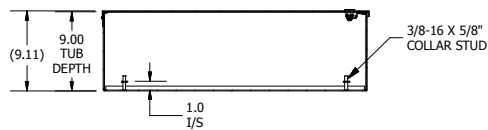
SECTION B-B  
(INSIDE BACK OF ENCL.)



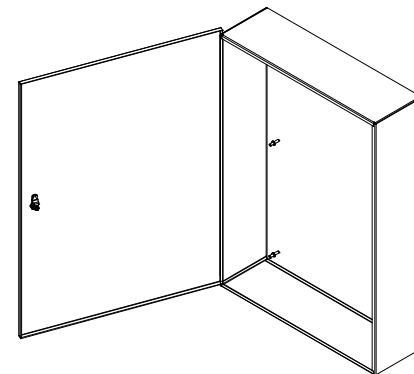
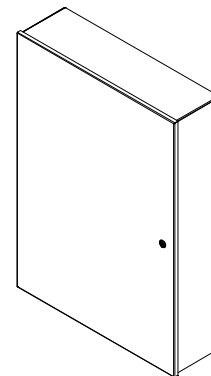
LEFT SIDE VIEW



BOTTOM VIEW



SECTION A-A  
(INSIDE TOP OF ENCL.)



PART#: N1C304209  
(DATA SUBJECT TO CHANGE WITHOUT NOTICE)

THIS DRAWING IS PROPERTY OF HUBBELL INC. WIEGMANN  
ALL INFORMATION IS PROPRIETARY AND NOT TO BE DUPLICATED