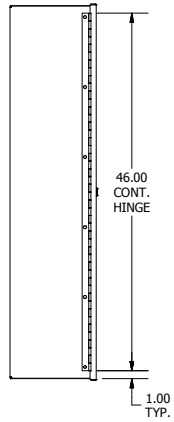
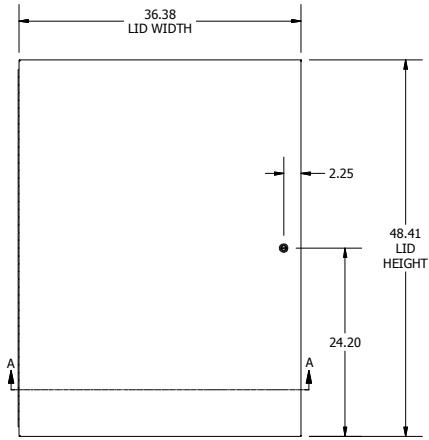


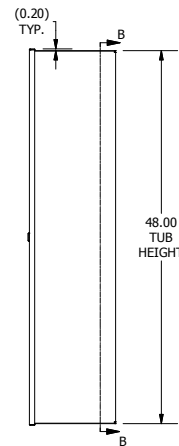
TOP VIEW



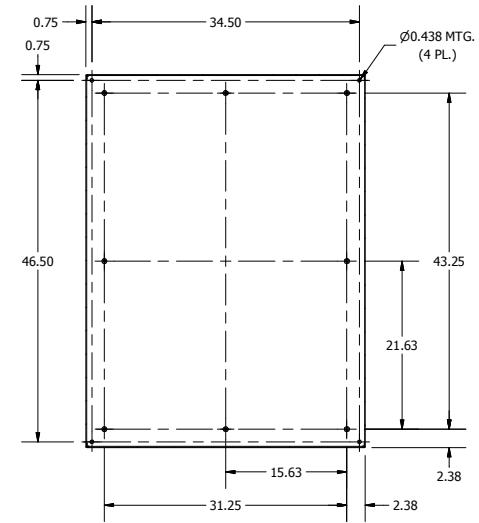
LEFT SIDE VIEW



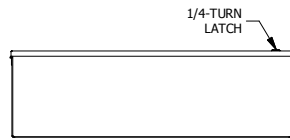
FRONT VIEW



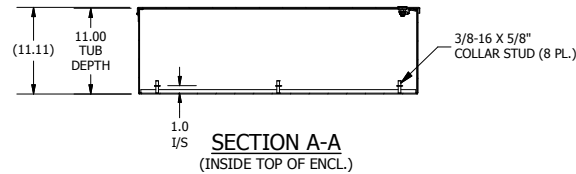
RIGHT SIDE VIEW



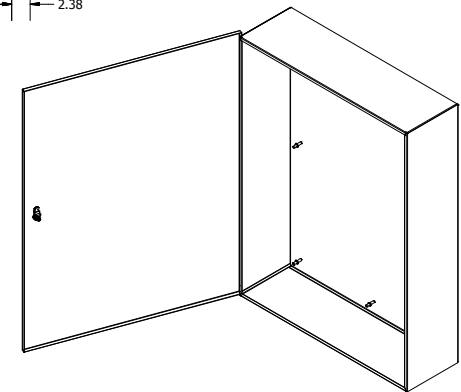
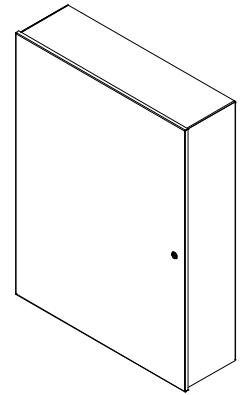
**SECTION B-B
(INSIDE BACK OF ENCL.)**



BOTTOM VIEW



**SECTION A-A
(INSIDE TOP OF ENCL.)**



PART#: N1C364811
(DATA SUBJECT TO CHANGE WITHOUT NOTICE)

THIS DRAWING IS PROPERTY OF HUBBELL INC. WIEGMANN
ALL INFORMATION IS PROPRIETARY AND NOT TO BE DUPLICATED