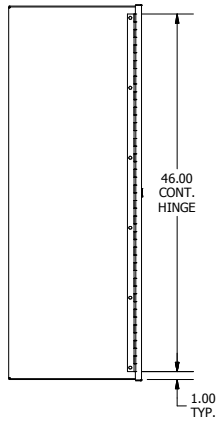
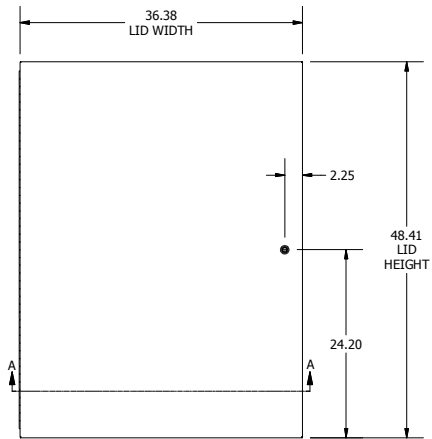


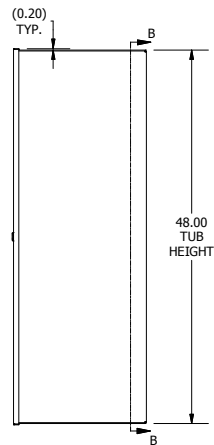
TOP VIEW



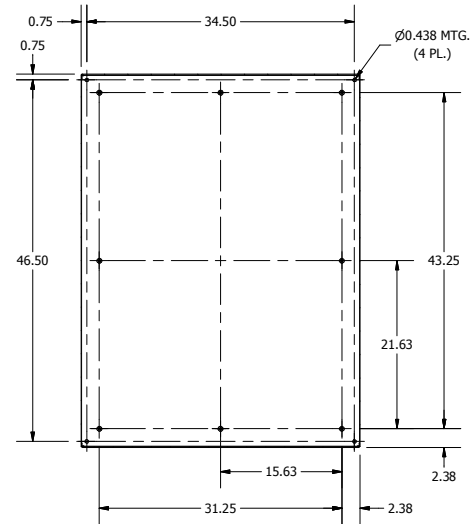
LEFT SIDE VIEW



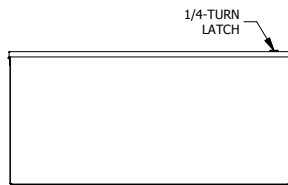
FRONT VIEW



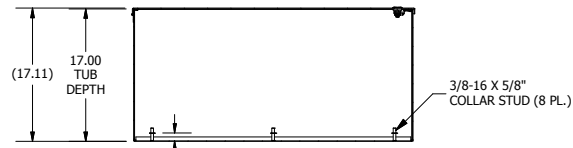
RIGHT SIDE VIEW



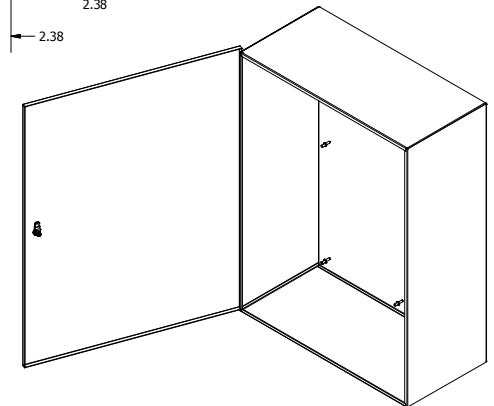
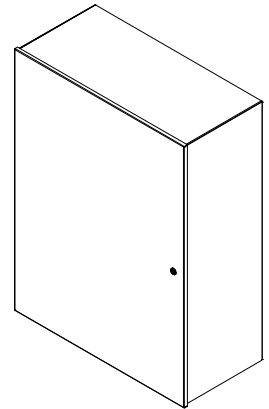
SECTION B-B  
(INSIDE BACK OF ENCL.)



BOTTOM VIEW



SECTION A-A  
(INSIDE TOP OF ENCL.)



PART#: N1C364817  
(DATA SUBJECT TO CHANGE WITHOUT NOTICE)

THIS DRAWING IS PROPERTY OF HUBBELL INC. WIEGMANN  
ALL INFORMATION IS PROPRIETARY AND NOT TO BE DUPLICATED