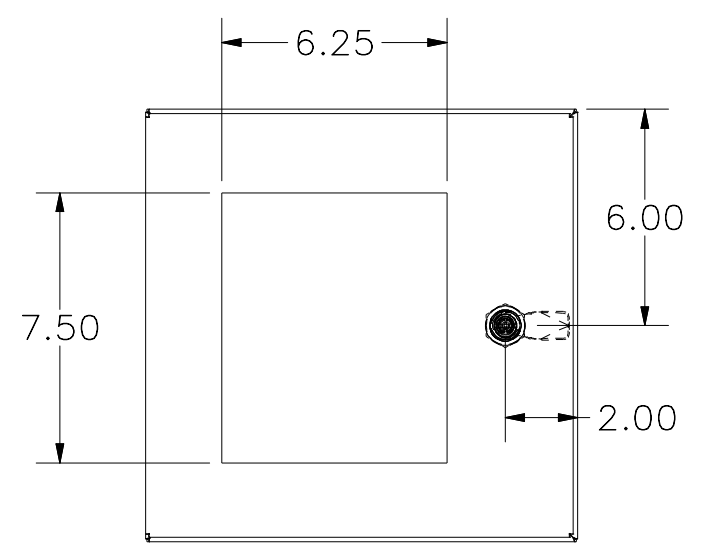
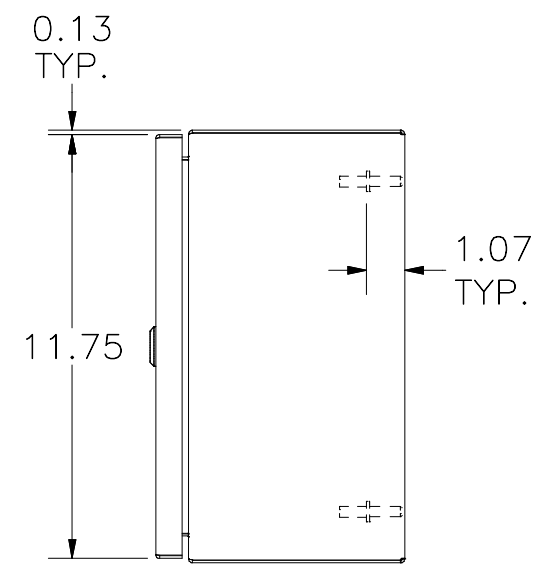


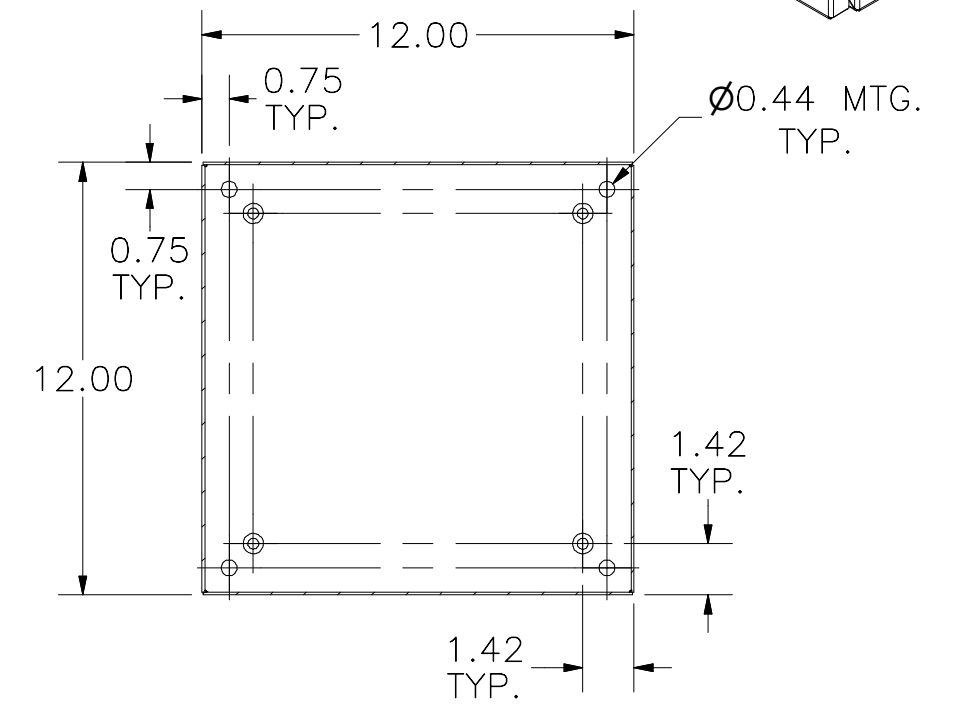
LEFT SIDE VIEW



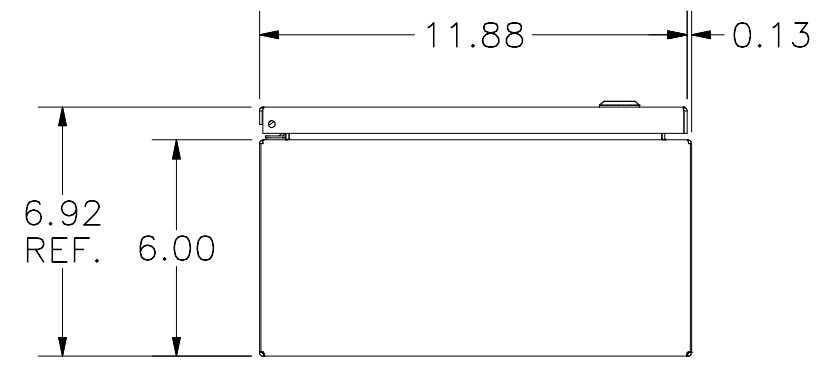
FRONT VIEW



RIGHT SIDE VIEW



SECTION A-A  
(INSIDE BACK OF ENCLOSURE)



BOTTOM VIEW

PART#: N412121206WCLG  
(DATA SUBJECT TO CHANGE WITHOUT NOTICE)