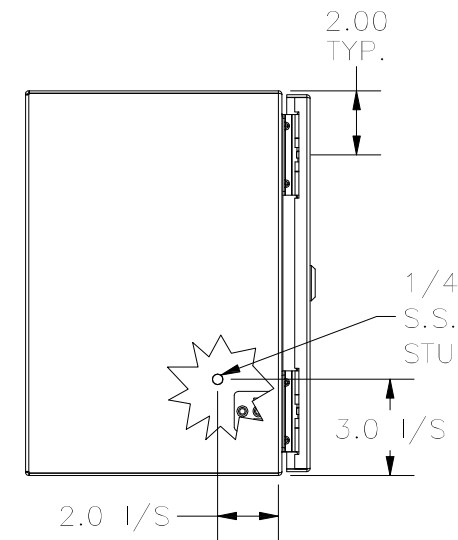
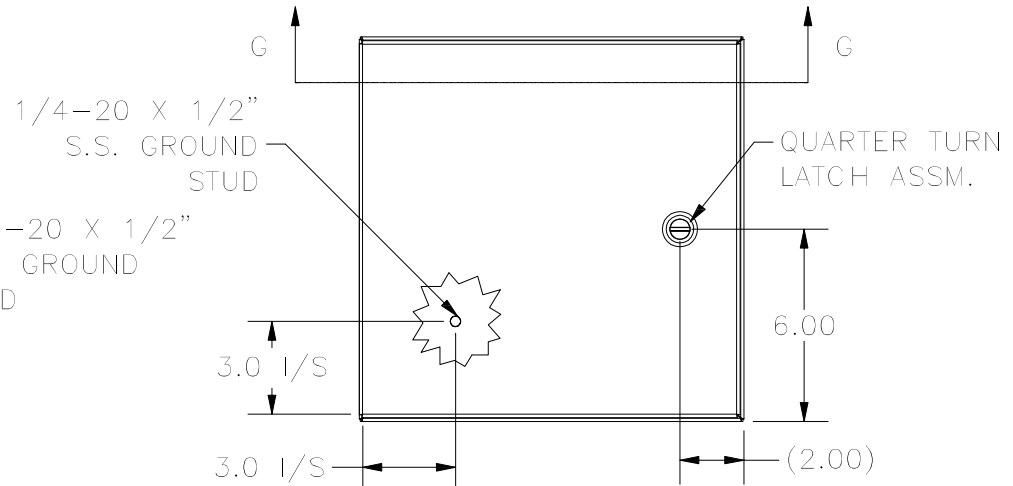


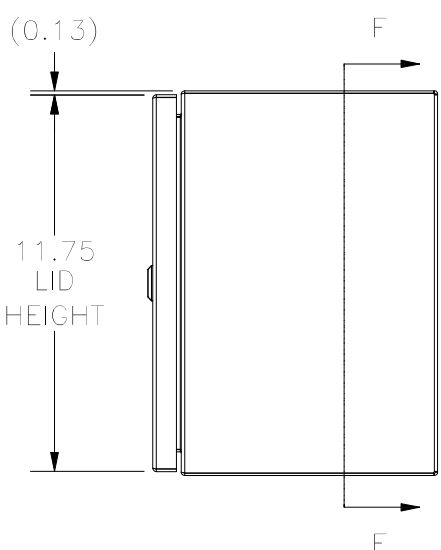
TOP VIEW



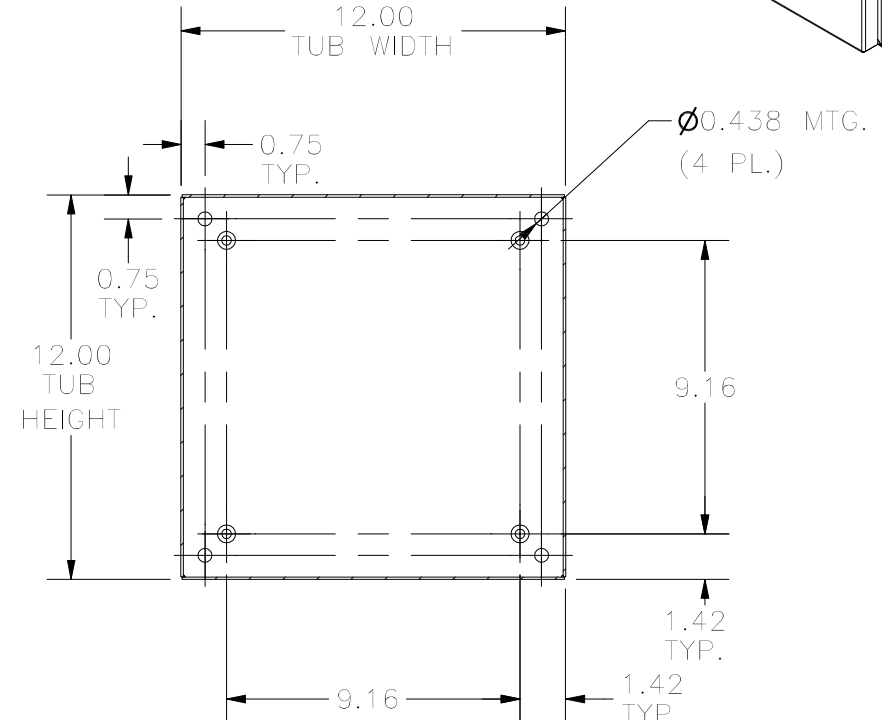
LEFT SIDE VIEW



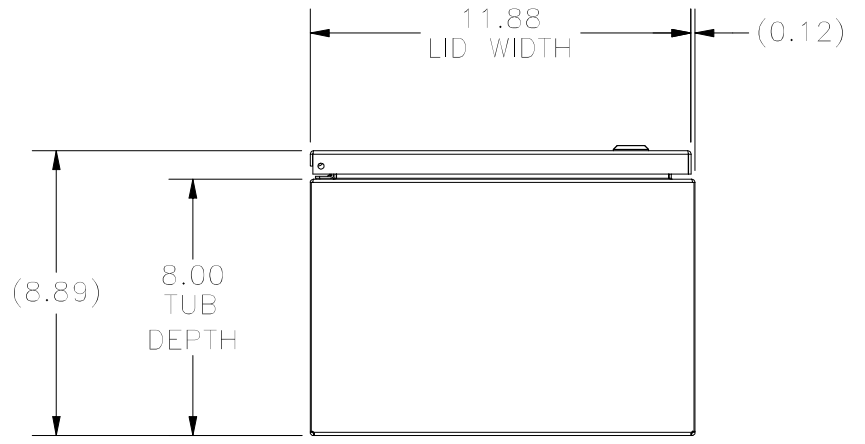
FRONT VIEW



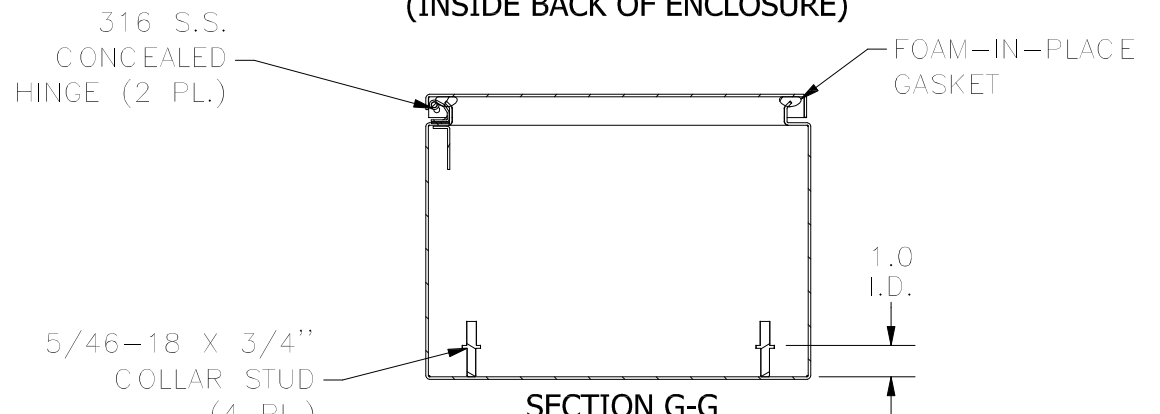
RIGHT SIDE VIEW



SECTION F-F  
(INSIDE BACK OF ENCLOSURE)



BOTTOM VIEW



SECTION G-G  
(INSIDE BACK OF ENCLOSURE)

PART#: N412121208C  
(DATA SUBJECT TO CHANGE WITHOUT NOTICE)

THIS DRAWING IS PROPERTY OF HUBBELL INC. WIEGMANN  
ALL INFORMATION IS PROPRIETARY AND NOT TO BE DUPLICATED