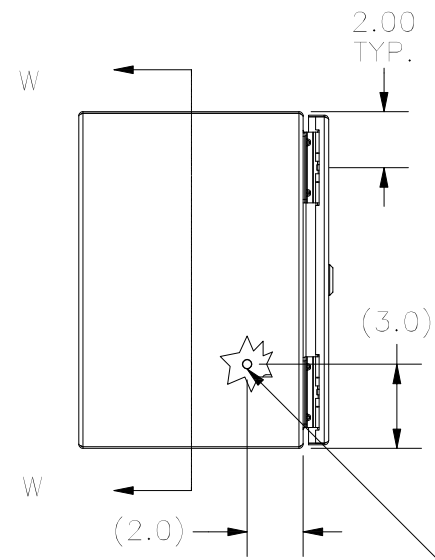
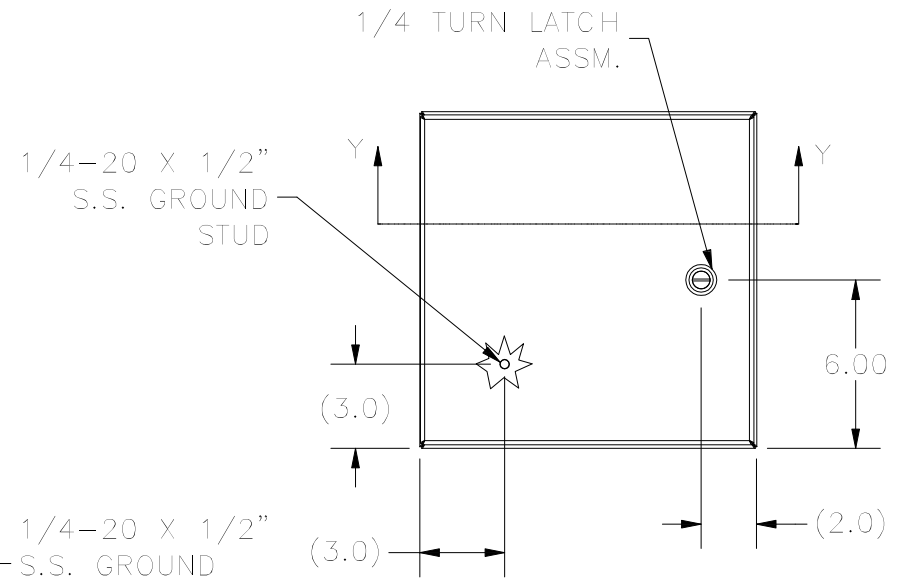


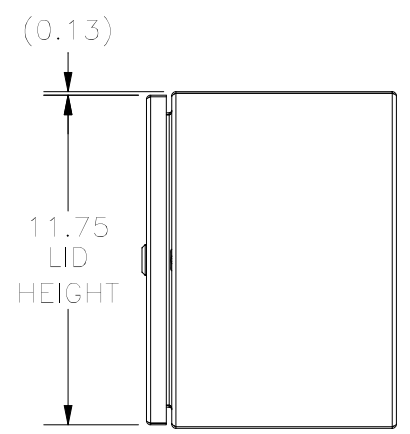
**TOP VIEW**



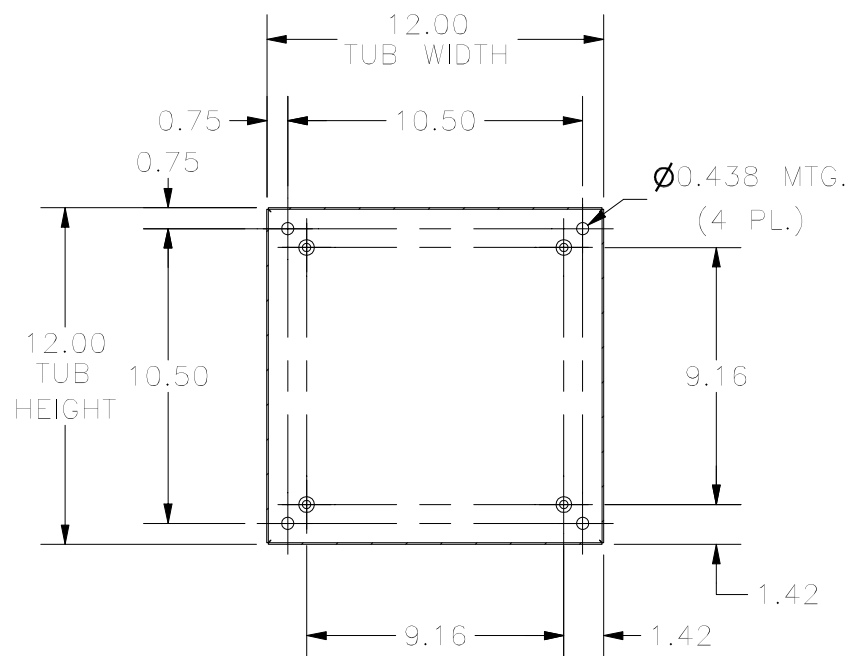
**LEFT SIDE VIEW**



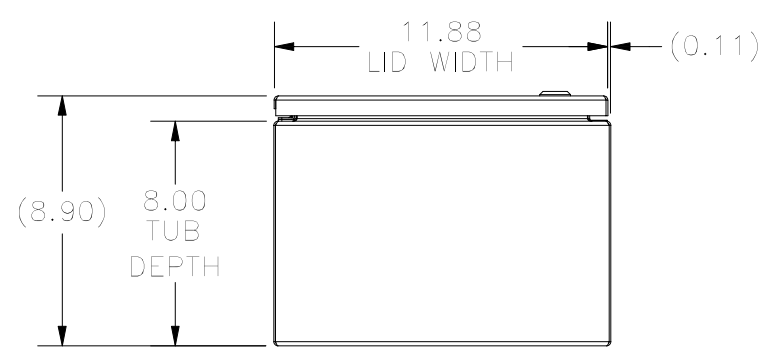
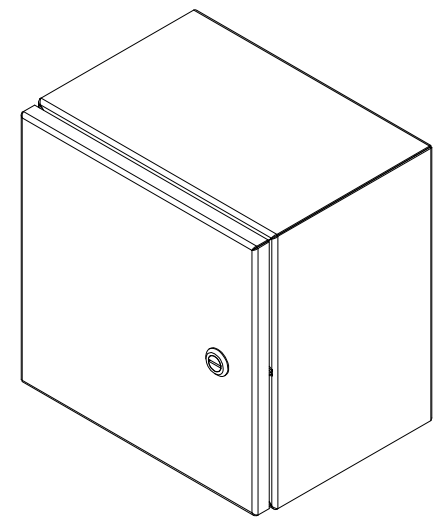
**FRONT VIEW**



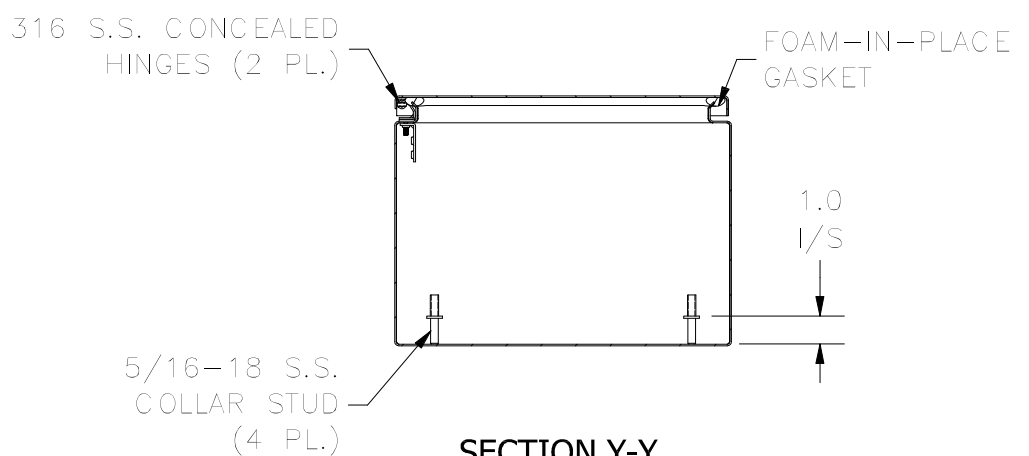
**RIGHT SIDE VIEW**



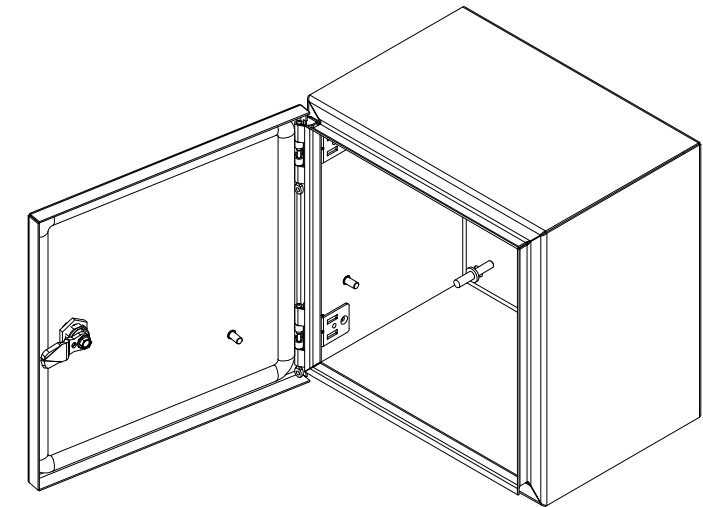
**SECTION W-W  
(INSIDE BACK OF ENCLOSURE)**



**BOTTOM VIEW**



**SECTION Y-Y  
(INSIDE TOP OF ENCLOSURE)**



PART #: N412121208SSC  
(DATA SUBJECT TO CHANGE WITHOUT NOTICE.)

THIS DRAWING IS PROPERTY OF HUBBELL INC. WIEGMANN  
ALL INFORMATION IS PROPRIETARY AND NOT TO BE DUPLICATED