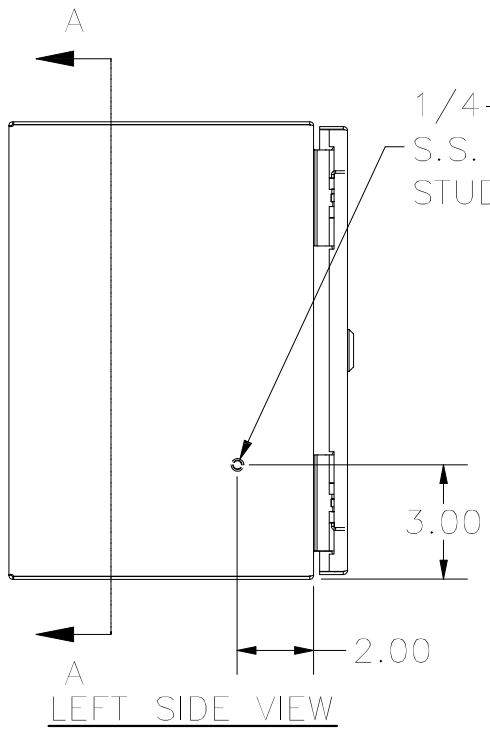
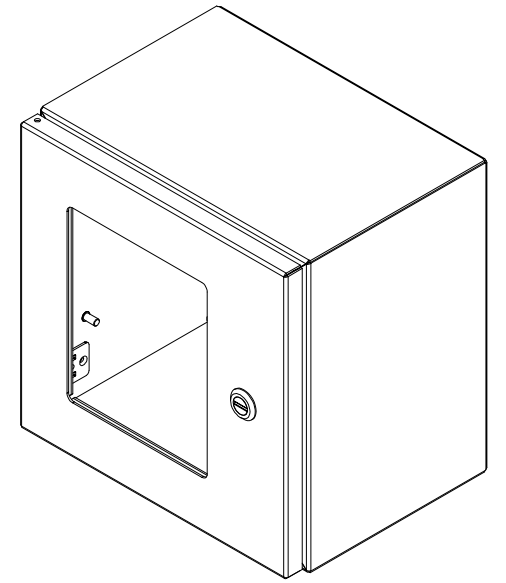
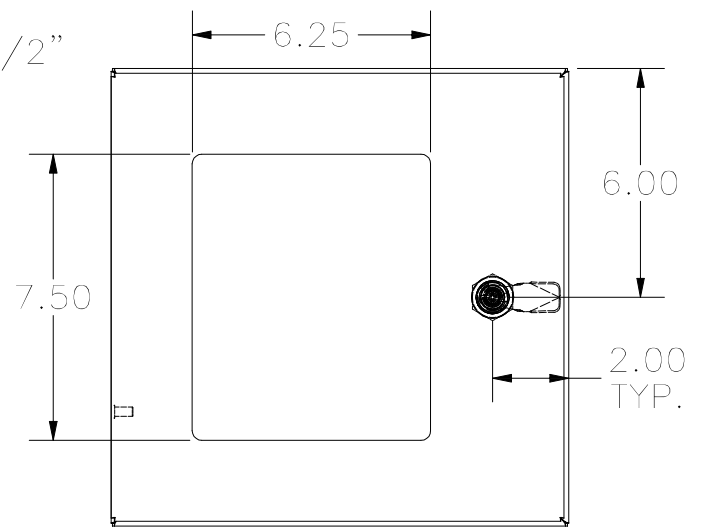


TOP VIEW

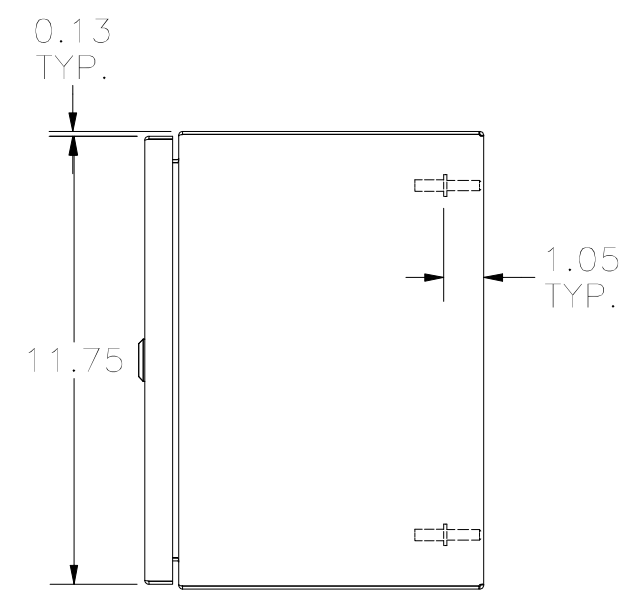


LEFT SIDE VIEW

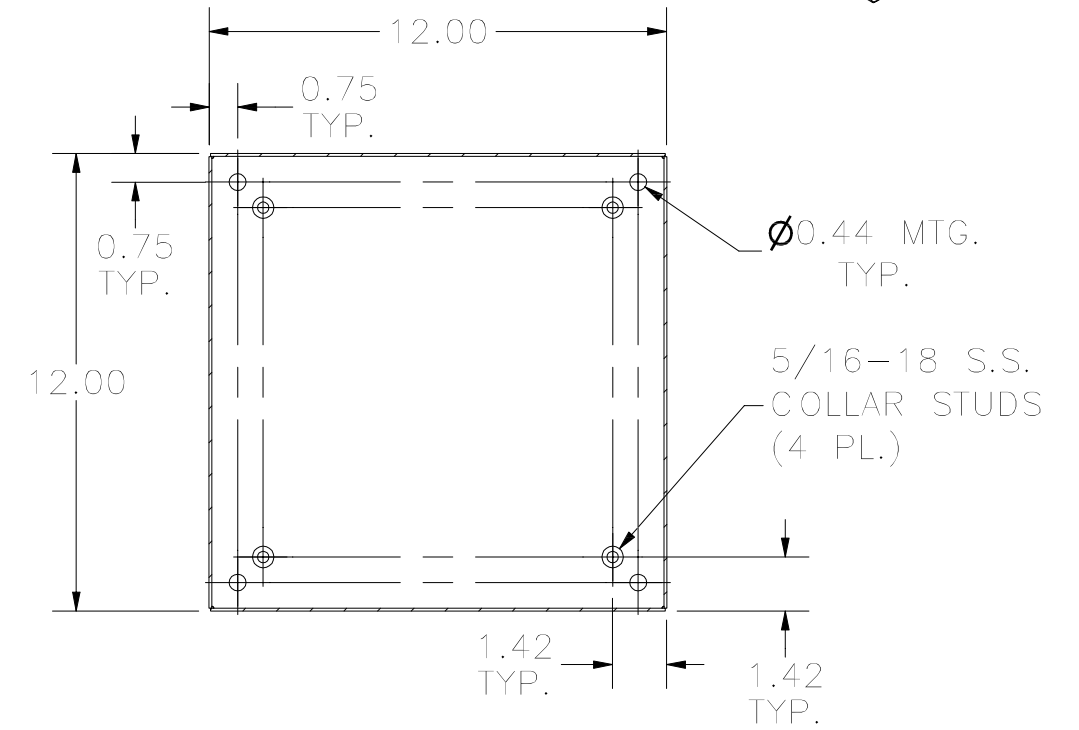
1/4-20 X 1/2"  
S.S. GROUND  
STUD



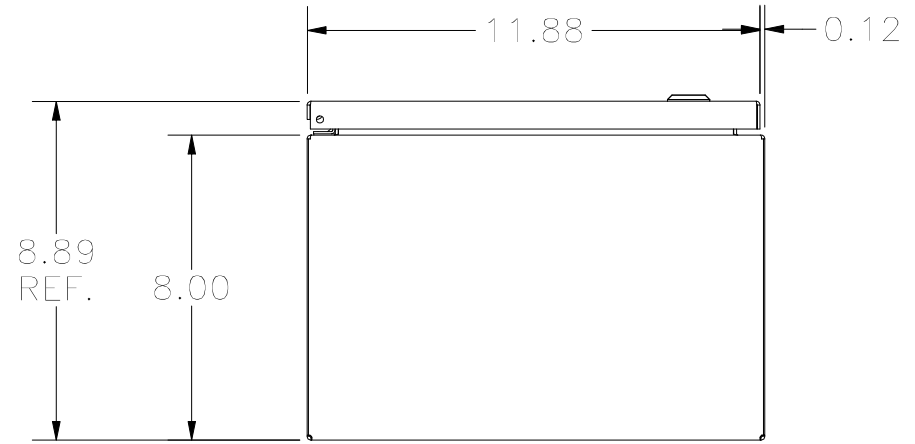
FRONT VIEW



RIGHT SIDE VIEW



SECTION A-A  
(INSIDE BACK OF ENCLOSURE)



BOTTOM VIEW

PART#: N412121208WC  
(DATA SUBJECT TO CHANGE WITHOUT NOTICE)

THIS DRAWING IS PROPERTY OF HUBBELL INC. WIEGMANN  
ALL INFORMATION IS PROPRIETARY AND NOT TO BE DUPLICATED