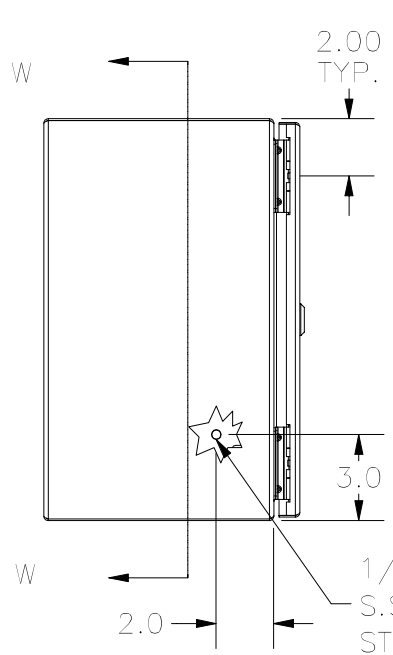
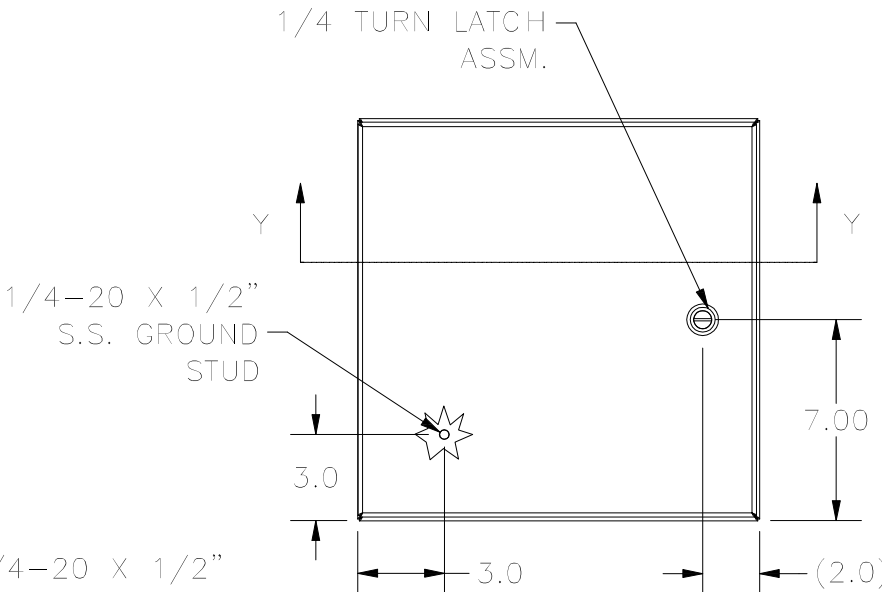


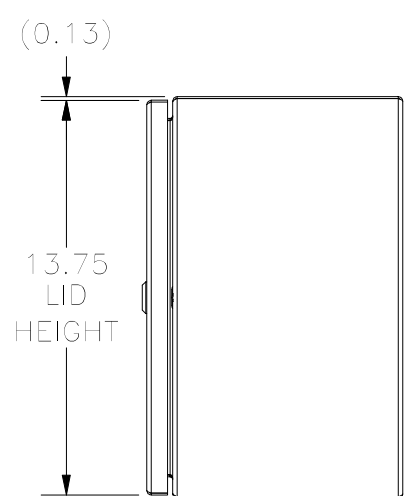
TOP VIEW



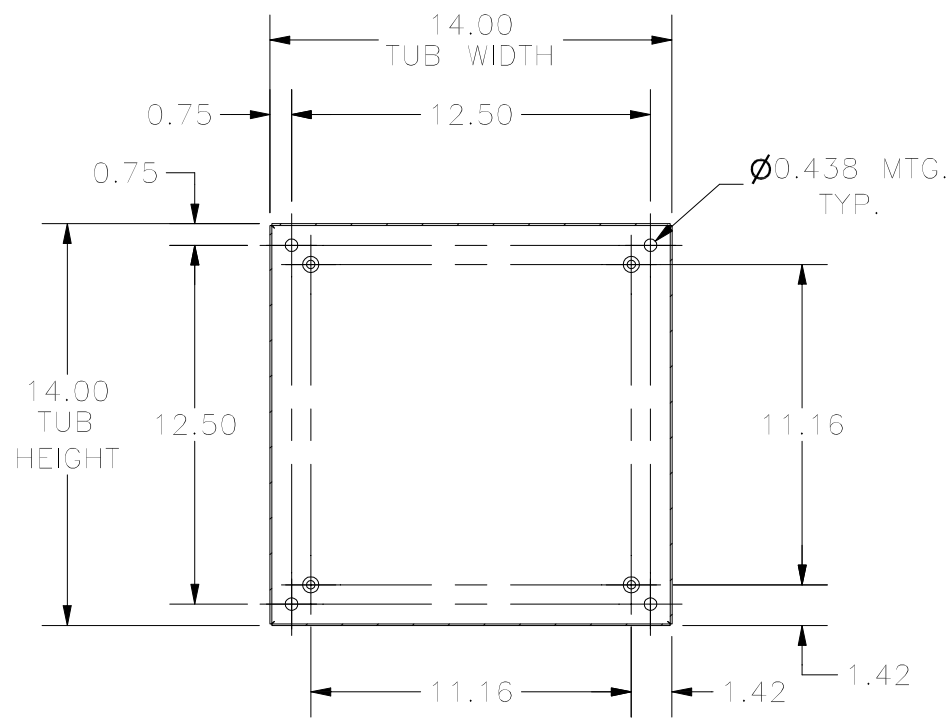
LEFT SIDE VIEW



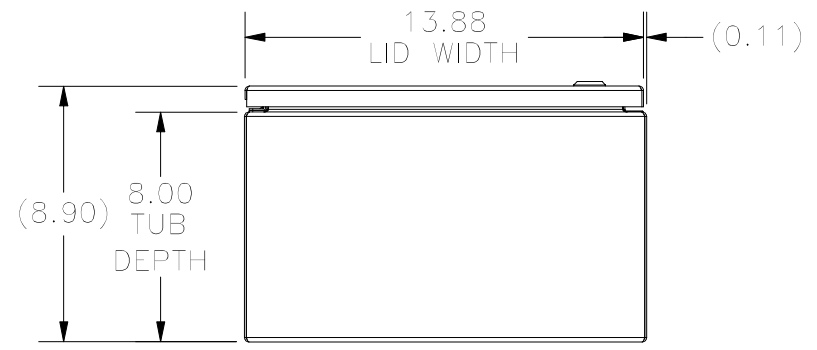
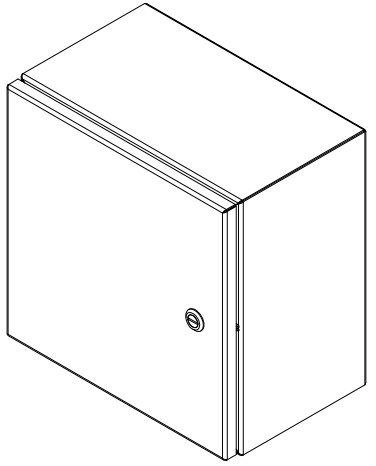
FRONT VIEW



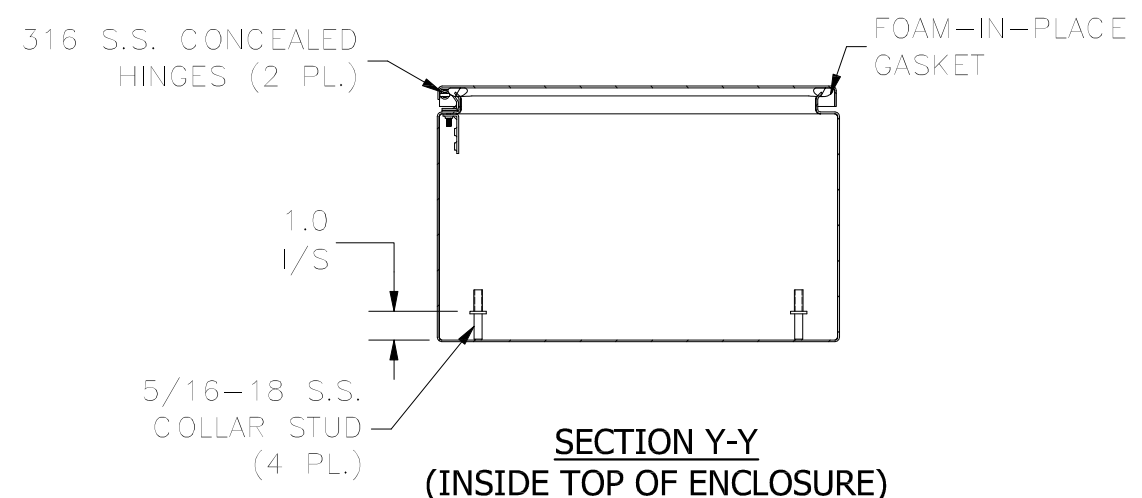
RIGHT SIDE VIEW



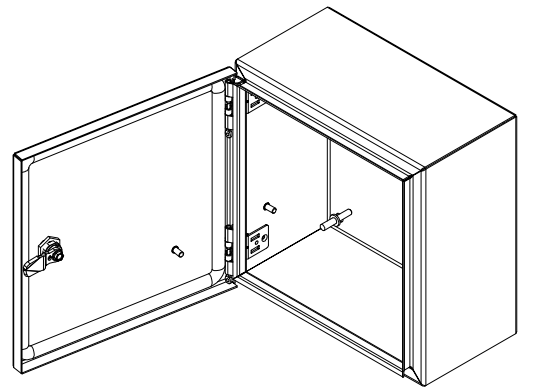
**SECTION W-W
(INSIDE BACK OF ENCLOSURE)**



BOTTOM VIEW



**SECTION Y-Y
(INSIDE TOP OF ENCLOSURE)**



PART #: N412141408SSC
(DATA SUBJECT TO CHANGE WITHOUT NOTICE.)