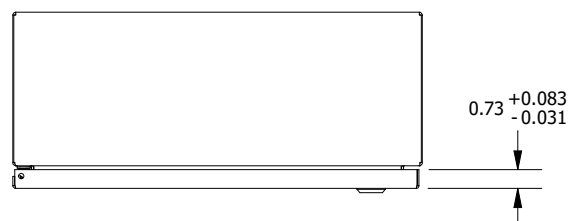
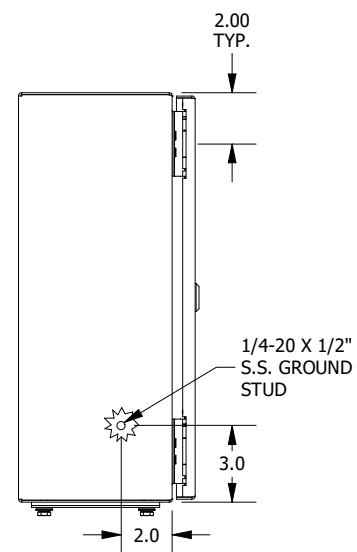
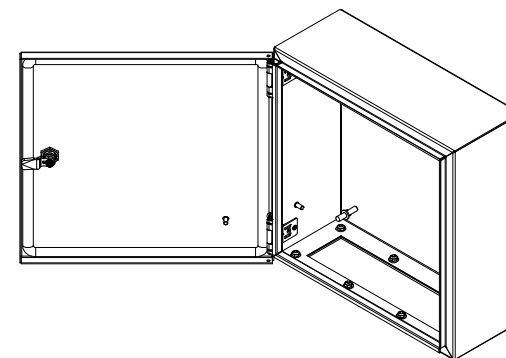
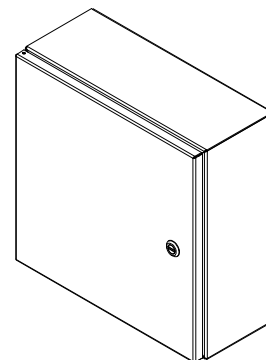


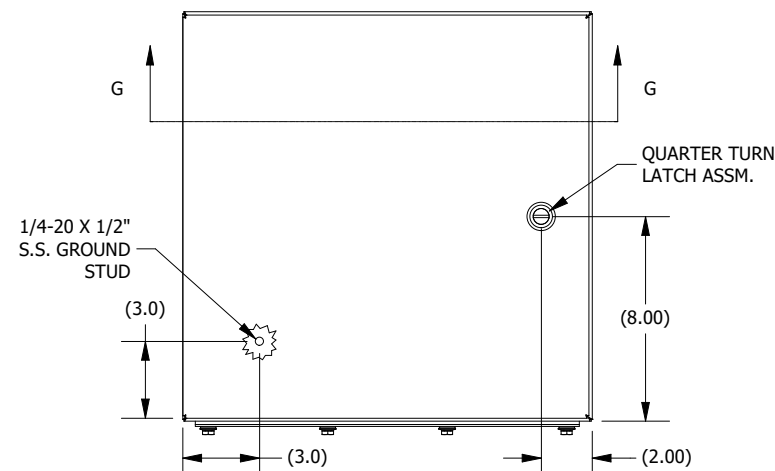
DETAIL Y
(GLAND PLATE MTG VIEW, TYP.)



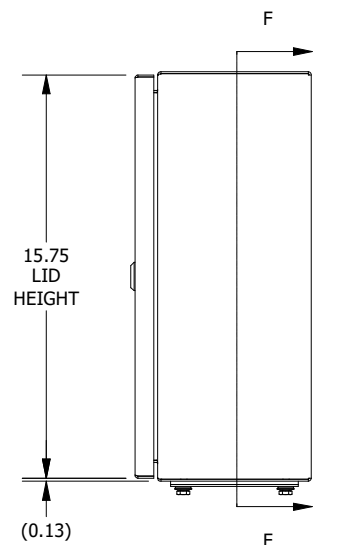
TOP VIEW



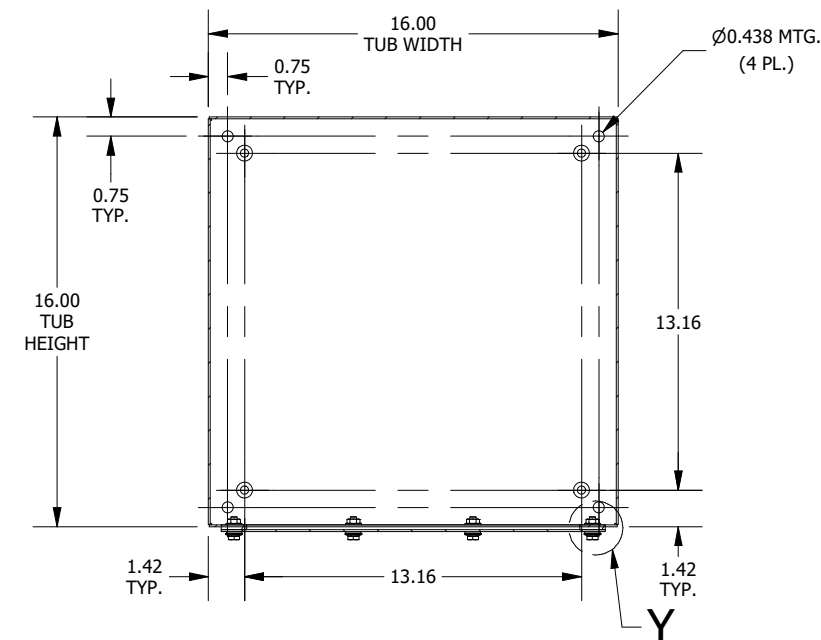
LEFT SIDE VIEW



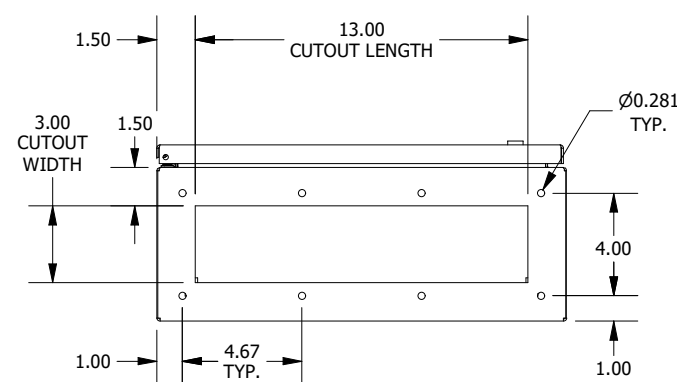
FRONT VIEW



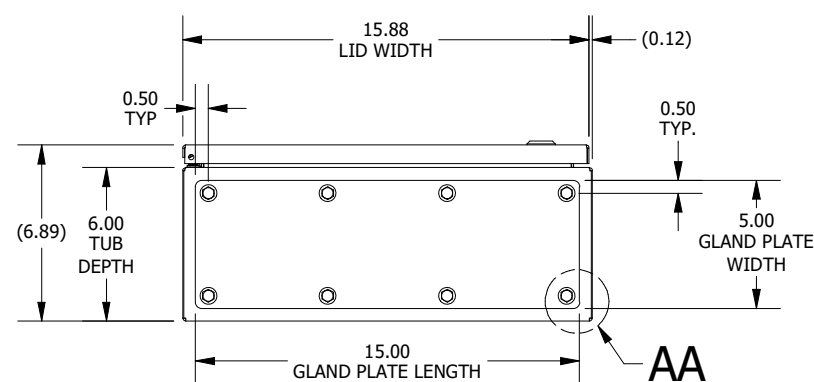
RIGHT SIDE VIEW



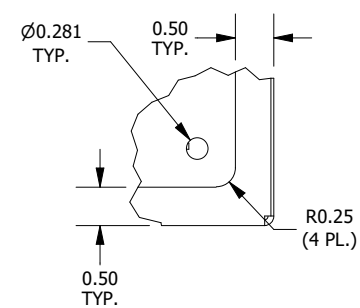
SECTION F-F
(INSIDE BACK OF ENCLOSURE)



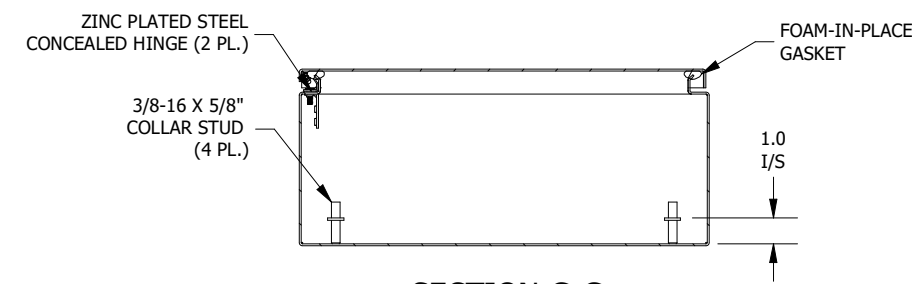
BOTTOM VIEW
(WITHOUT GLAND PLATE)



BOTTOM VIEW



DETAIL AA
(WITHOUT BOLT AND WASHER)



SECTION G-G
(INSIDE TOP OF ENCLOSURE)

PART #:N412161606CGP
(DATA SUBJECT TO CHANGE WITHOUT NOTICE)
THIS DRAWING IS THE PROPERTY OF HUBBELL INC. WIEGMANN
ALL INFORMATION IS PROPRIETARY AND NOT TO BE DUPLICATED