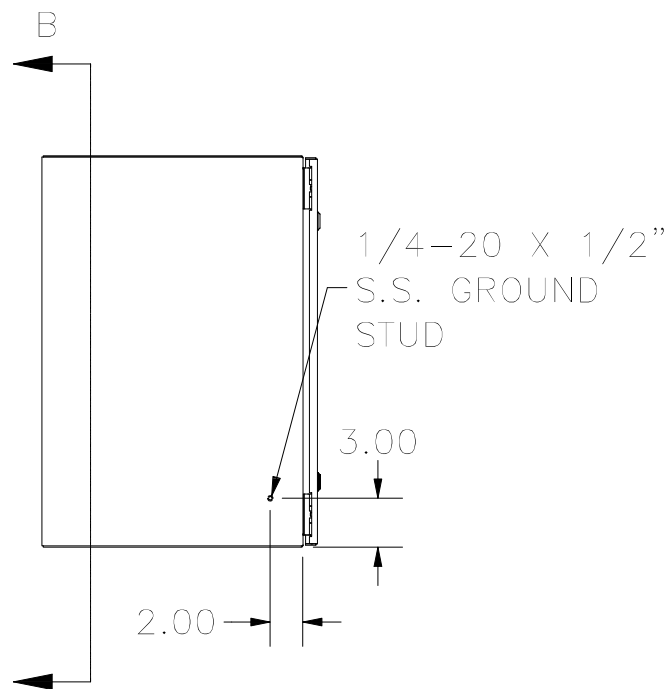
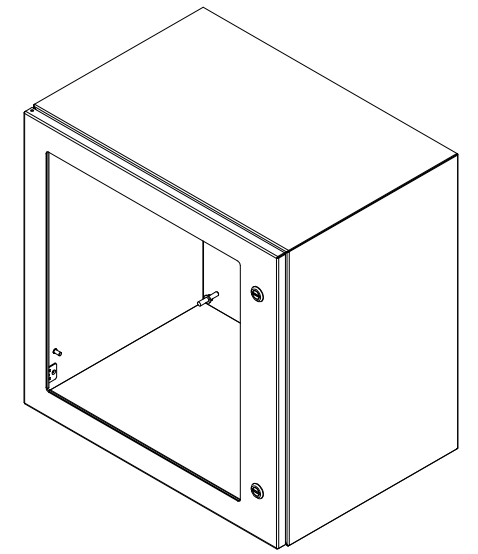
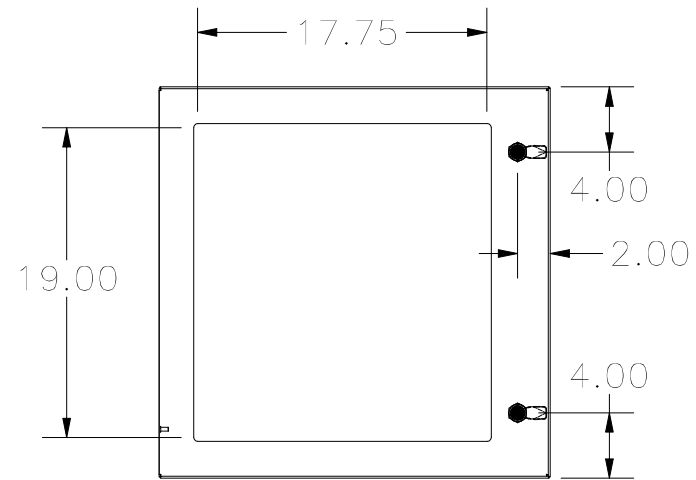


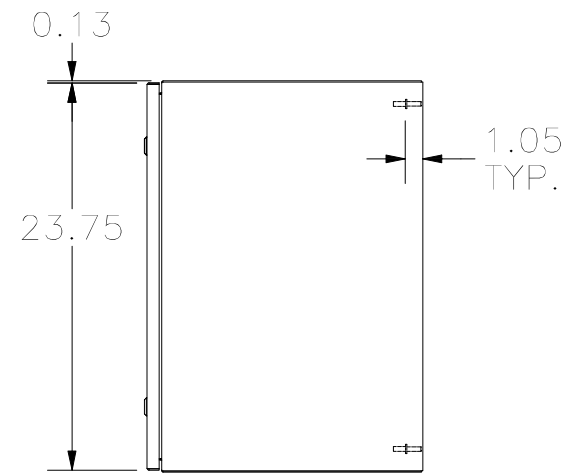
TOP SIDE VIEW



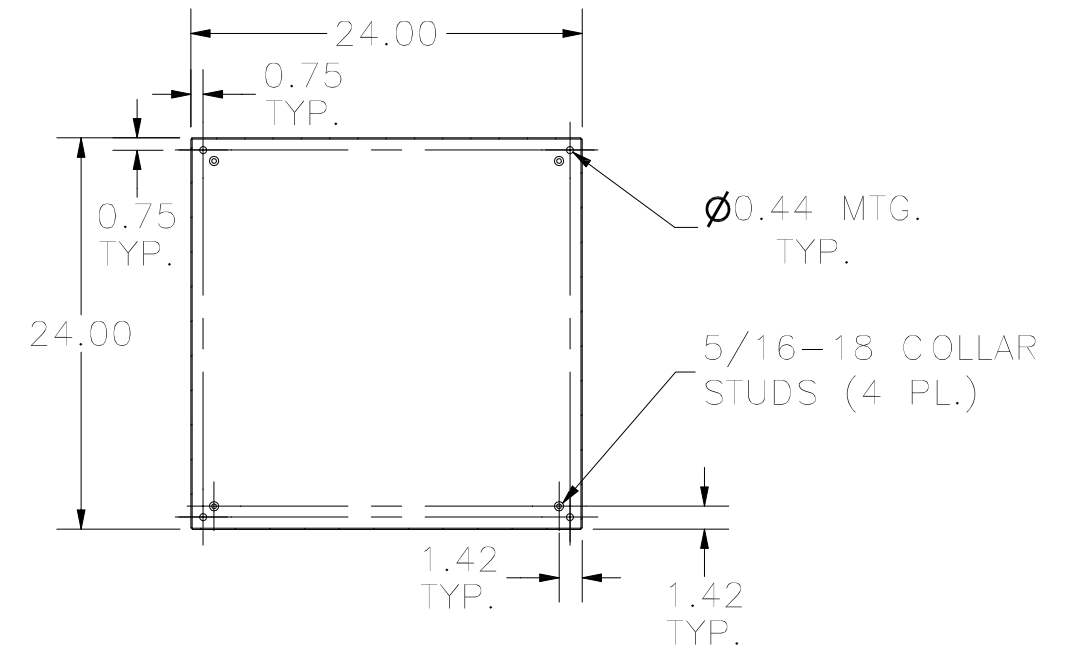
LEFT SIDE VIEW



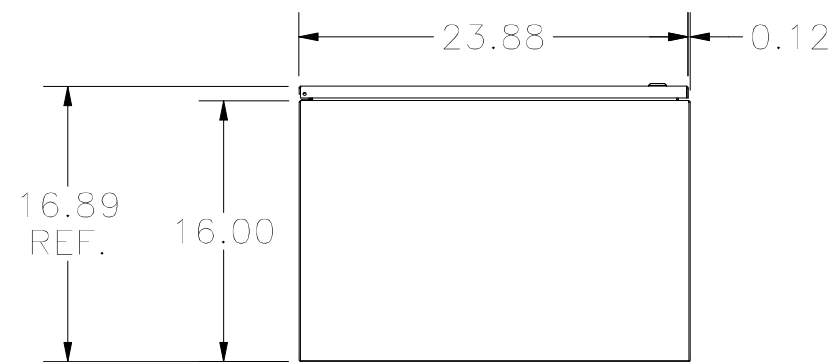
FRONT VIEW



RIGHT SIDE VIEW



SECTION B-B  
(INSIDE BACK OF ENCLOSURE)



BOTTOM SIDE VIEW

PART#: N412242416WC  
(DATA SUBJECT TO CHANGE WITHOUT NOTICE)

THIS DRAWING IS PROPERTY OF HUBBELL INC. WIEGMANN  
ALL INFORMATION IS PROPRIETARY AND NOT TO BE DUPLICATED