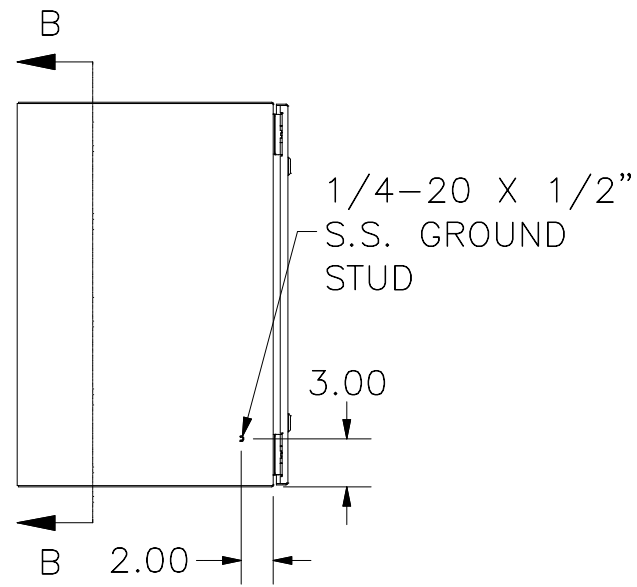
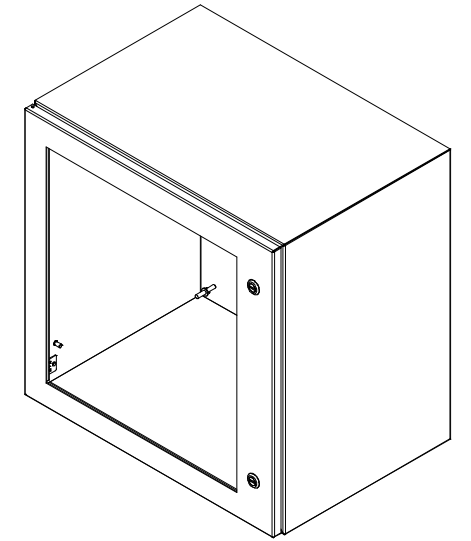
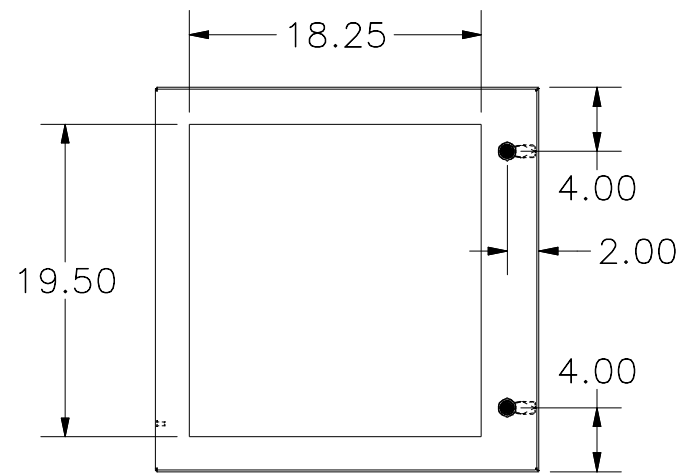


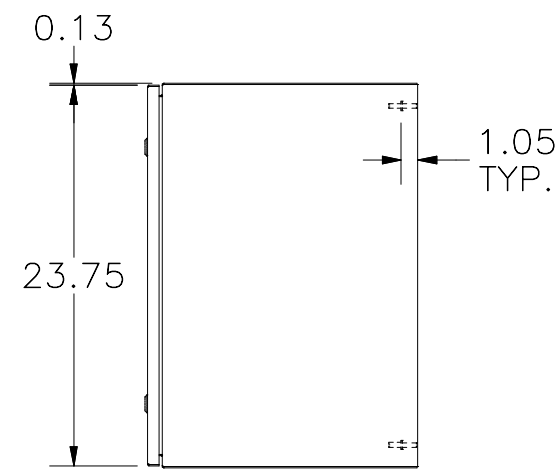
TOP SIDE VIEW



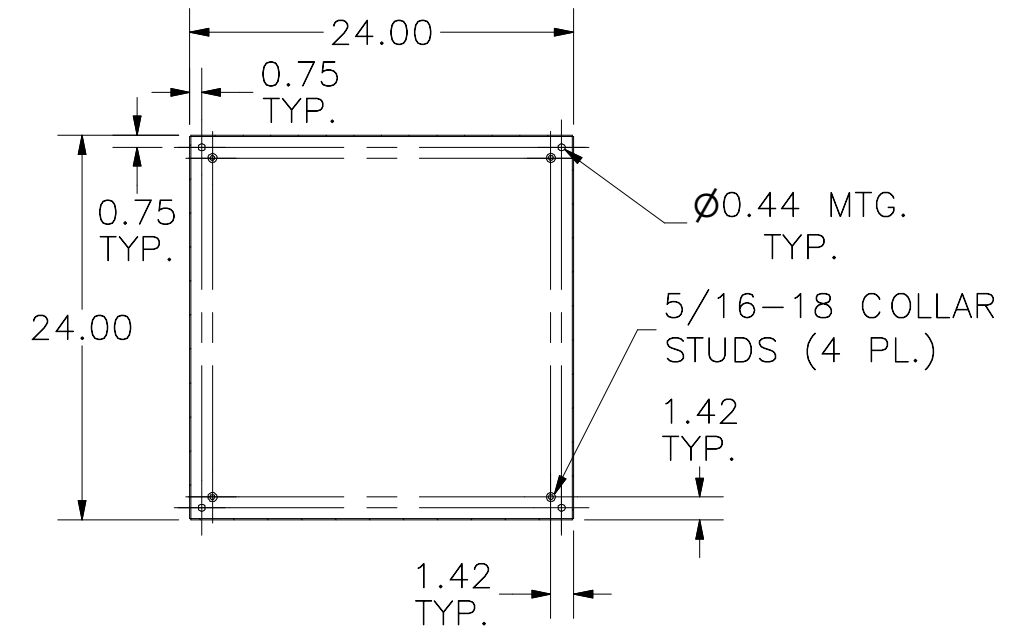
LEFT SIDE VIEW



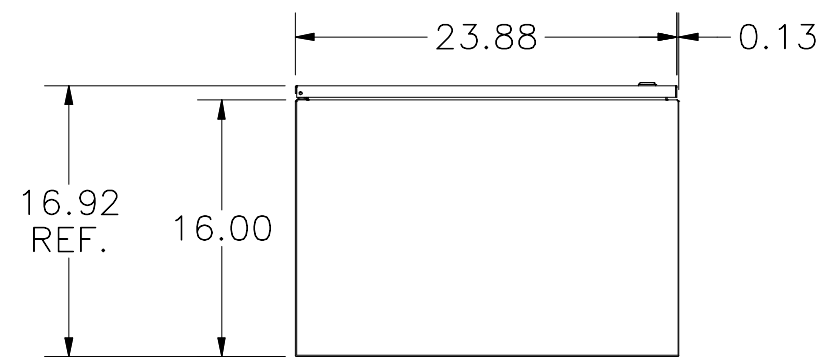
FRONT VIEW



RIGHT SIDE VIEW



SECTION B-B
(INSIDE BACK OF ENCLOSURE)



BOTTOM SIDE VIEW

PART#: N412242416WCLG
(DATA SUBJECT TO CHANGE WITHOUT NOTICE)