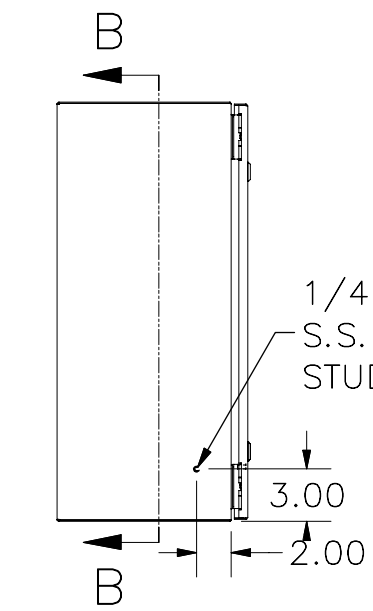
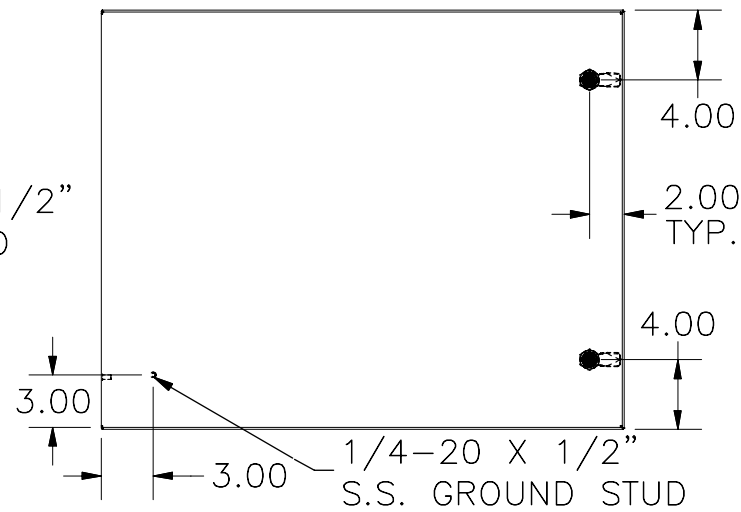


TOP VIEW

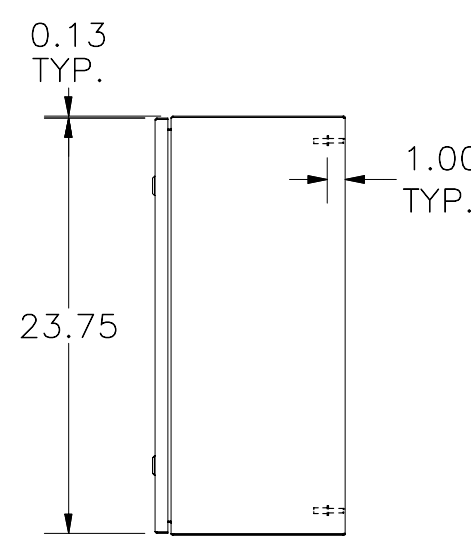


LEFT SIDE VIEW

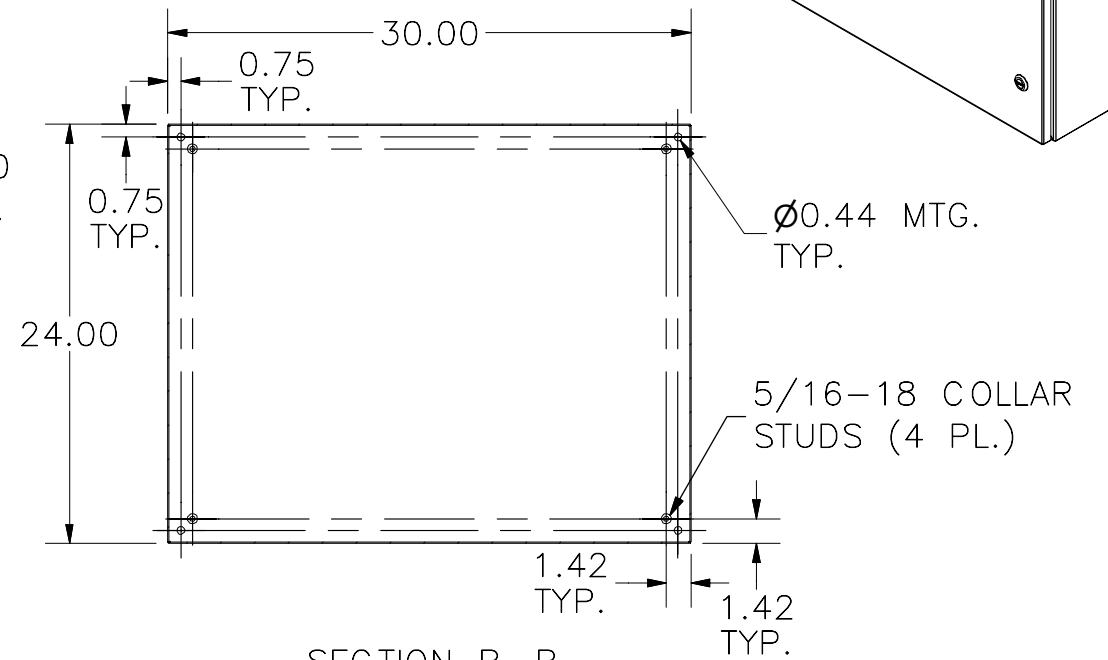
1/4-20 X 1/2"
S.S. GROUND
STUD



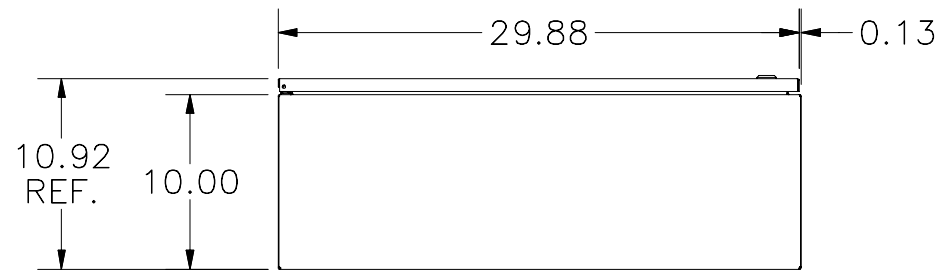
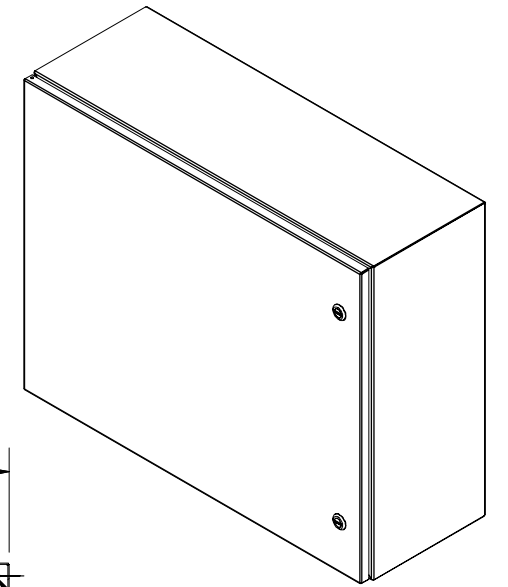
FRONT VIEW



RIGHT SIDE VIEW



SECTION B-B
(INSIDE BACK OF ENCLOSURE)



BOTTOM VIEW

PART#: N412243010CLG
(DATA SUBJECT TO CHANGE WITHOUT NOTICE)