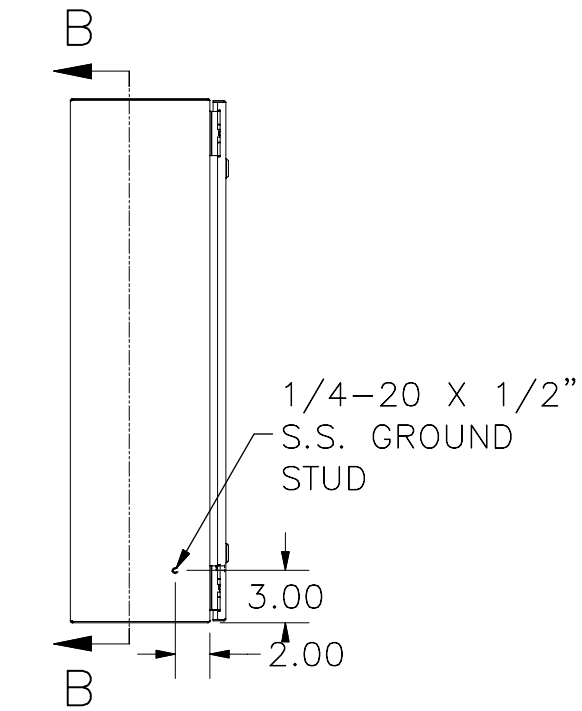
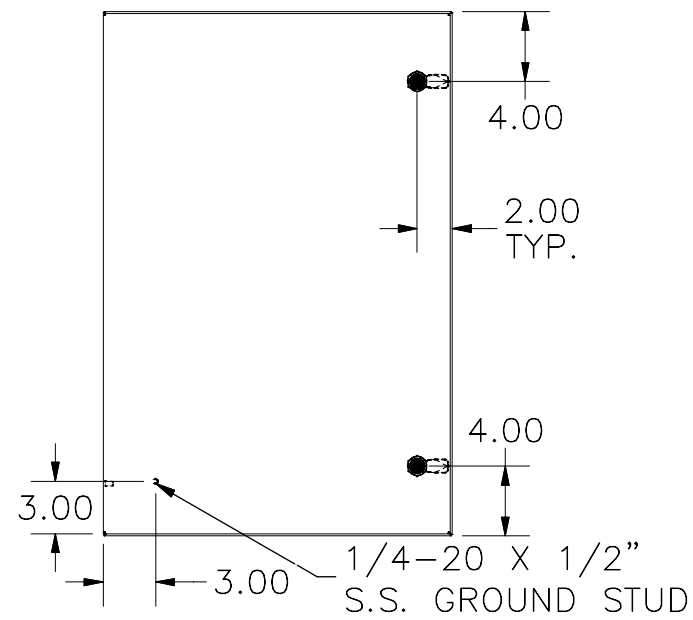


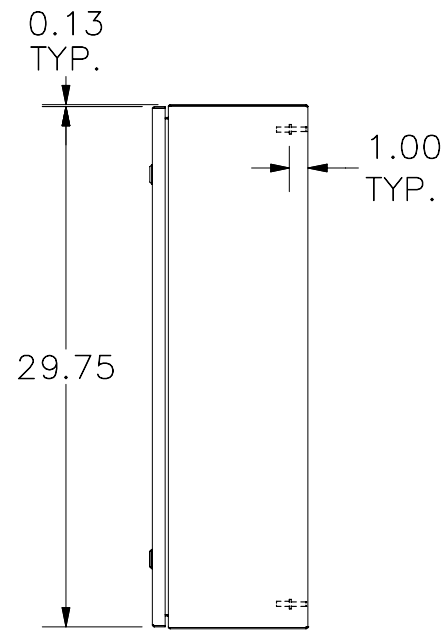
TOP VIEW



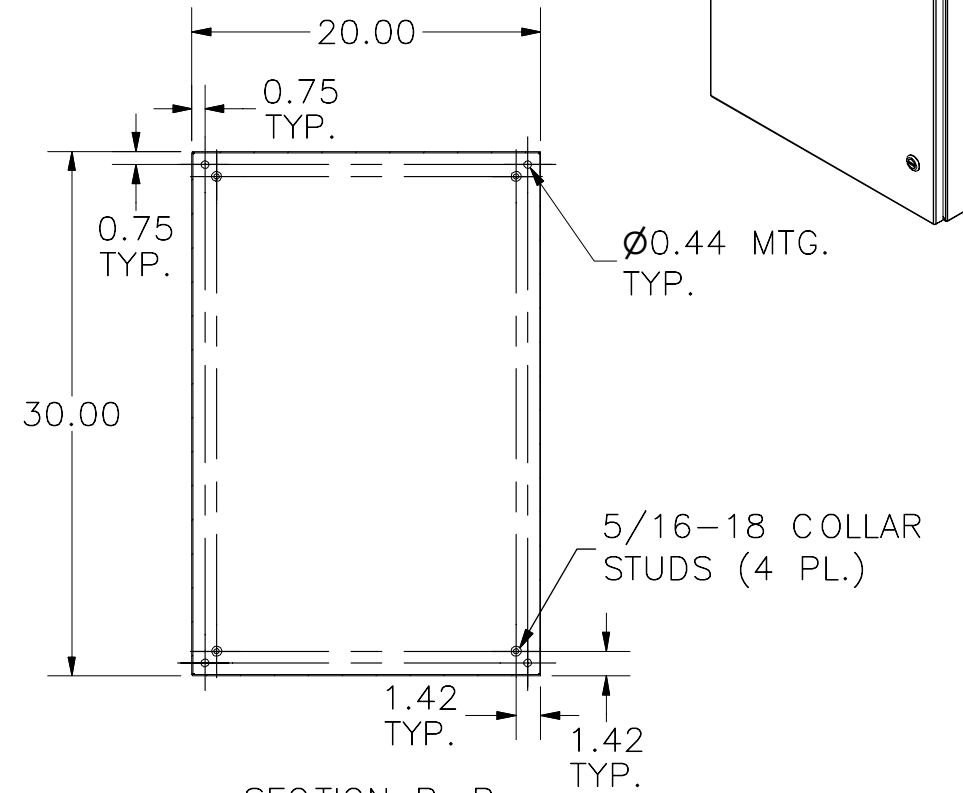
LEFT SIDE VIEW



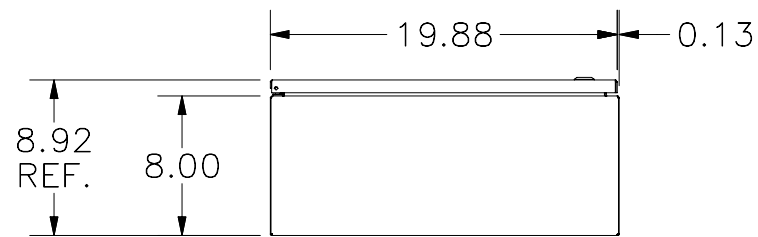
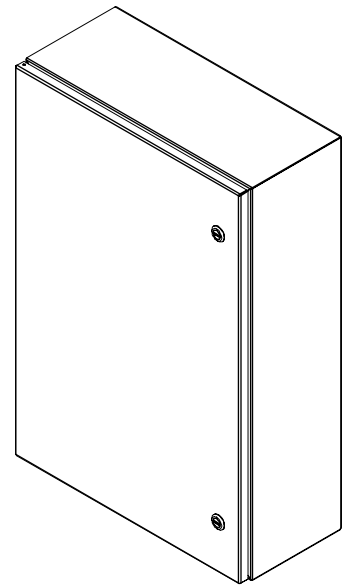
FRONT VIEW



RIGHT SIDE VIEW



SECTION B-B  
(INSIDE BACK OF ENCLOSURE)



BOTTOM VIEW

PART#: N412302008CLG  
(DATA SUBJECT TO CHANGE WITHOUT NOTICE)