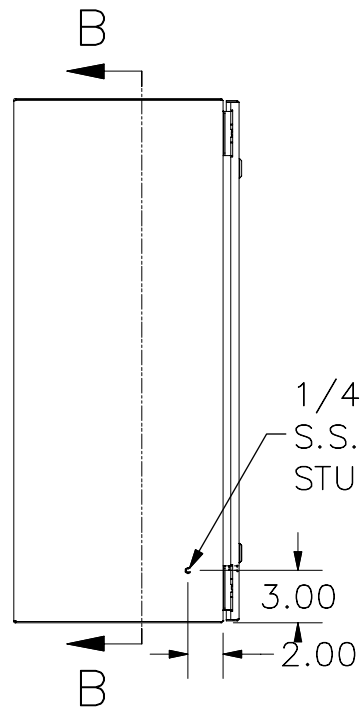
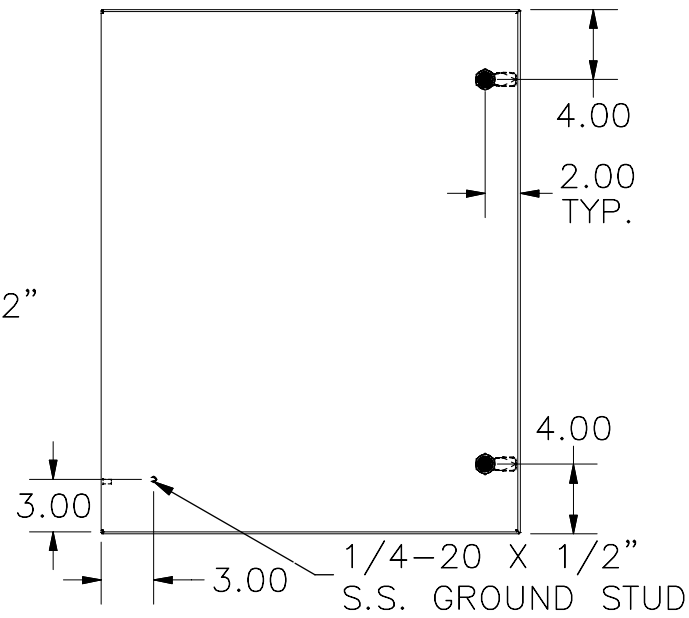


TOP VIEW



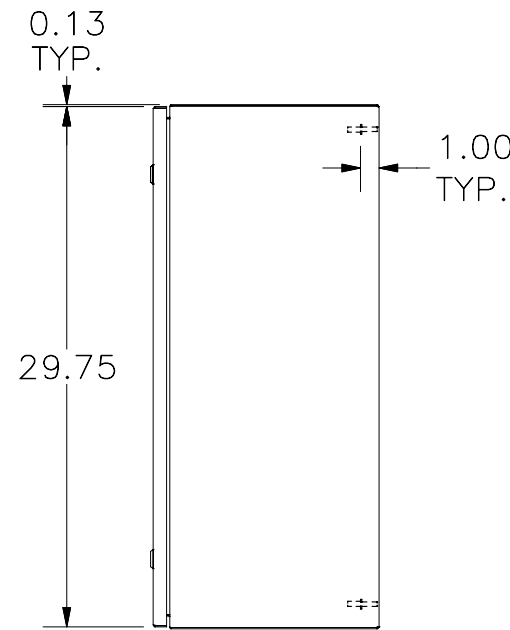
LEFT SIDE VIEW

1/4-20 X 1/2"
S.S. GROUND
STUD



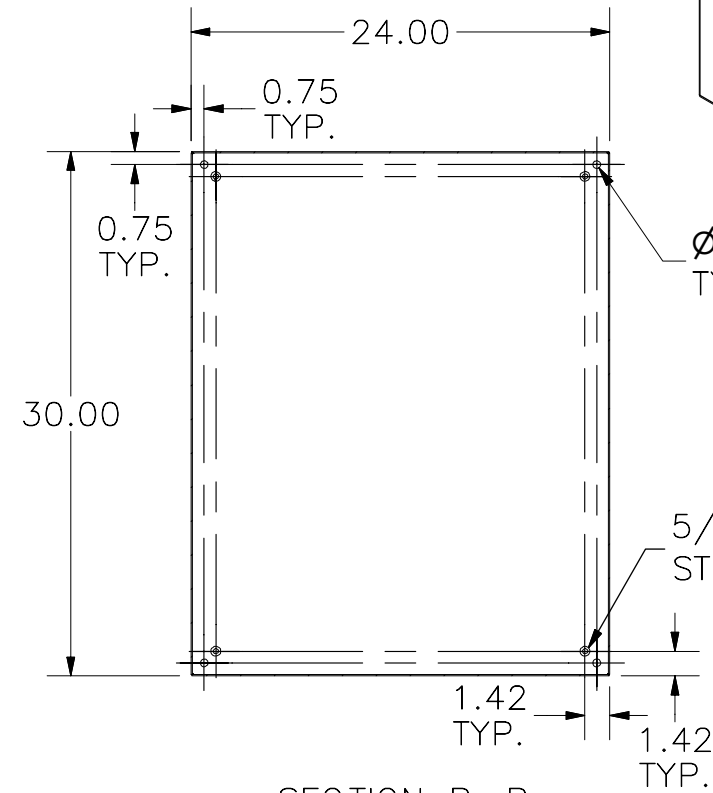
FRONT VIEW

1/4-20 X 1/2"
S.S. GROUND STUD



RIGHT SIDE VIEW

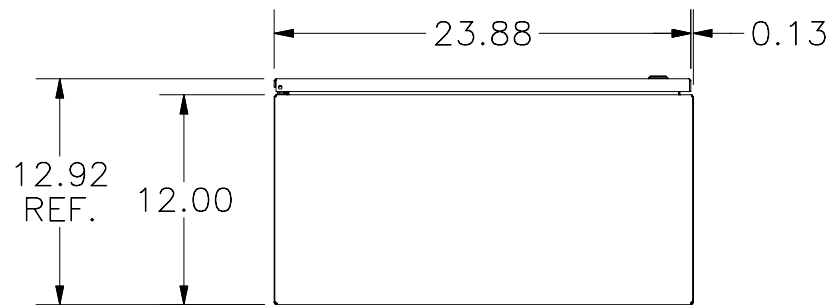
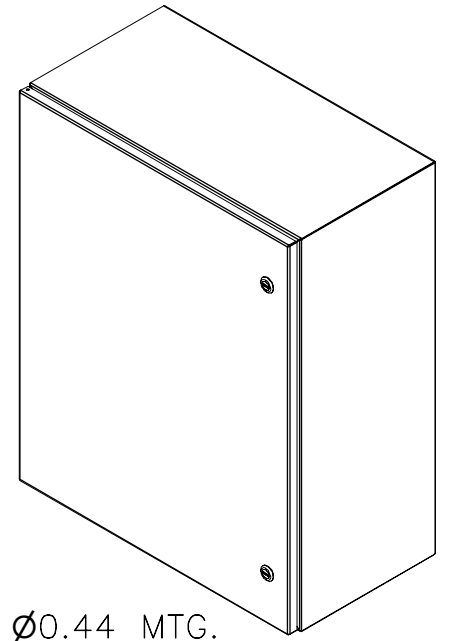
1.00 TYP.



SECTION B-B
(INSIDE BACK OF ENCLOSURE)

Ø0.44 MTG.
TYP.

5/16-18 COLLAR
STUDS (4 PL.)



BOTTOM VIEW

PART#: N412302412CLG
(DATA SUBJECT TO CHANGE WITHOUT NOTICE)