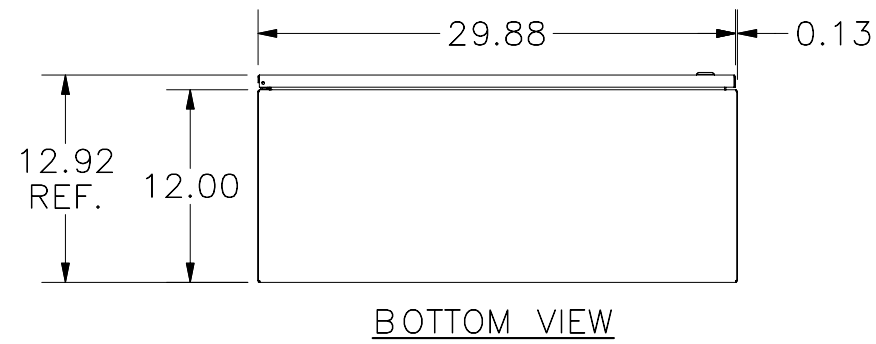
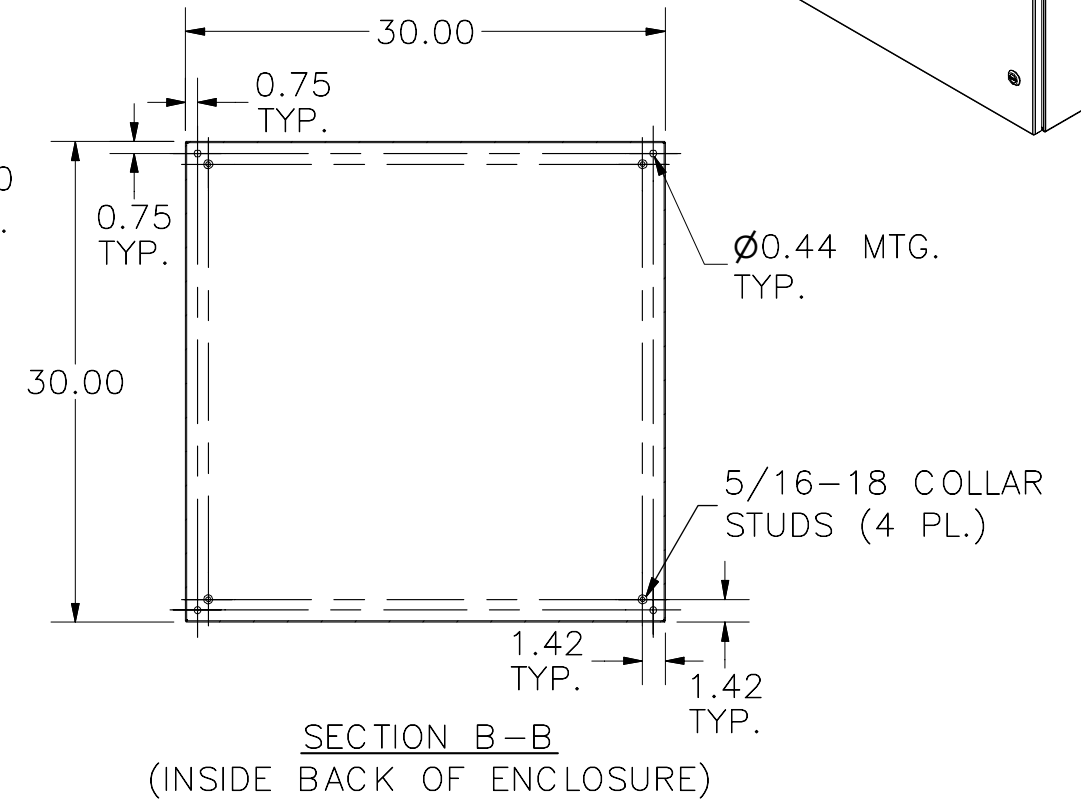
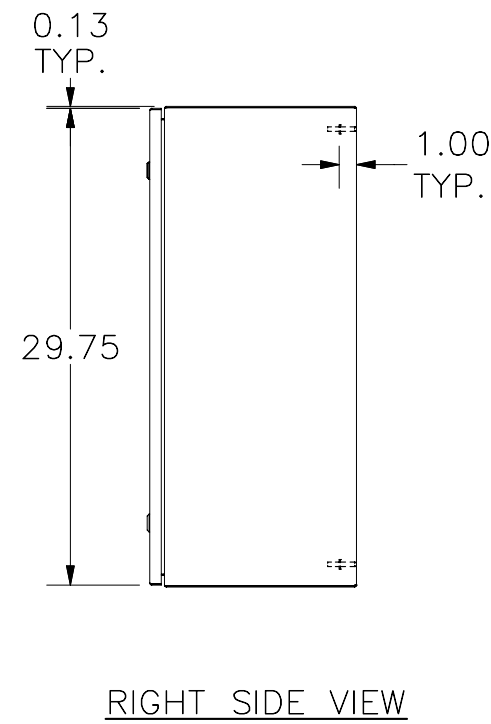
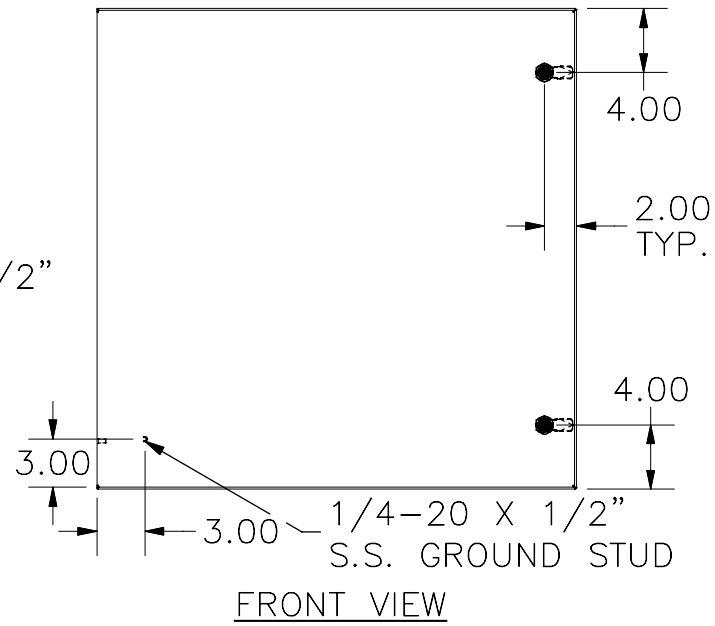


1/4-20 X 1/2"  
S.S. GROUND  
STUD

3.00  
2.00



PART#: N412303012CLG  
(DATA SUBJECT TO CHANGE WITHOUT NOTICE)