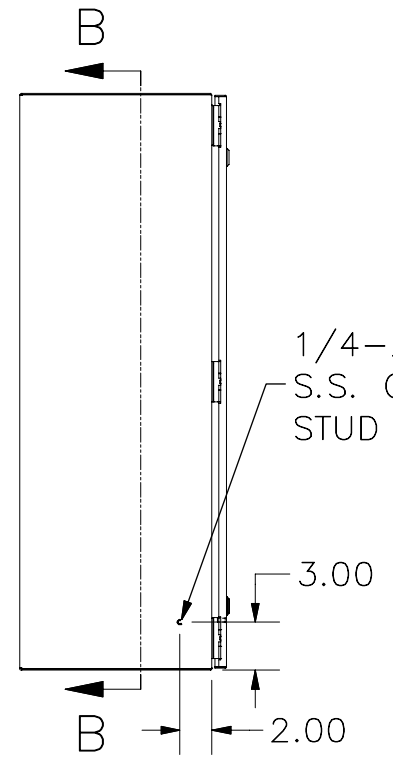
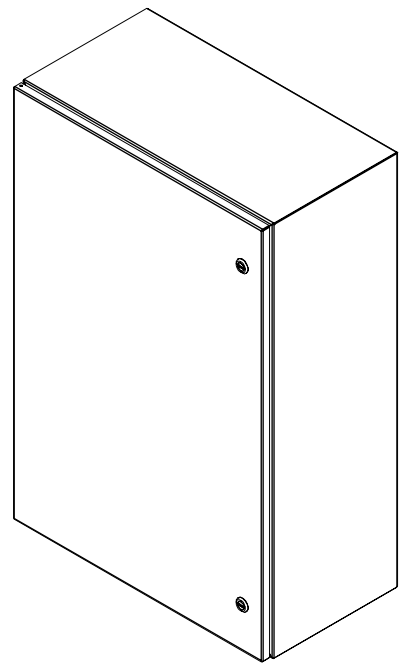
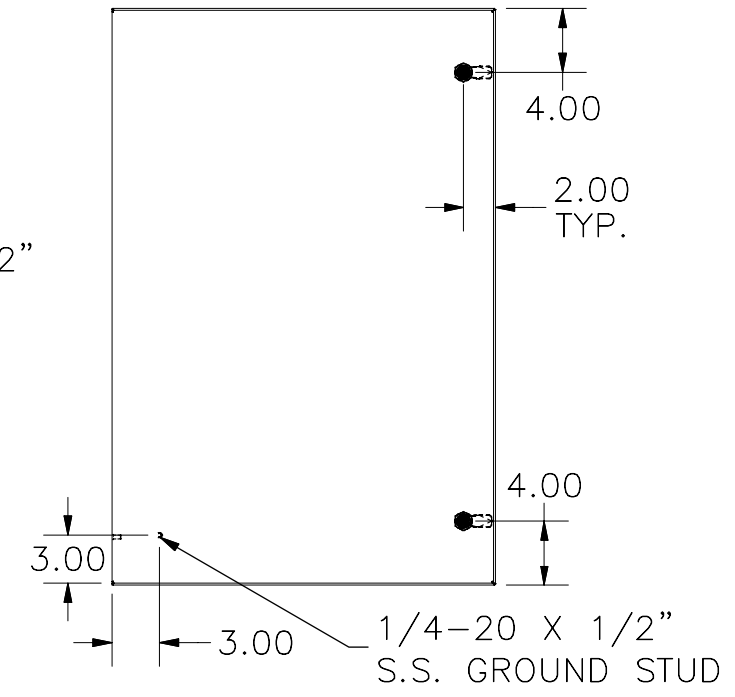


TOP VIEW



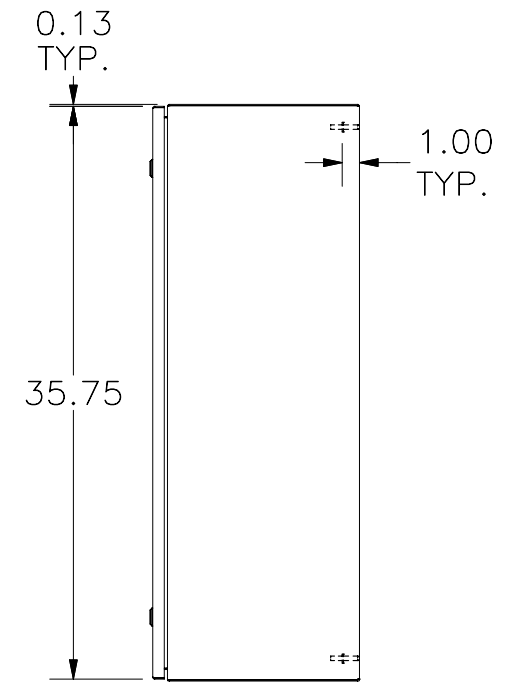
LEFT SIDE VIEW

1/4-20 X 1/2"  
S.S. GROUND  
STUD

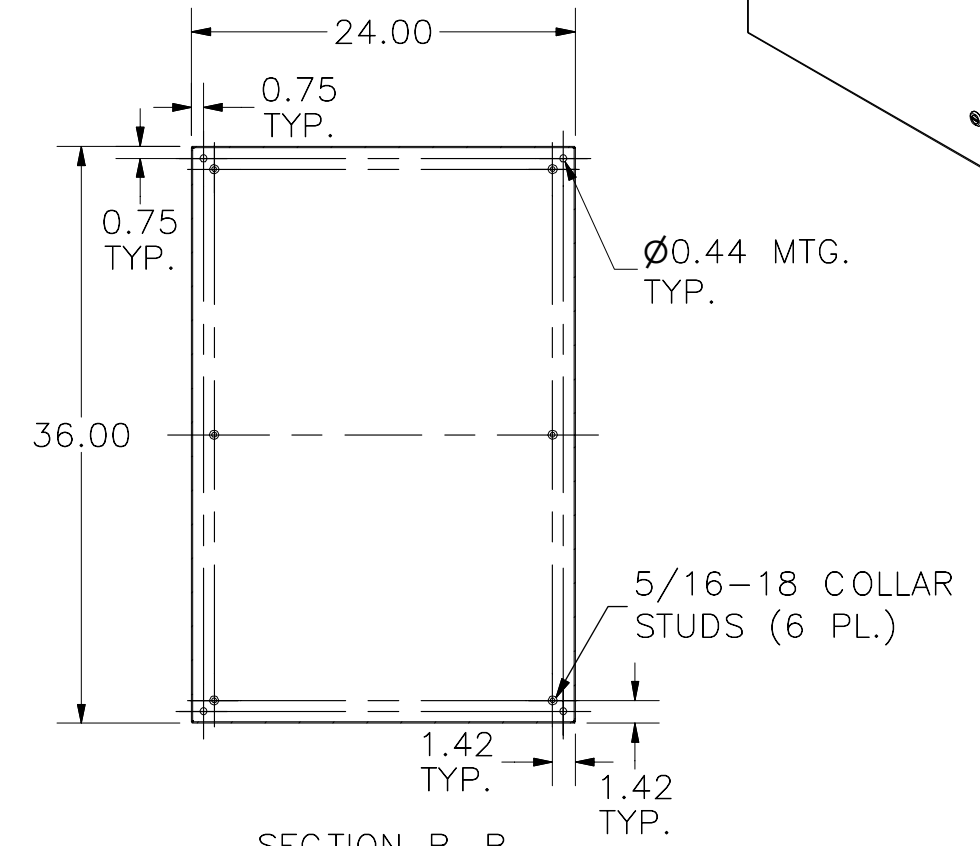


FRONT VIEW

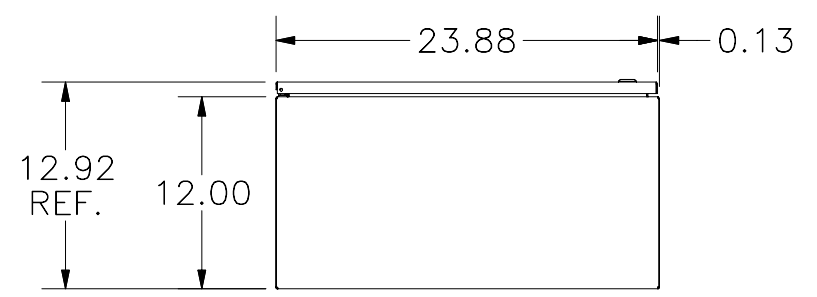
1/4-20 X 1/2"  
S.S. GROUND STUD



RIGHT SIDE VIEW



SECTION B-B  
(INSIDE BACK OF ENCLOSURE)



BOTTOM VIEW

PART#: N412362412CLG  
(DATA SUBJECT TO CHANGE WITHOUT NOTICE)