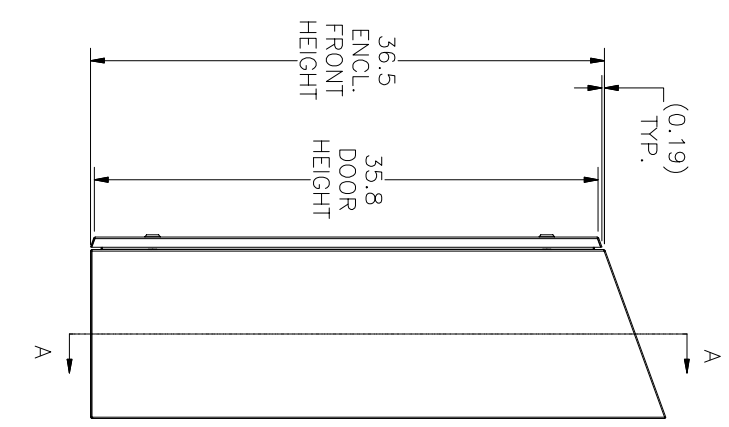
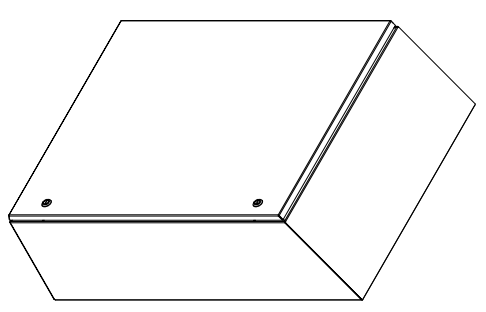
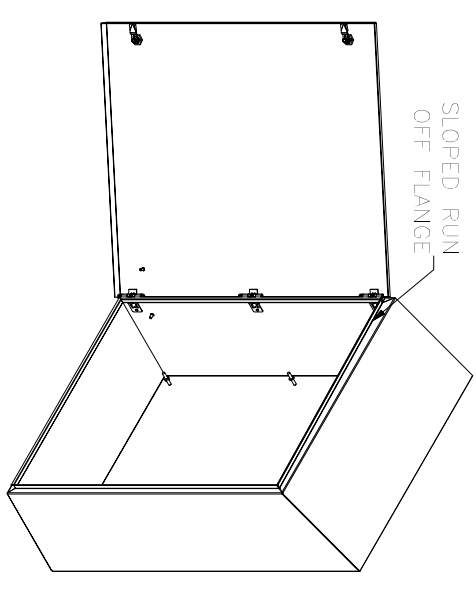
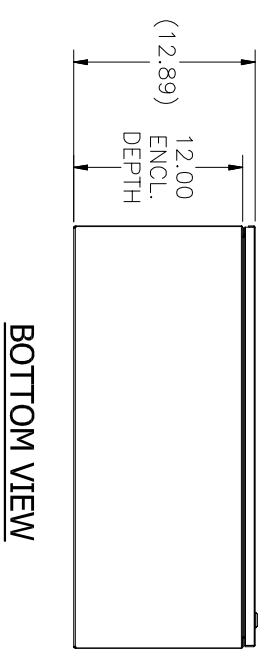


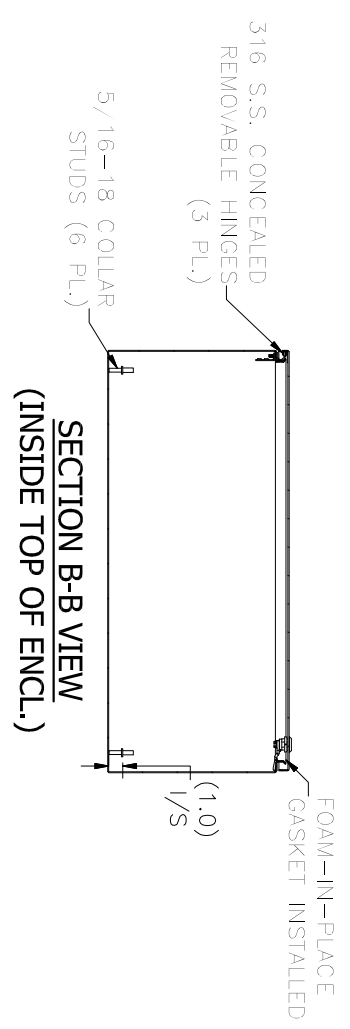
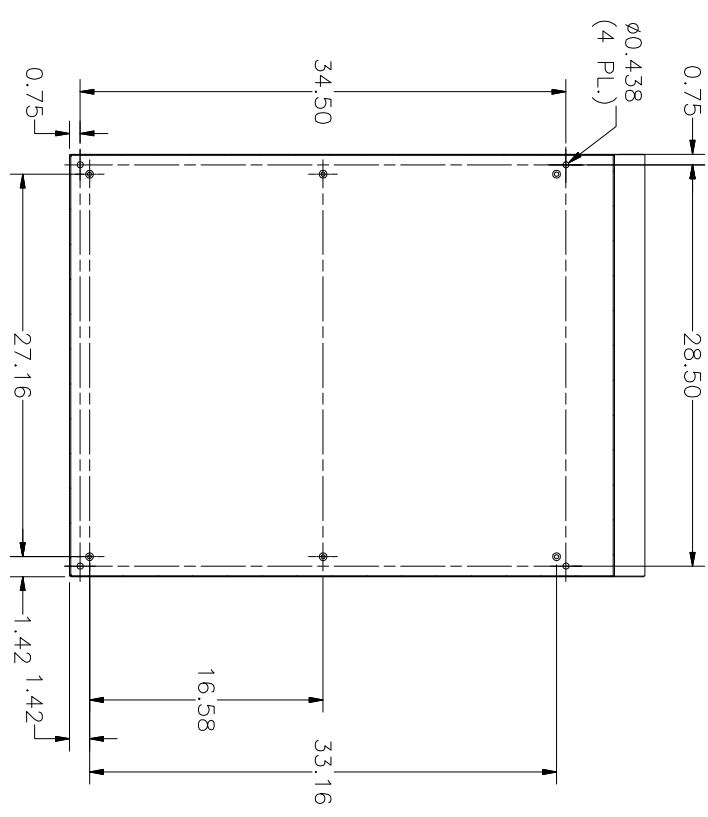
LEFT SIDE VIEW



RIGHT SIDE VIEW



SECTION A-A VIEW (INSIDE BACK OF ENCL.)



PART#: N412363012C SSSST

(DATA SUBJECT TO CHANGE WITHOUT NOTICE)

THIS DRAWING IS PROPERTY OF HUBBELL INC. WIEGMANN ALL INFORMATION IS PROPRIETARY AND NOT TO BE DUPLICATED