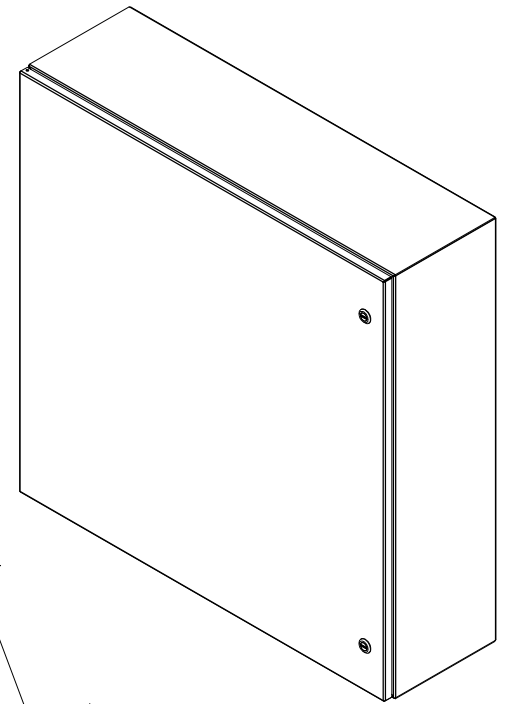
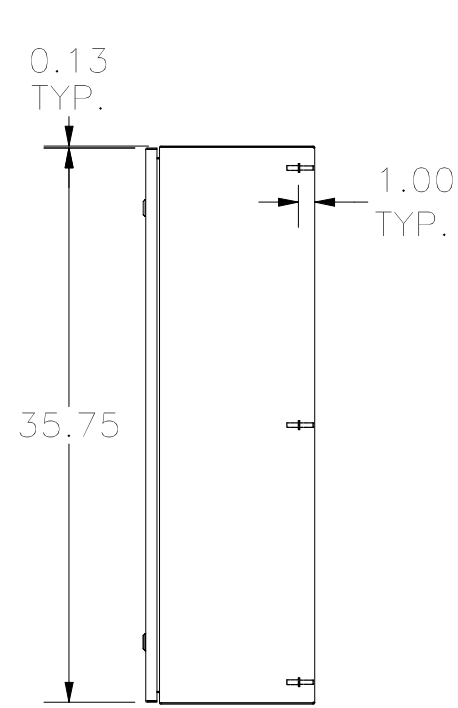




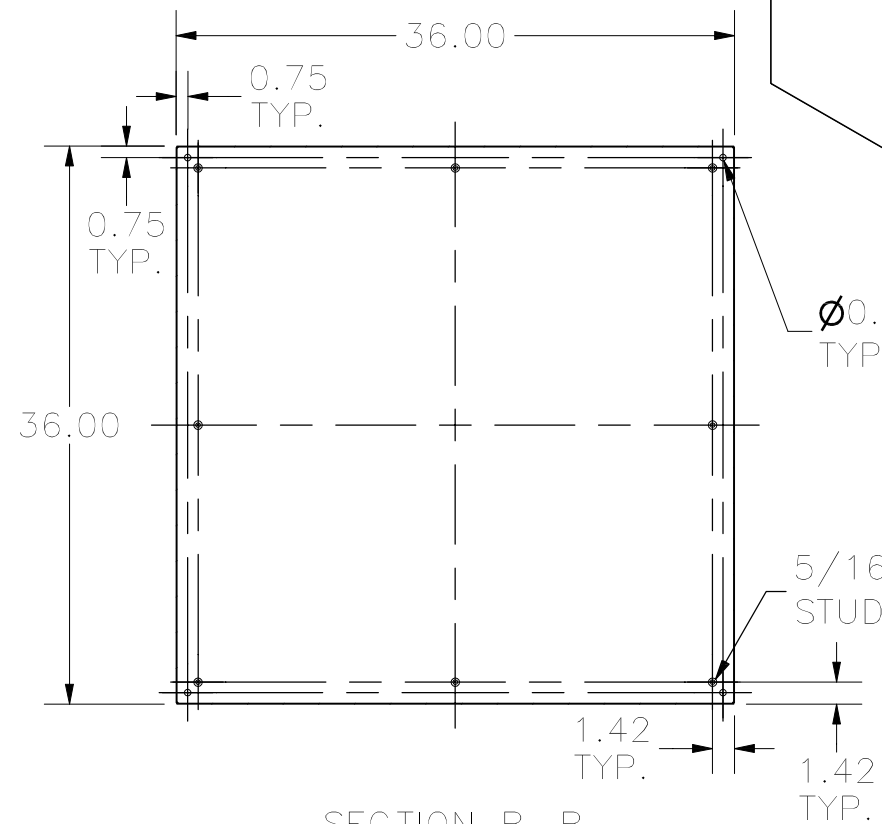
TOP VIEW



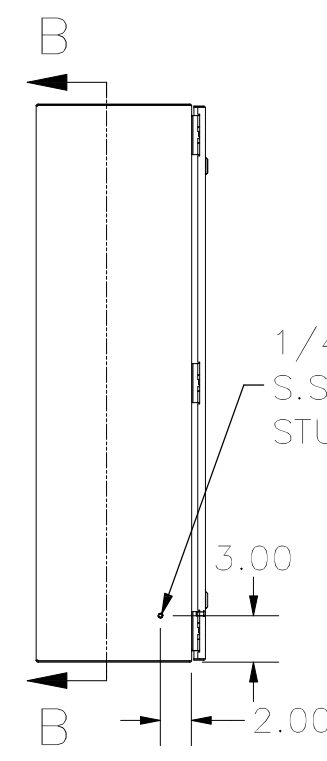
Ø0.44 MTG.  
TYP.



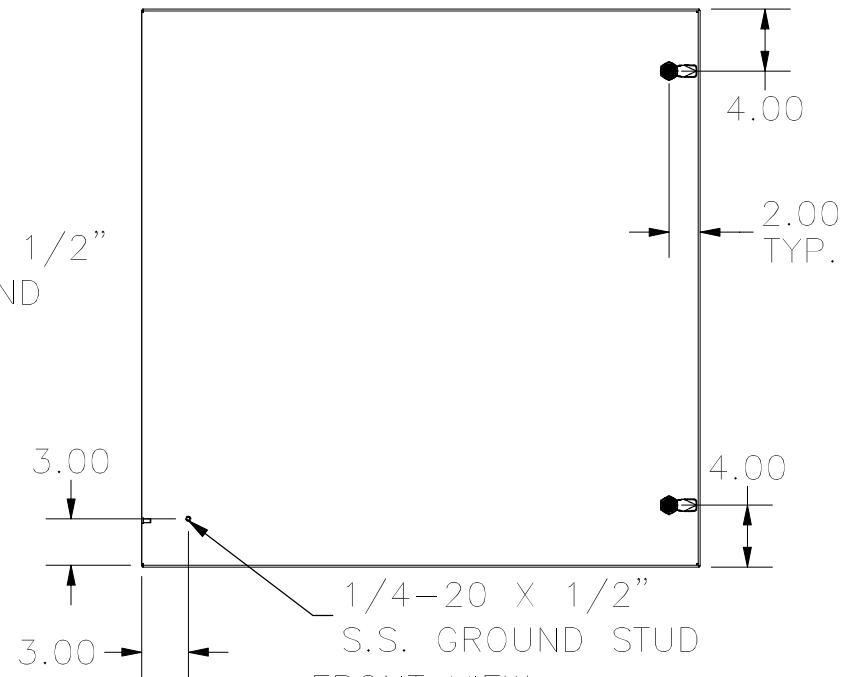
RIGHT SIDE VIEW



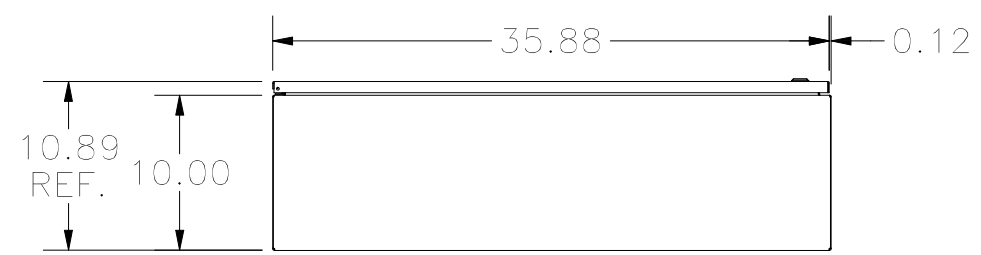
SECTION B-B  
(INSIDE BACK OF ENCLOSURE)



LEFT SIDE VIEW



FRONT VIEW



BOTTOM VIEW

PART#: N412363610C  
(DATA SUBJECT TO CHANGE WITHOUT NOTICE)

THIS DRAWING IS PROPERTY OF HUBBELL INC. WIEGMANN  
ALL INFORMATION IS PROPRIETARY AND NOT TO BE DUPLICATED