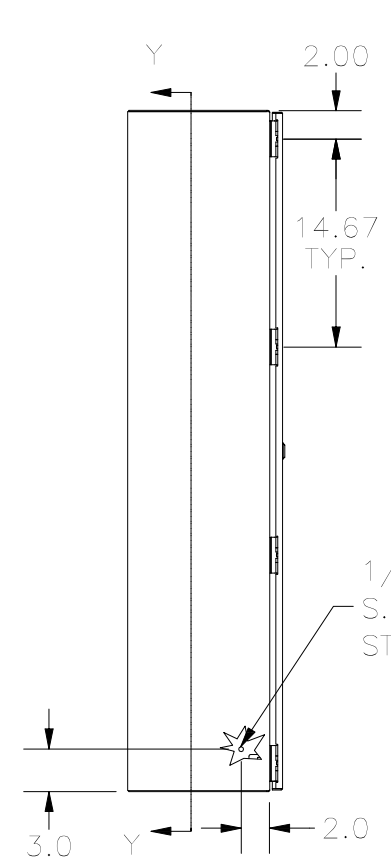
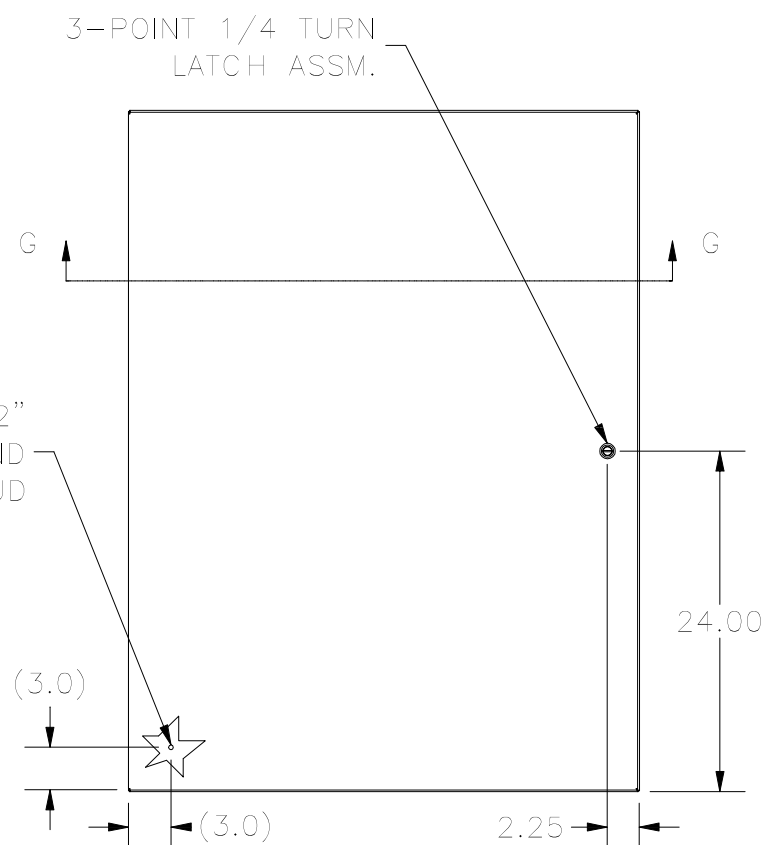


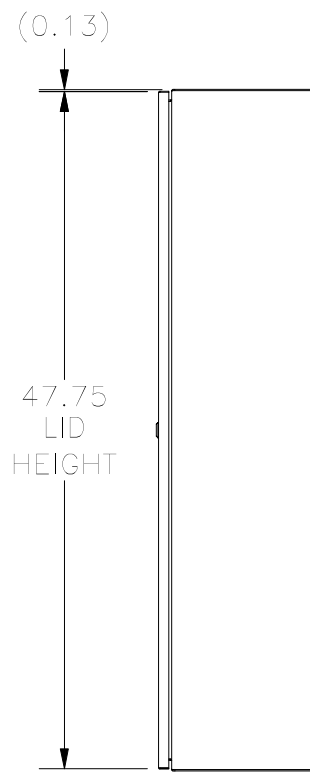
TOP VIEW



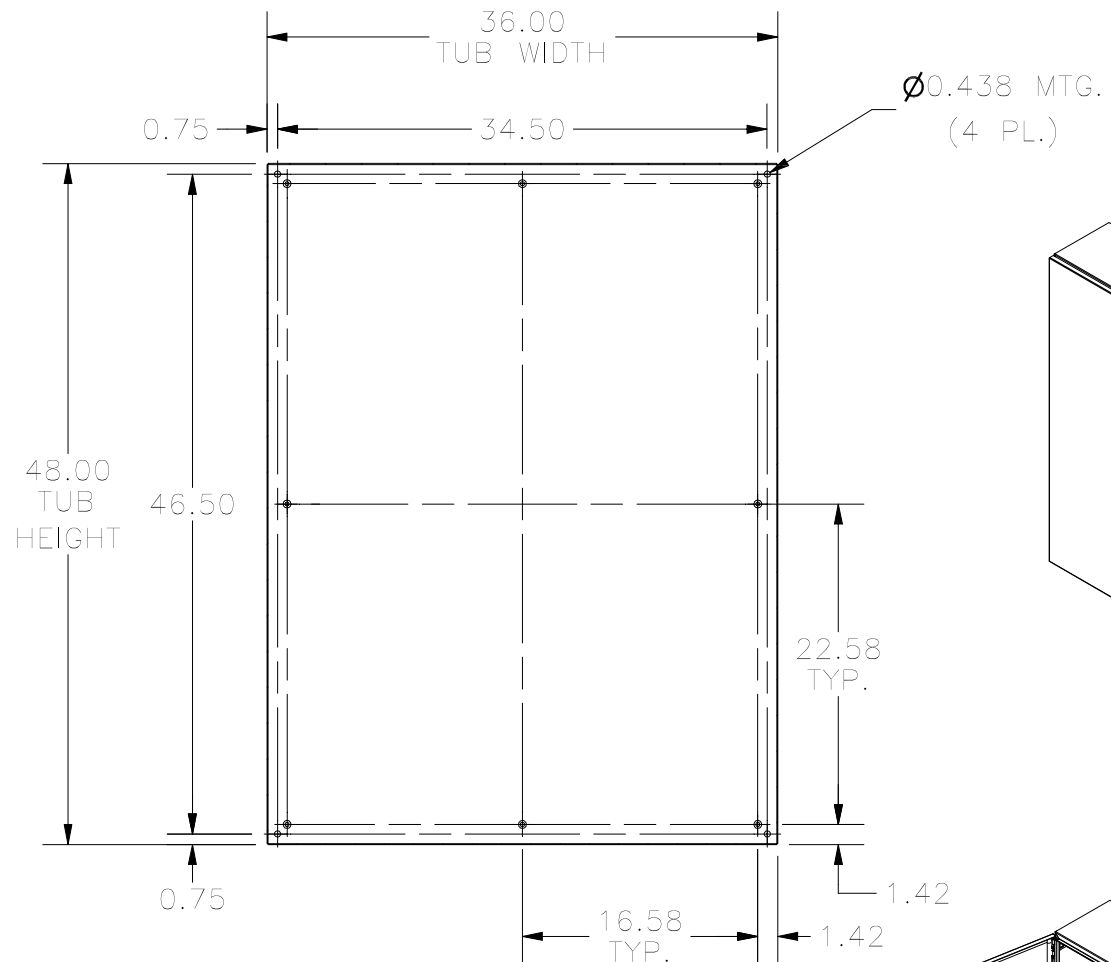
LEFT SIDE VIEW



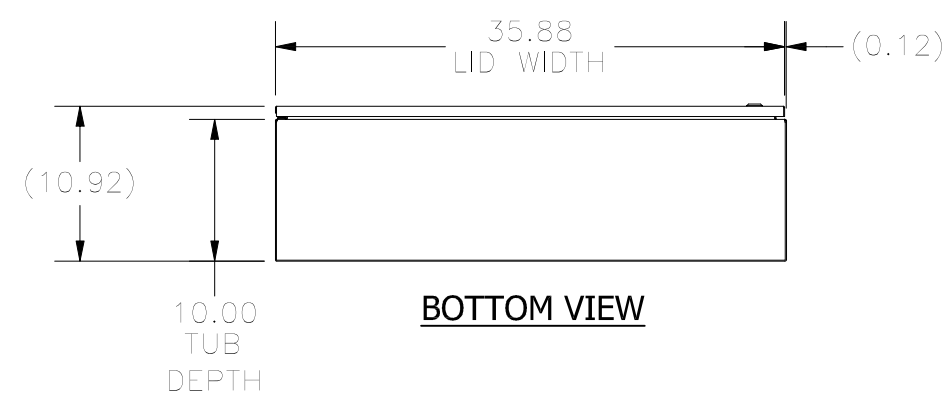
FRONT VIEW



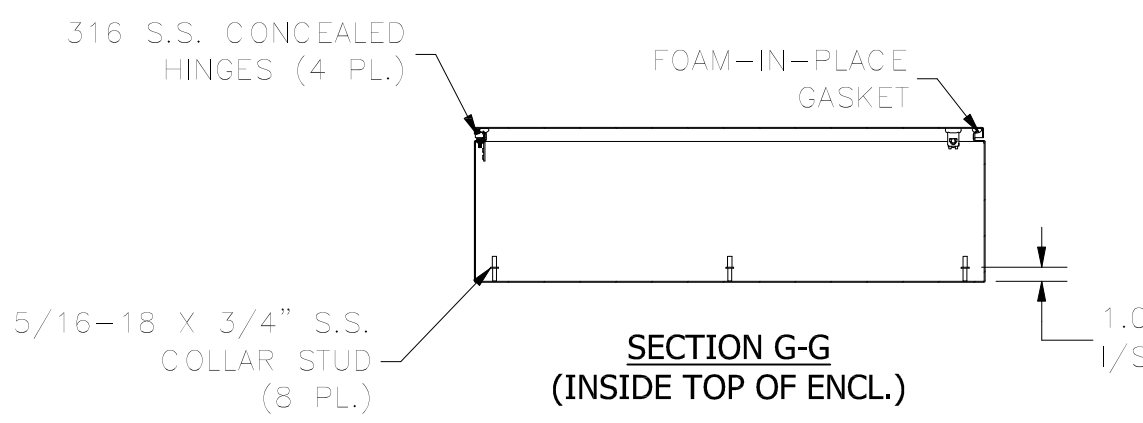
RIGHT SIDE VIEW



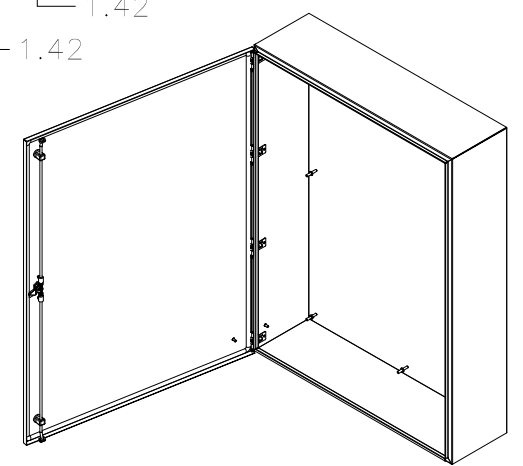
**SECTION Y-Y
(INSIDE BACK OF ENCL.)**



BOTTOM VIEW



**SECTION G-G
(INSIDE TOP OF ENCL.)**



PART #: N412483610SSC
(DATA SUBJECT TO CHANGE WITHOUT NOTICE.)

THIS DRAWING IS PROPERTY OF HUBBELL INC. WIEGMANN
ALL INFORMATION IS PROPRIETARY AND NOT TO BE DUPLICATED