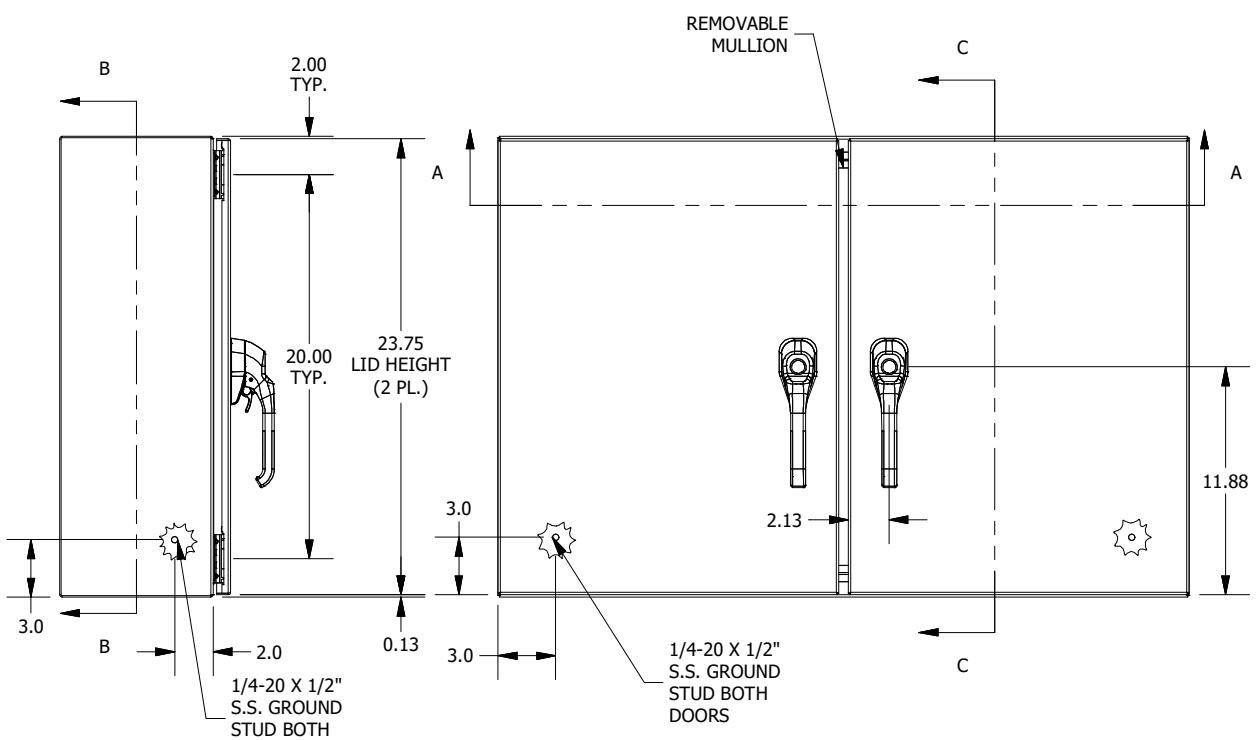
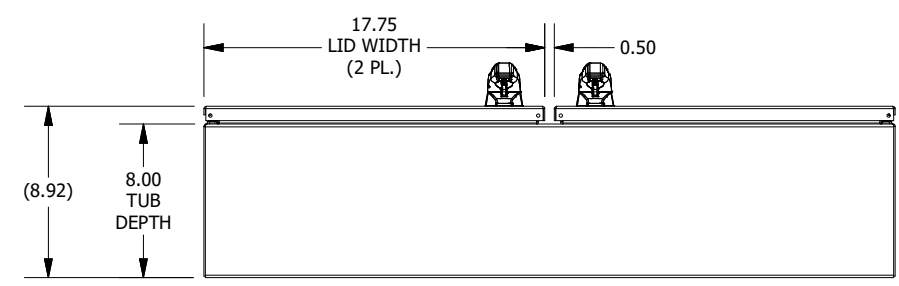


TOP VIEW

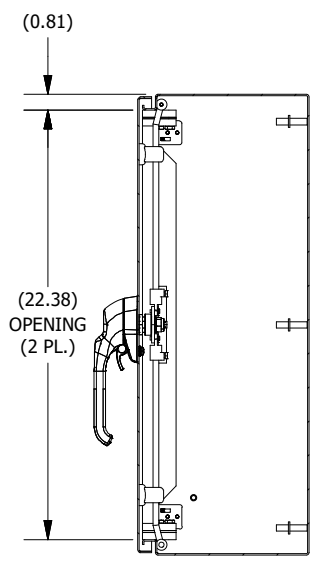


FRONT VIEW

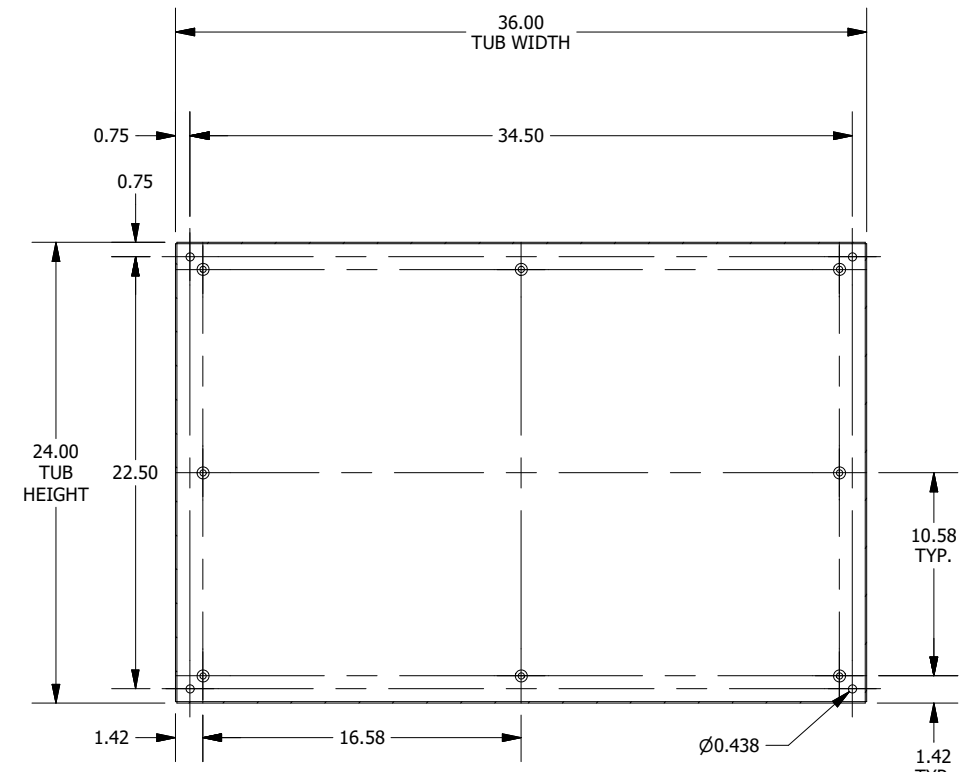
LEFT SIDE VIEW



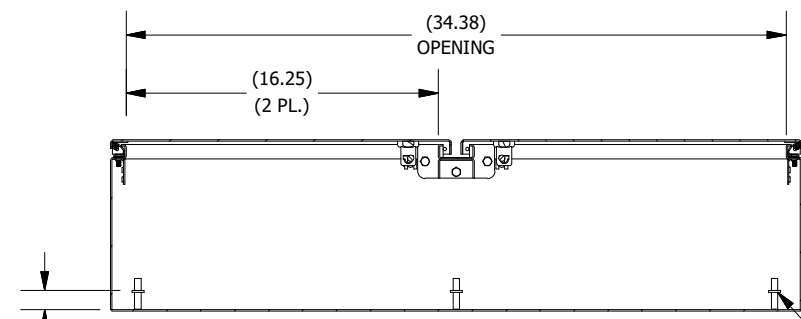
BOTTOM VIEW



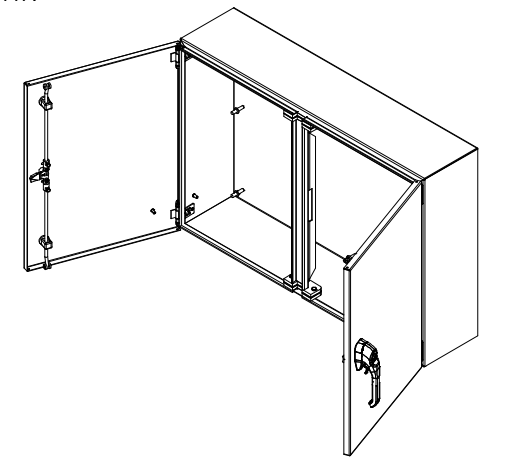
**SECTION C-C
(INSIDE LEFT OF ENCL.)**



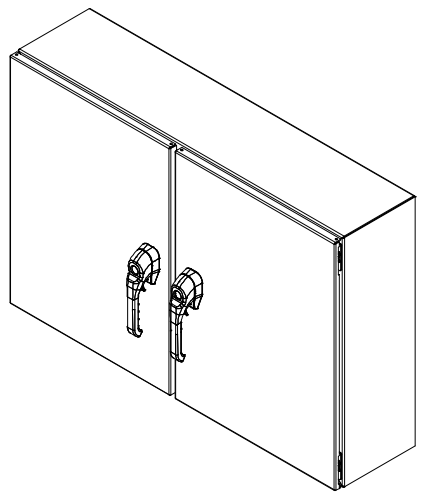
**SECTION B-B
(INSIDE BACK OF ENCL.)**



**SECTION A-A
(INSIDE TOP OF ENCLOSURE)**



**3/8-16 X 5/8"
COLLAR STUD (8 PL.)**



PART #:N412D243608C
 (DATA SUBJECT TO CHANGE WITHOUT NOTICE)
 THIS DRAWING IS THE PROPERTY OF HUBBELL INC. WIEGMANN
 ALL INFORMATION IS PROPRIETARY AND NOT TO BE DUPLICATED