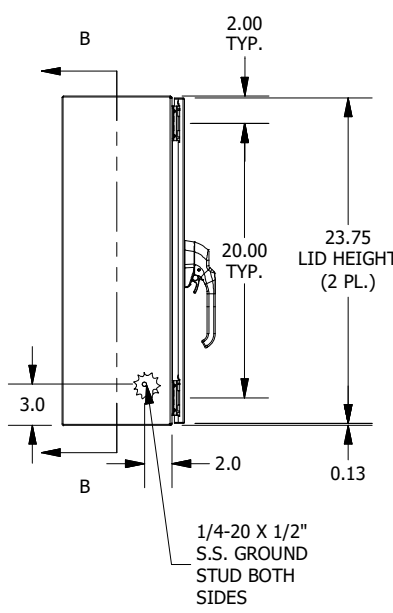
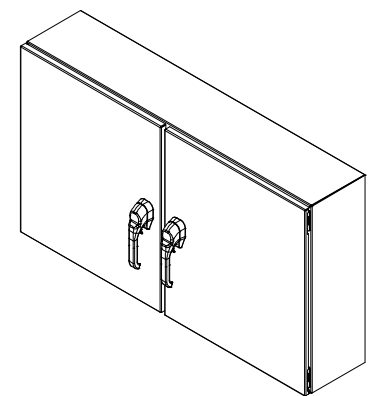
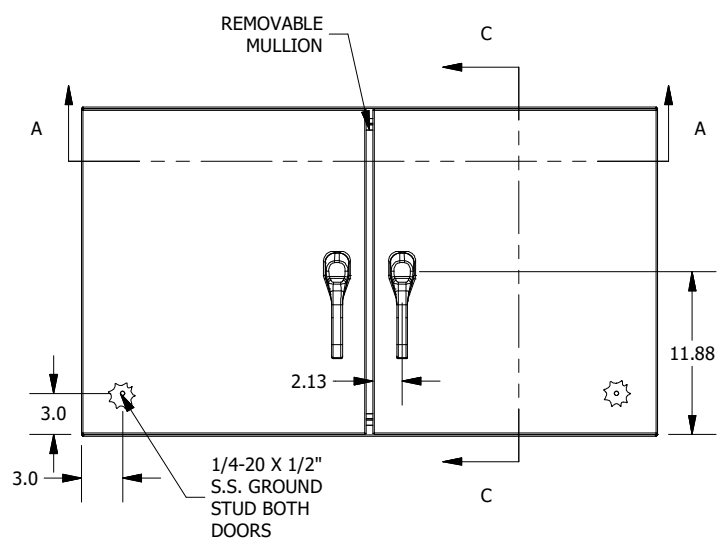


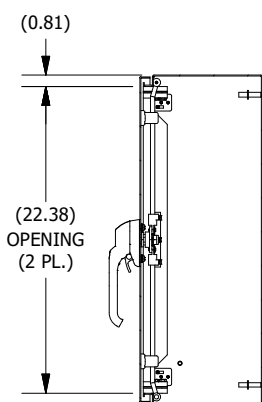
TOP VIEW



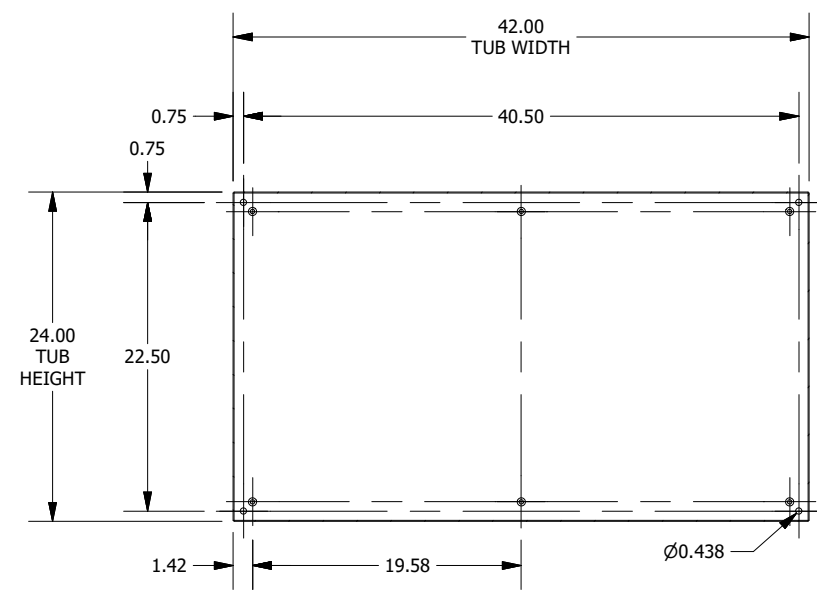
LEFT SIDE VIEW



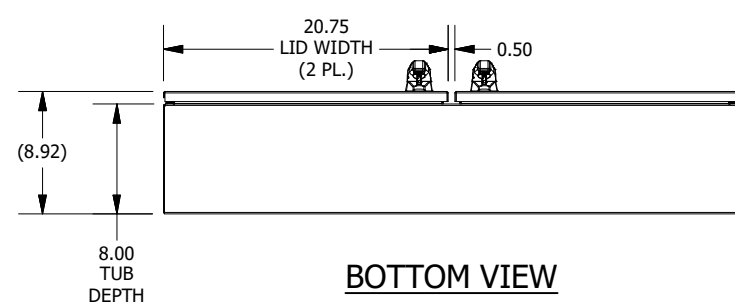
FRONT VIEW



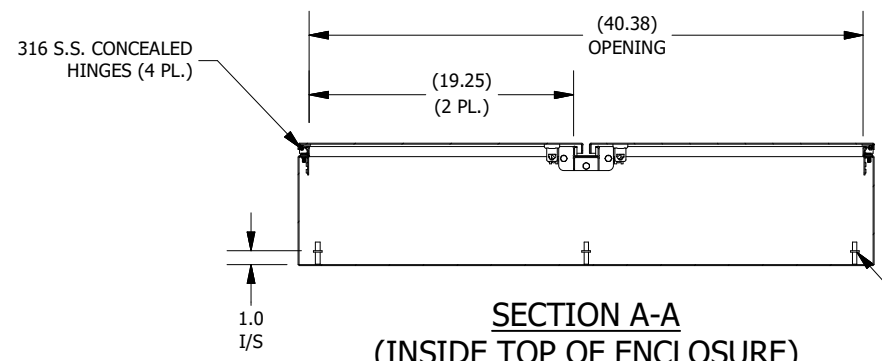
**SECTION C-C
(INSIDE LEFT OF ENCL.)**



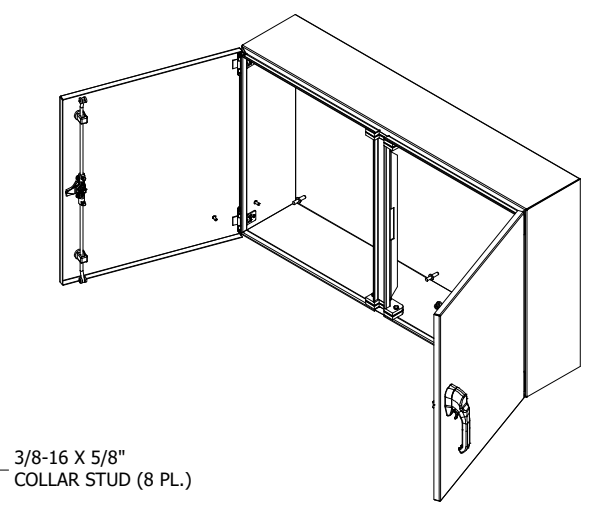
**SECTION B-B
(INSIDE BACK OF ENCL.)**



BOTTOM VIEW



**SECTION A-A
(INSIDE TOP OF ENCLOSURE)**



PART #:N412D244208SSC
 (DATA SUBJECT TO CHANGE WITHOUT NOTICE)
 THIS DRAWING IS THE PROPERTY OF HUBBELL INC. WIEGMANN
 ALL INFORMATION IS PROPRIETARY AND NOT TO BE DUPLICATED