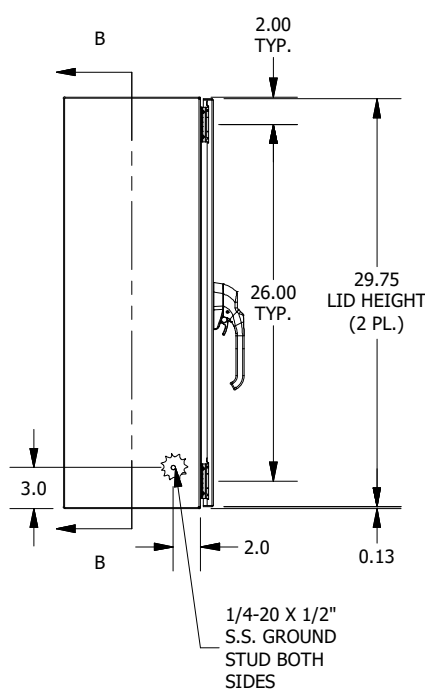
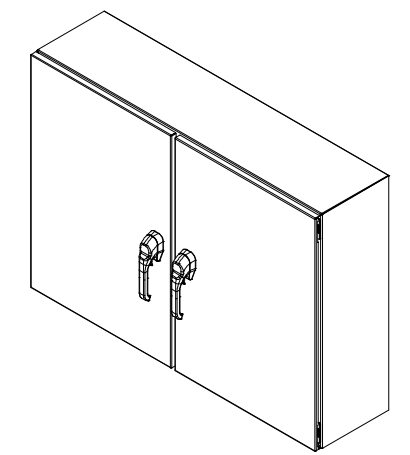
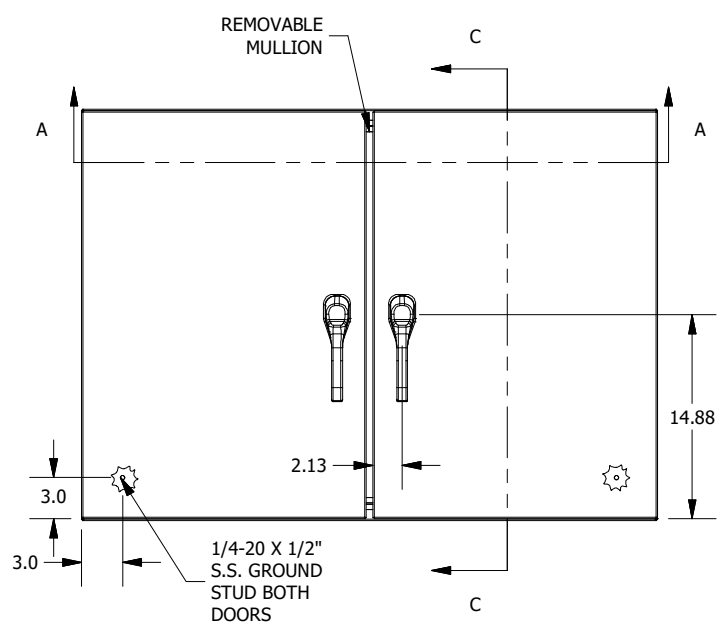


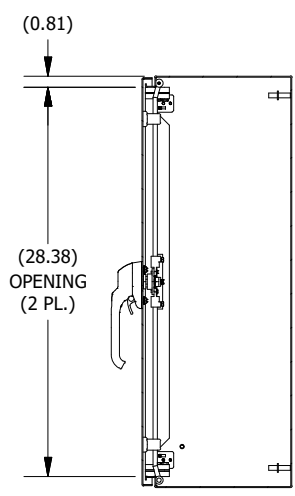
**TOP VIEW**



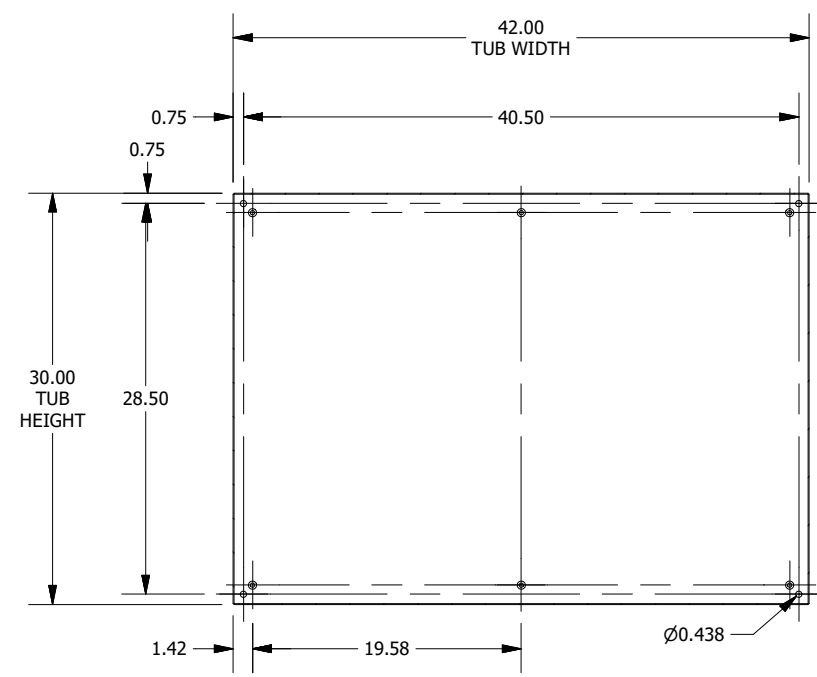
**LEFT SIDE VIEW**



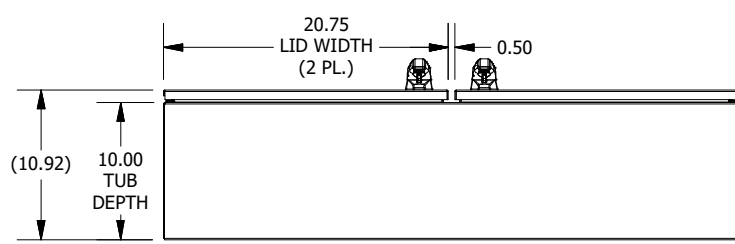
**FRONT VIEW**



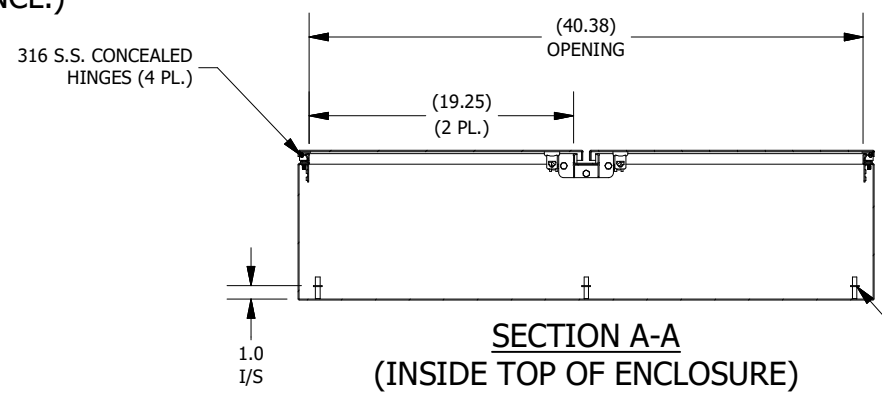
**SECTION C-C  
(INSIDE LEFT OF ENCL.)**



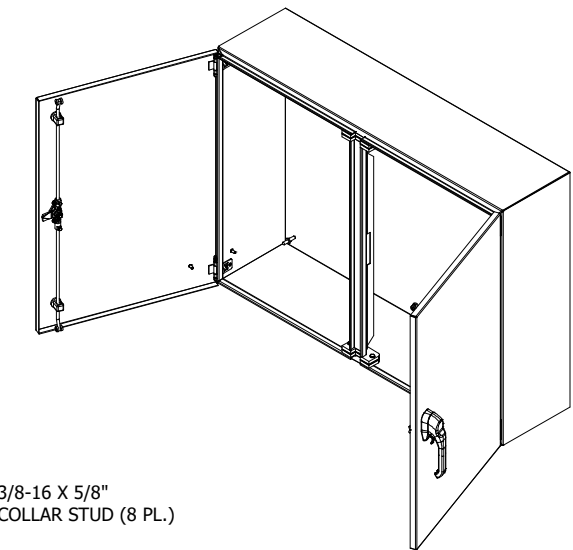
**SECTION B-B  
(INSIDE BACK OF ENCL.)**



**BOTTOM VIEW**



**SECTION A-A  
(INSIDE TOP OF ENCLOSURE)**



PART #:N412D304210SSC  
 (DATA SUBJECT TO CHANGE WITHOUT NOTICE)  
 THIS DRAWING IS THE PROPERTY OF HUBBELL INC. WIEGMANN  
 ALL INFORMATION IS PROPRIETARY AND NOT TO BE DUPLICATED