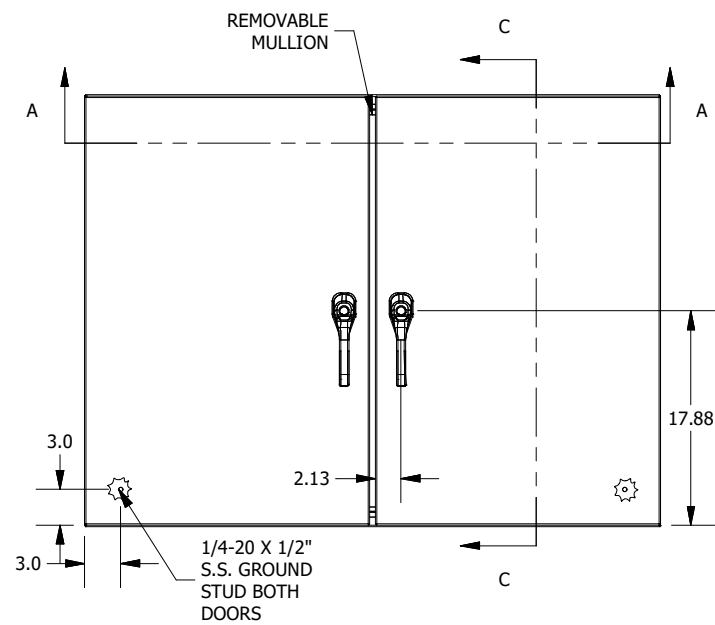
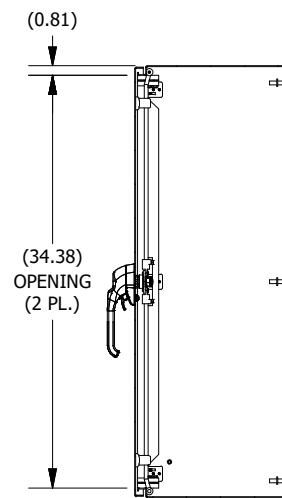


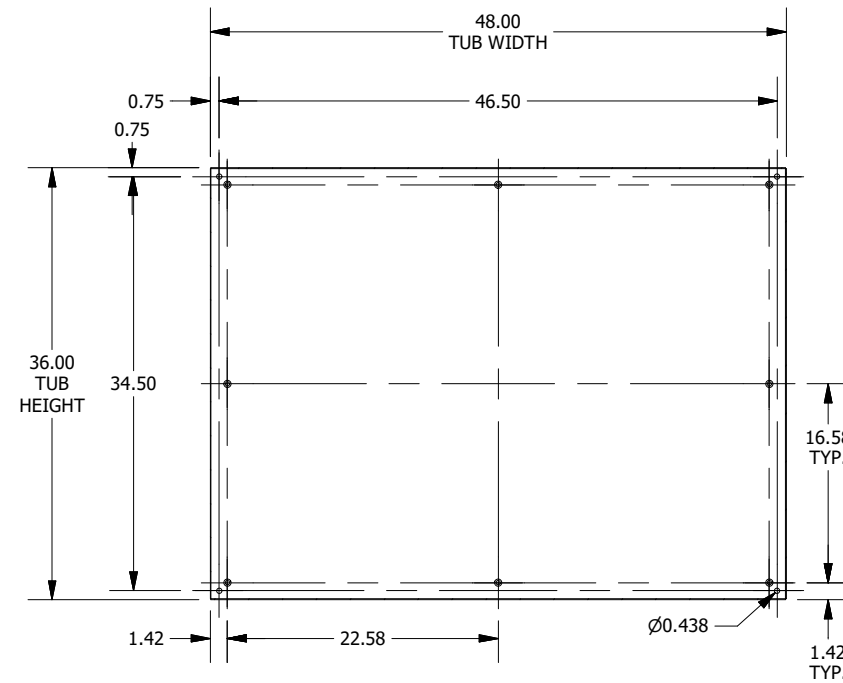
**LEFT SIDE VIEW**



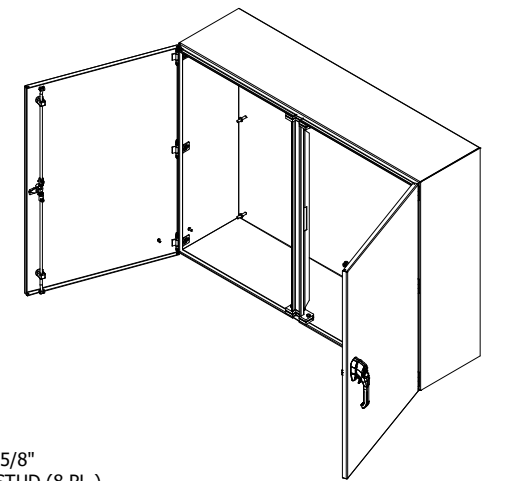
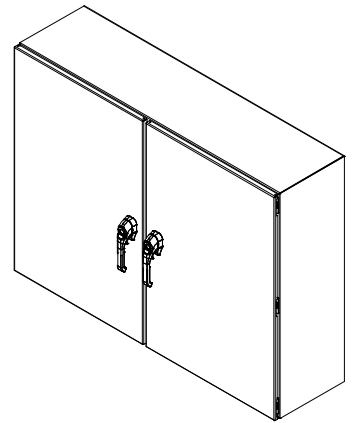
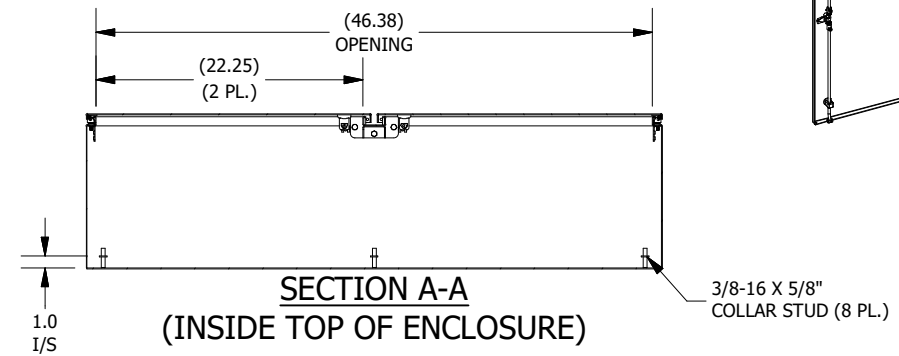
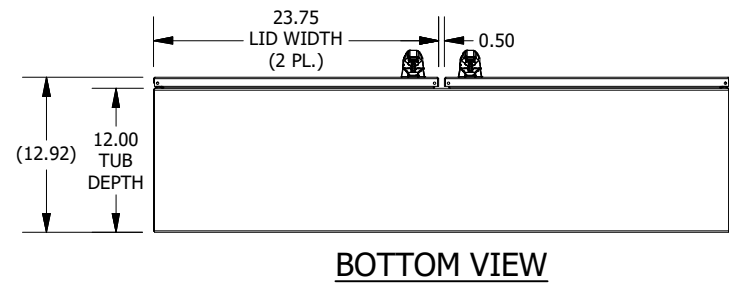
**FRONT VIEW**



**SECTION C-C  
(INSIDE LEFT OF ENCL.)**



**SECTION B-B  
(INSIDE BACK OF ENCL.)**



PART #:N412D364812C  
 (DATA SUBJECT TO CHANGE WITHOUT NOTICE)  
 THIS DRAWING IS THE PROPERTY OF HUBBELL INC. WIEGMANN  
 ALL INFORMATION IS PROPRIETARY AND NOT TO BE DUPLICATED