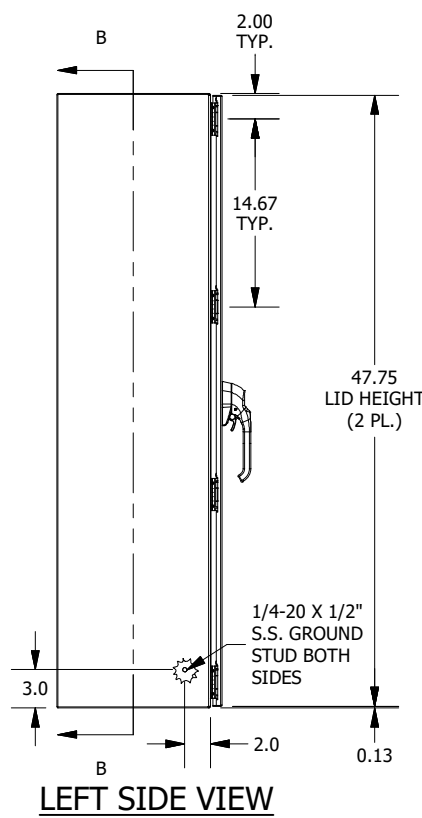
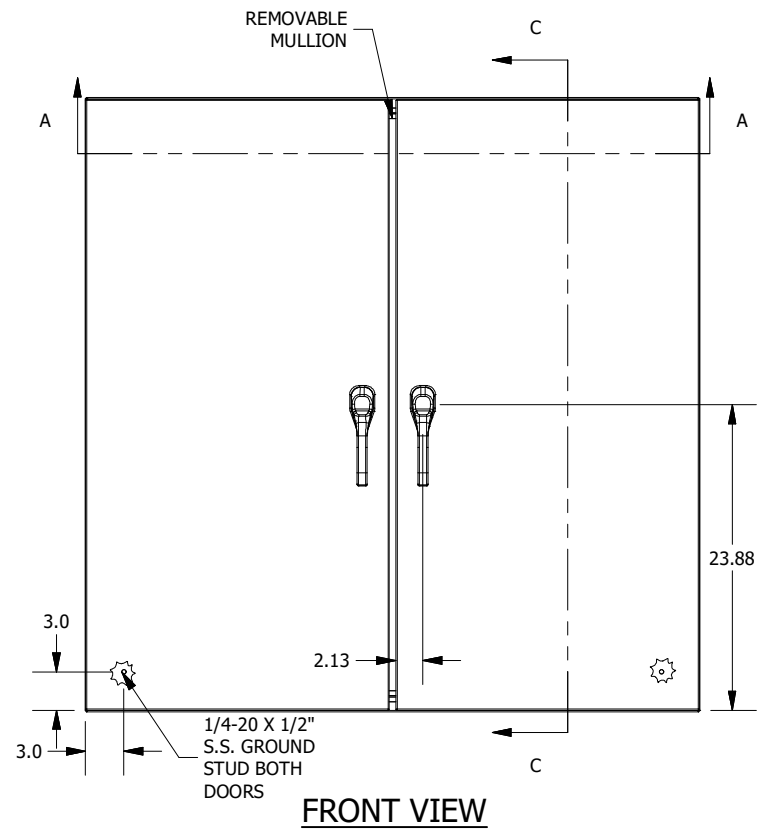


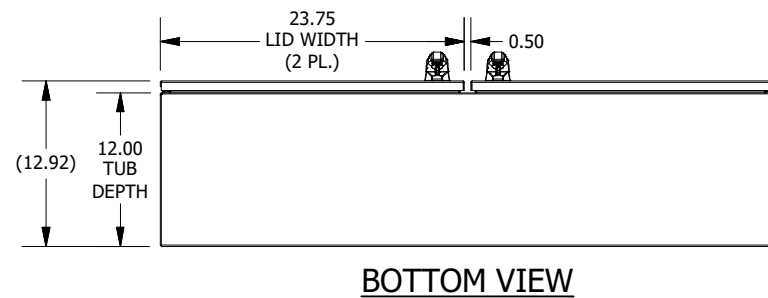
TOP VIEW



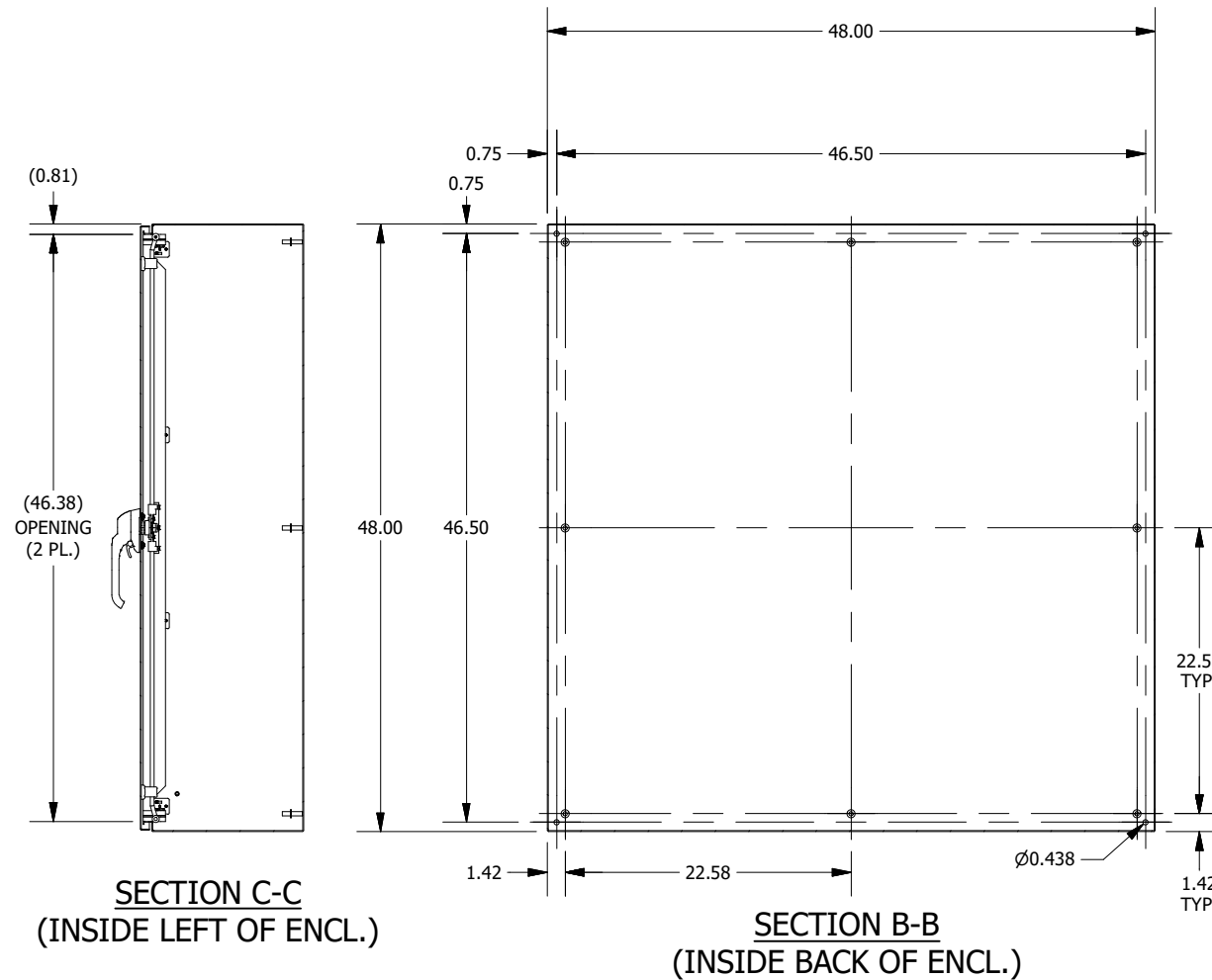
LEFT SIDE VIEW



FRONT VIEW

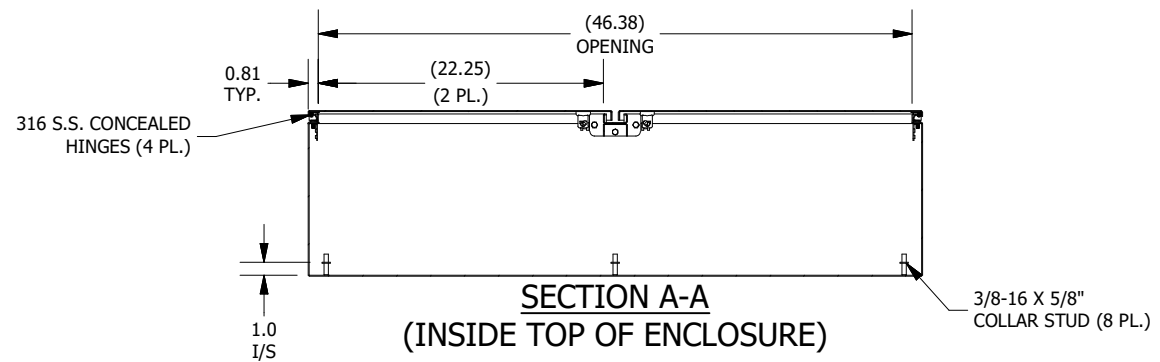


BOTTOM VIEW

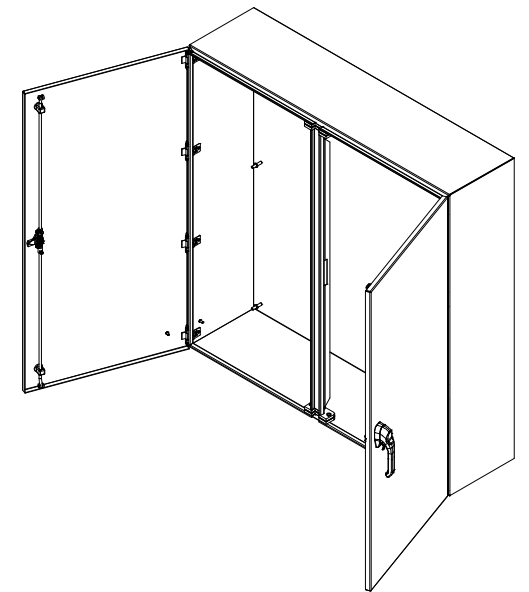
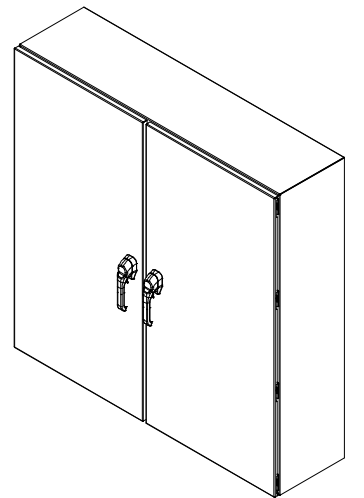


SECTION C-C
(INSIDE LEFT OF ENCL.)

SECTION B-B
(INSIDE BACK OF ENCL.)



SECTION A-A
(INSIDE TOP OF ENCLOSURE)



PART #:N412D484812SSC
(DATA SUBJECT TO CHANGE WITHOUT NOTICE)
THIS DRAWING IS THE PROPERTY OF HUBBELL INC. WIEGMANN
ALL INFORMATION IS PROPRIETARY AND NOT TO BE DUPLICATED