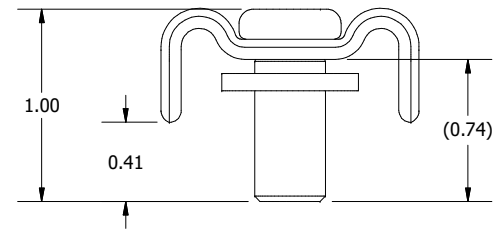


MTG. FT. ASSM. DETAIL (4 PL.)

MOUNTING FOOT  
(PART #: 34888)

3/8-16 S.S. HEX NUT  
(PART #: 349134)

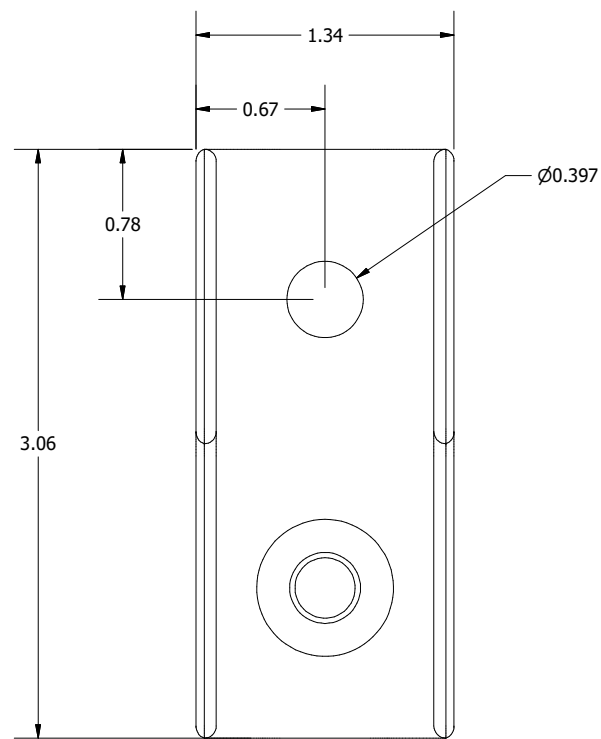
3/8\"/>



TOP VIEW

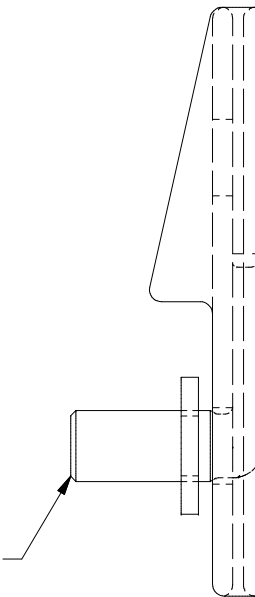
**PART #: N412MFK**  
**(DATA SUBJECT TO CHANGE WITHOUT NOTICE)**

THIS DRAWING IS PROPERTY OF HUBBELL INC. WIEGMANN ALL INFORMATION IS PROPRIETARY AND NOT TO BE DUPLICATED



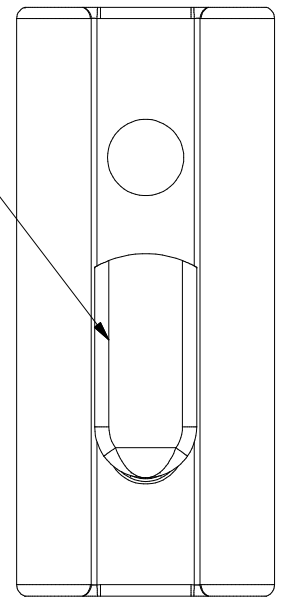
FRONT VIEW

3/8-16 X 1\"/>



RIGHT SIDE VIEW

SPOT WELD WELD  
STUD TO MTG. FOOT



REAR VIEW