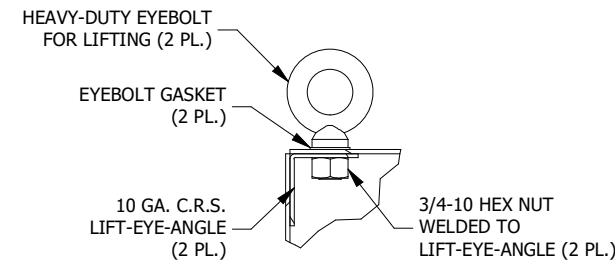
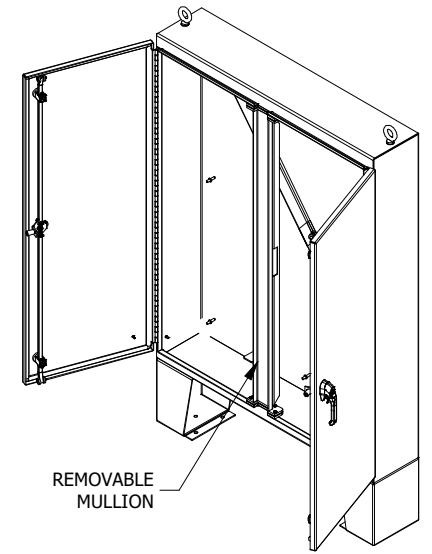


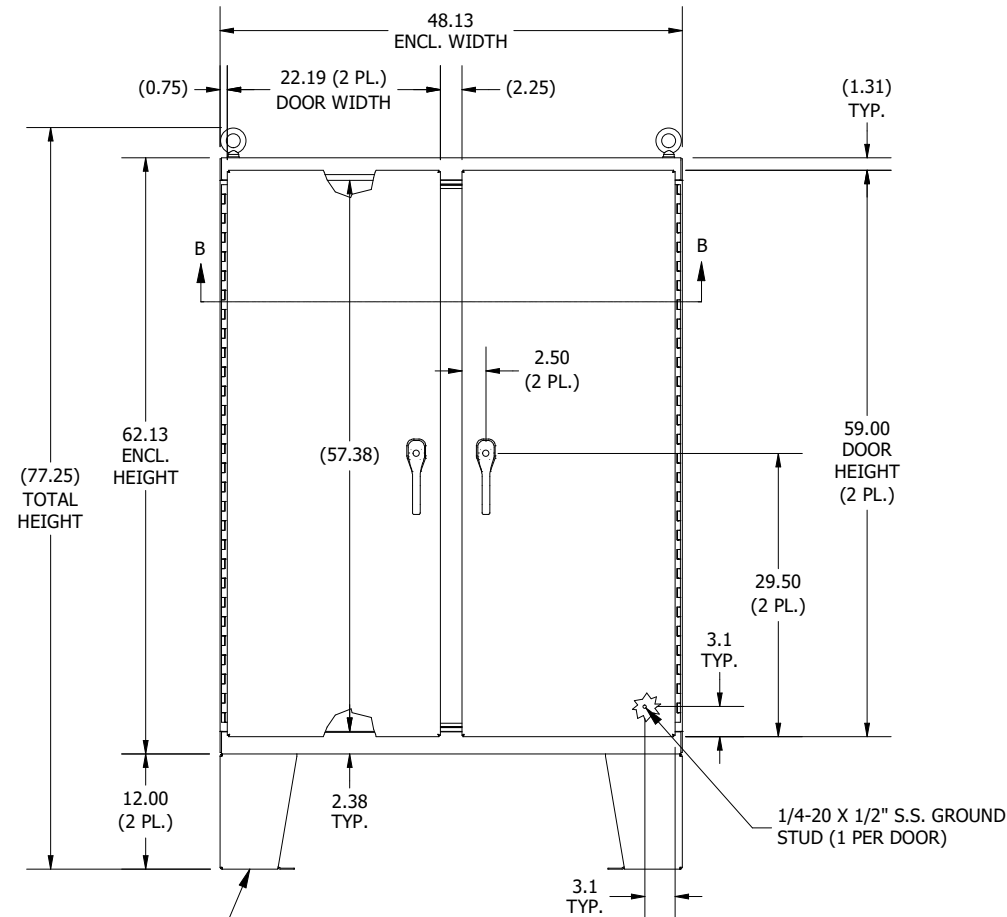
TOP VIEW



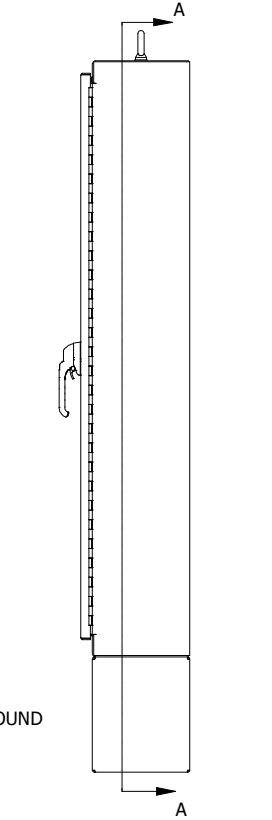
DETAIL A
(LIFT EYE ASSEMBLY VIEW)



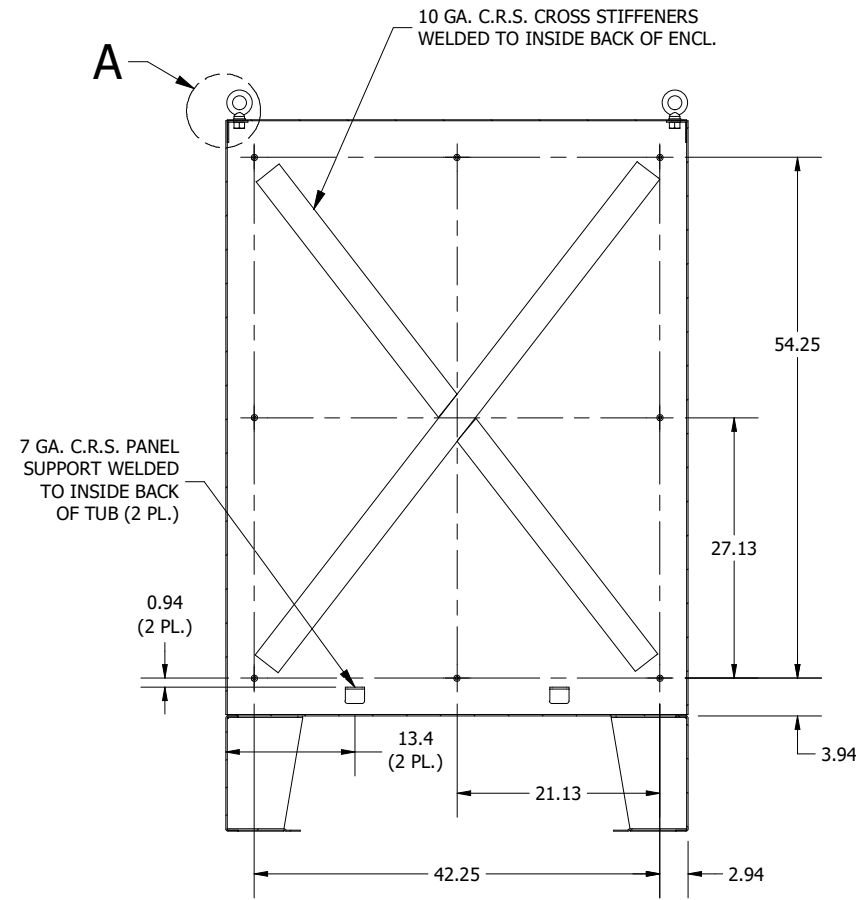
REMOVABLE MULLION



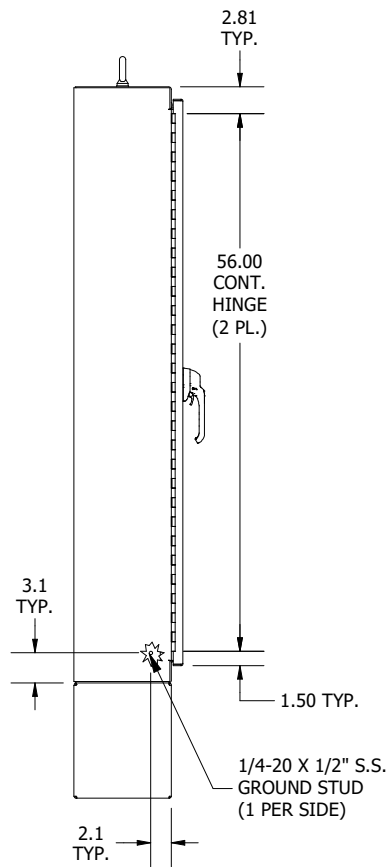
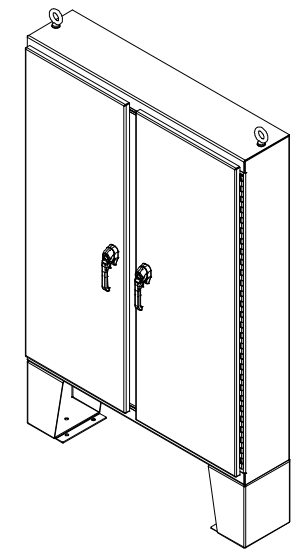
FRONT VIEW



RIGHT SIDE VIEW

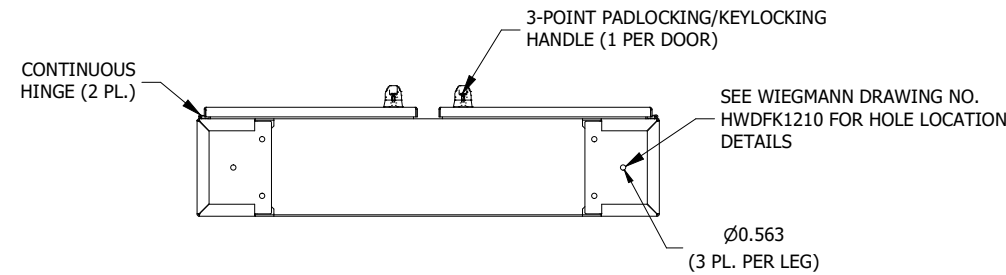


SECTION A-A
(INSIDE BACK OF ENCL.)

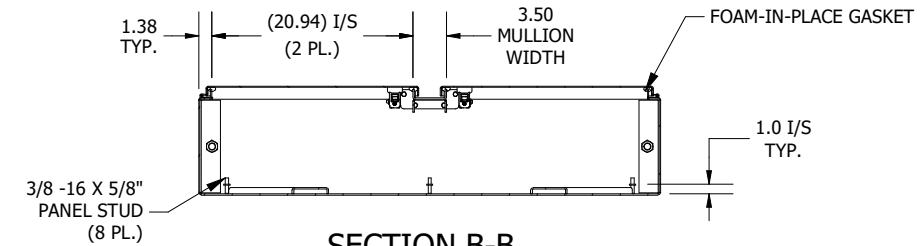


LEFT SIDE VIEW

10 GA. C.R.S. FLOOR STAND KIT WELDED TO BOTTOM OF TUB (2 PL.)



BOTTOM VIEW



SECTION B-B
(INSIDE TOP OF ENCL.)

PART #:N4D6248103PT
 (DATA SUBJECT TO CHANGE WITHOUT NOTICE)
 THIS DRAWING IS THE PROPERTY OF HUBBELL INC. WIEGMANN
 ALL INFORMATION IS PROPRIETARY AND NOT TO BE DUPLICATED