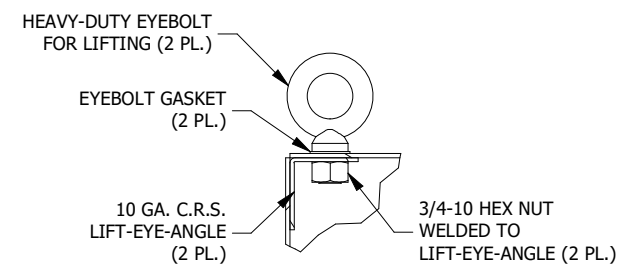
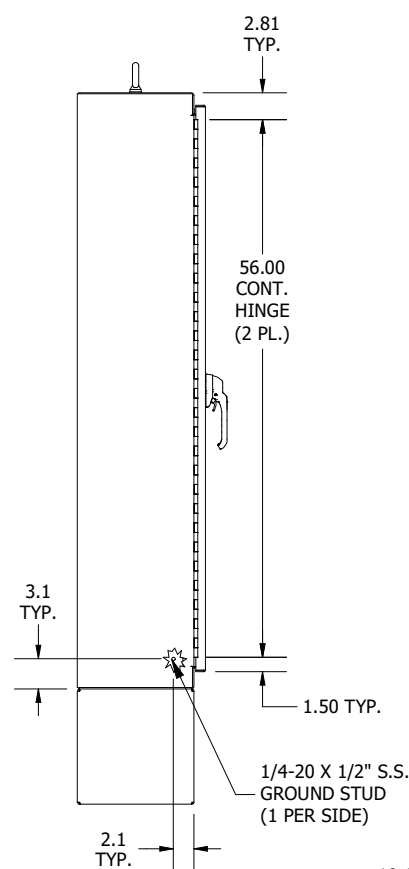


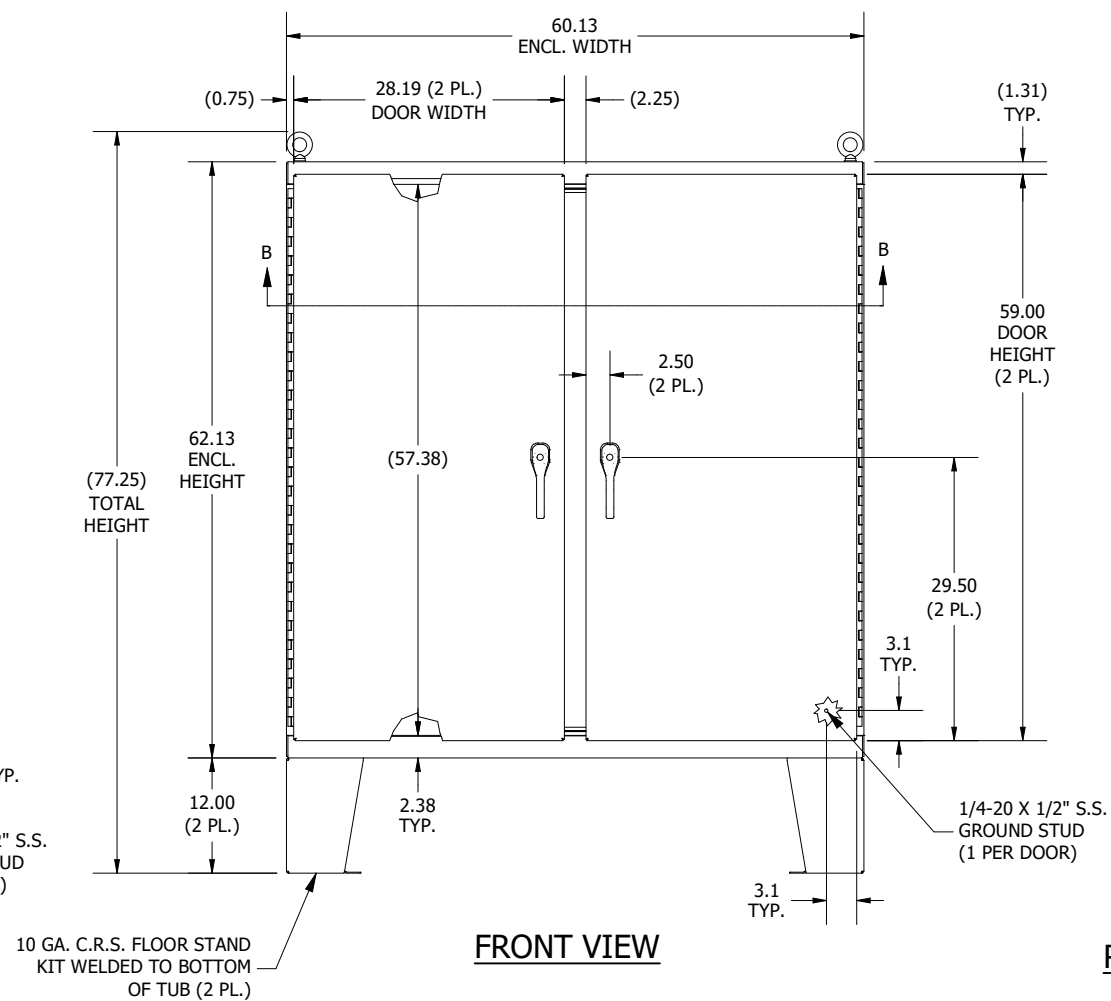
TOP VIEW



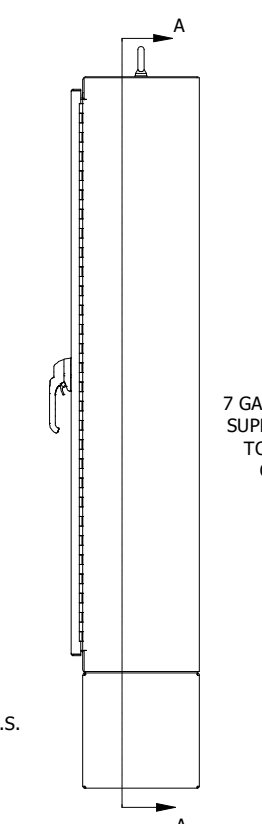
DETAIL A
(LIFT EYE ASSEMBLY VIEW)



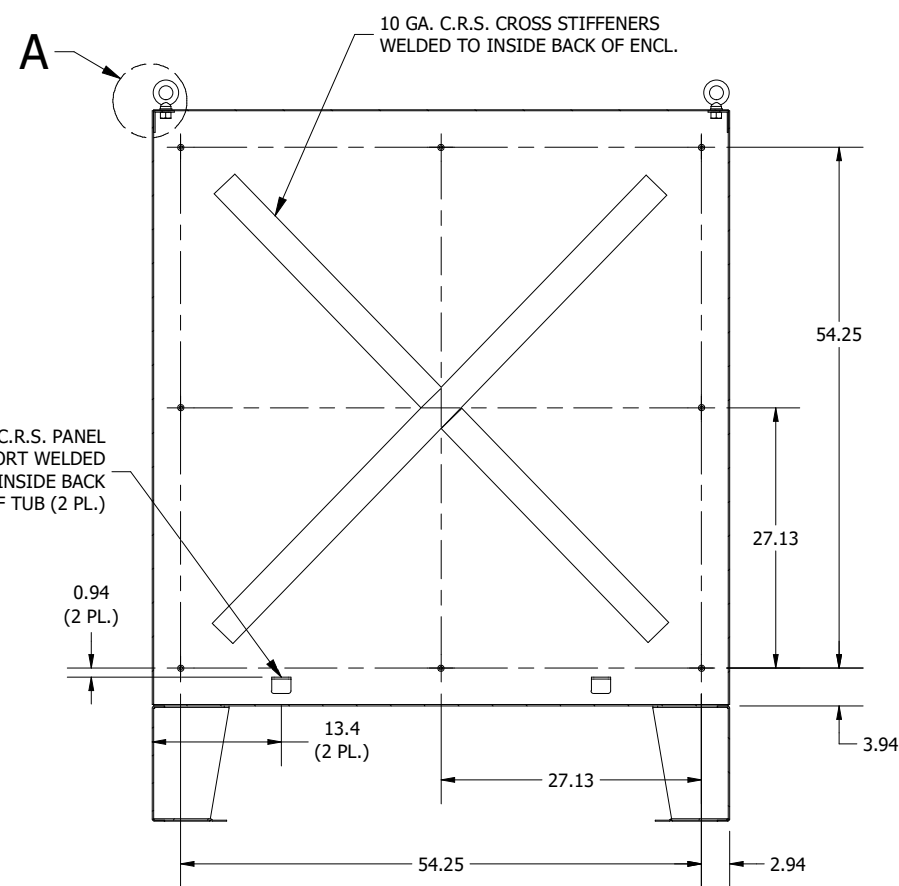
LEFT SIDE VIEW



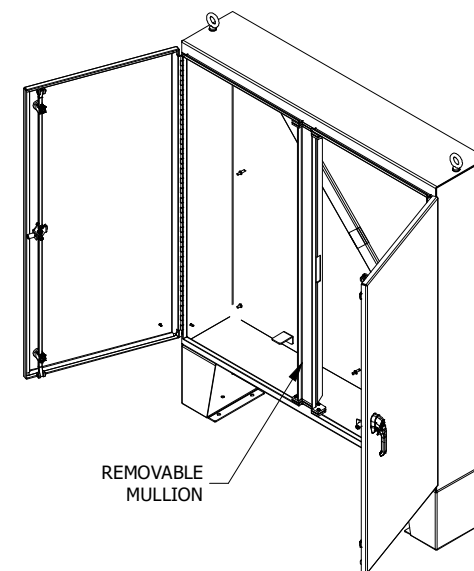
FRONT VIEW



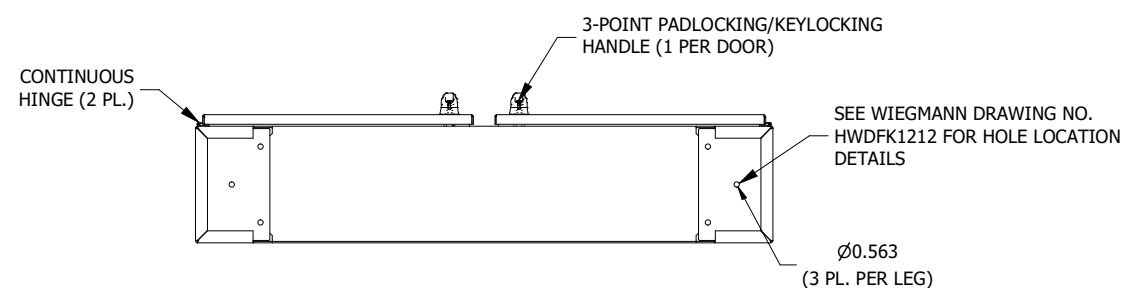
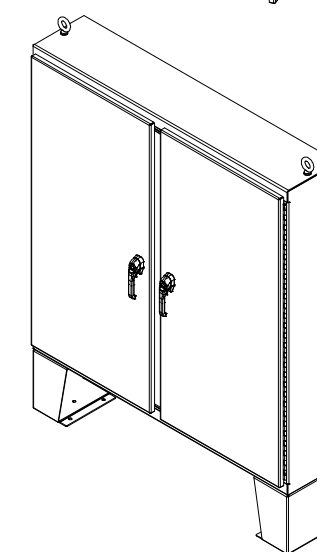
RIGHT SIDE VIEW



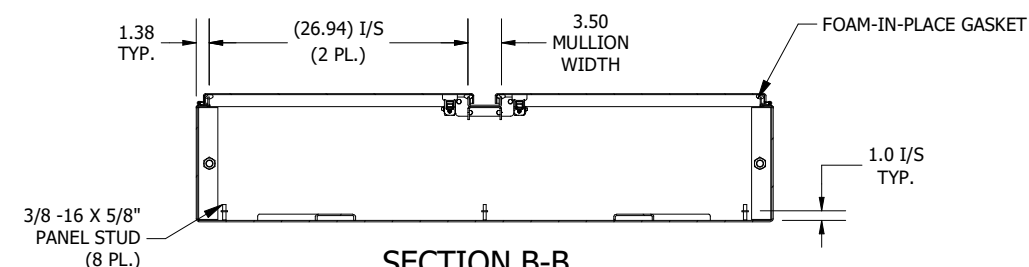
SECTION A-A
(INSIDE BACK OF ENCL.)



REMOVABLE MULLION



BOTTOM VIEW



SECTION B-B
(INSIDE TOP OF ENCL.)

PART #:N4D6260123PT
 (DATA SUBJECT TO CHANGE WITHOUT NOTICE)
 THIS DRAWING IS THE PROPERTY OF HUBBELL INC. WIEGMANN
 ALL INFORMATION IS PROPRIETARY AND NOT TO BE DUPLICATED