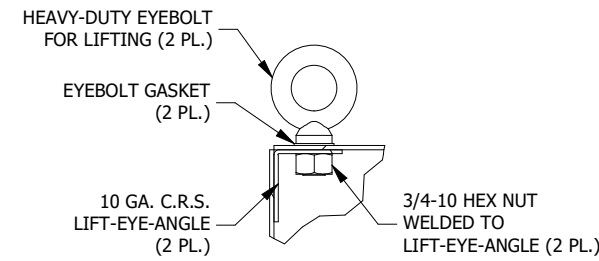
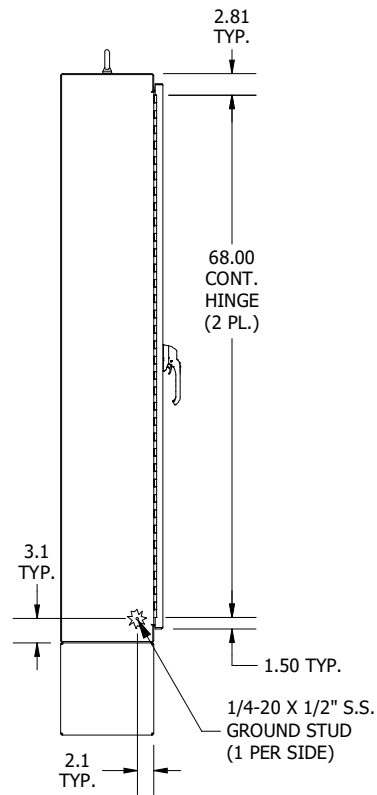


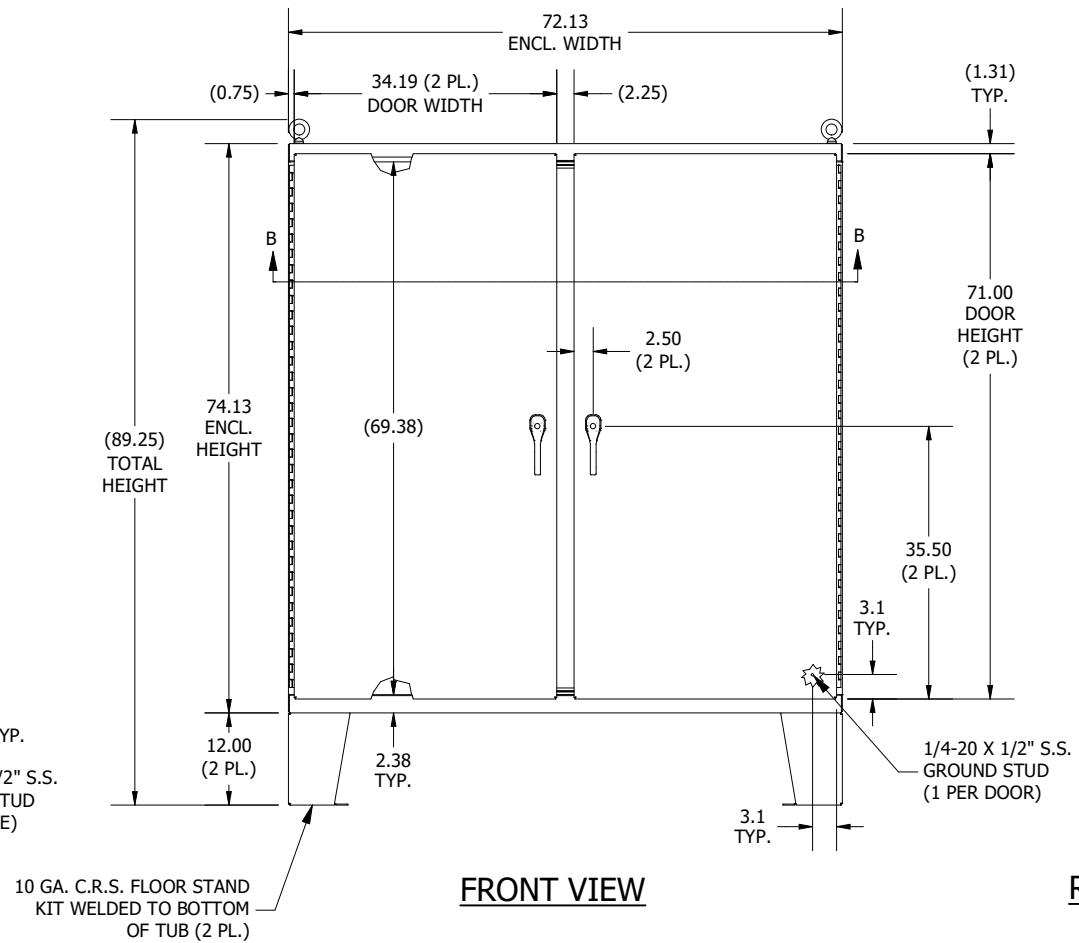
TOP VIEW



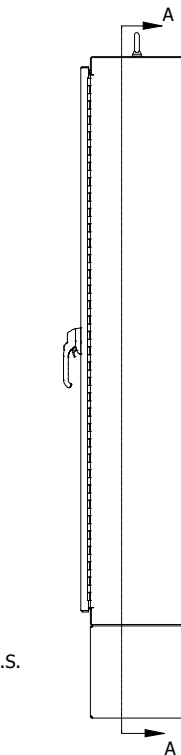
DETAIL A  
(LIFT EYE ASSEMBLY VIEW)



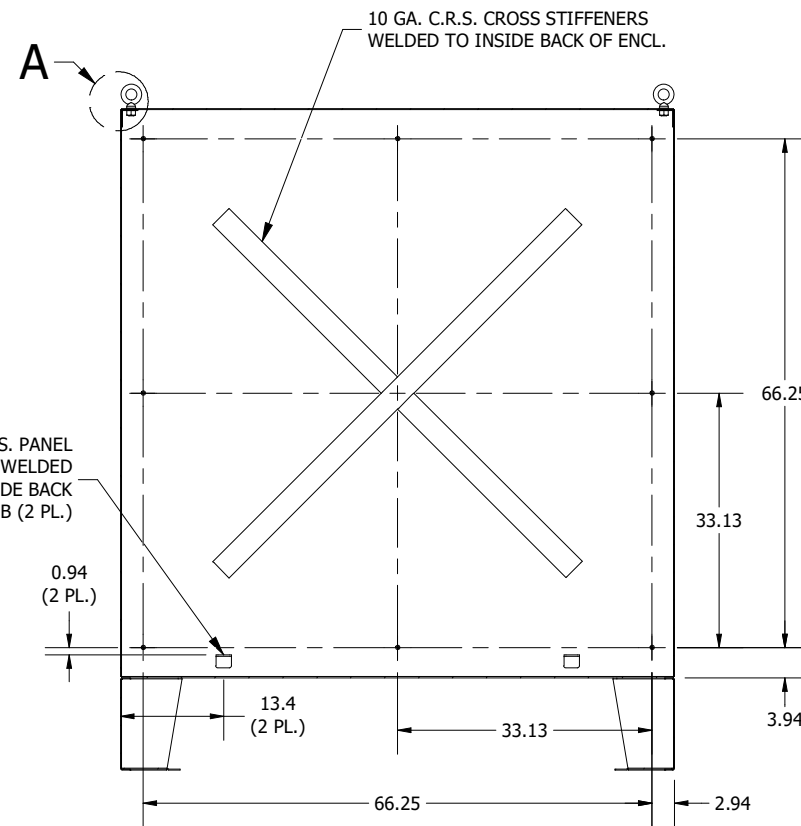
LEFT SIDE VIEW



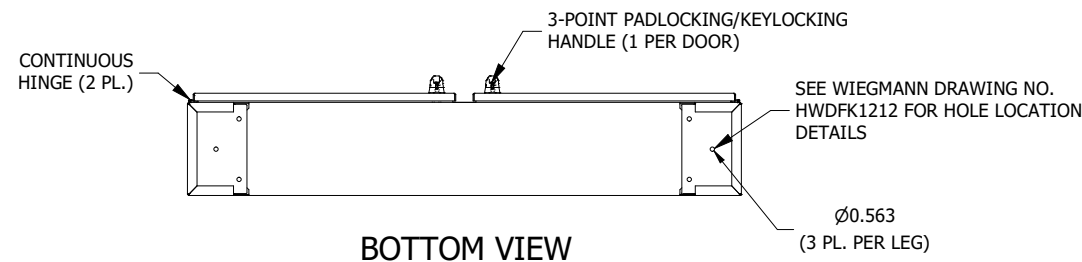
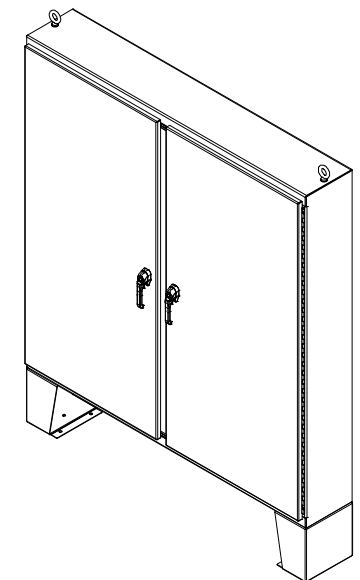
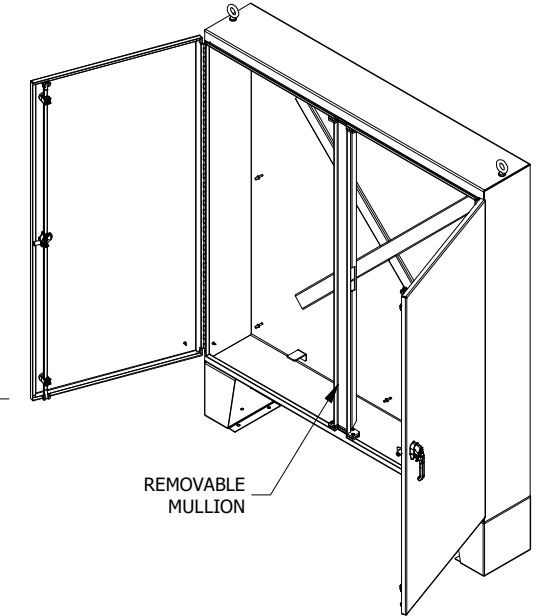
FRONT VIEW



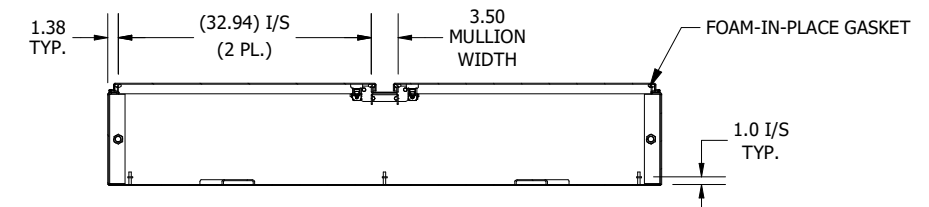
RIGHT SIDE VIEW



SECTION A-A  
(INSIDE BACK OF ENCL.)



BOTTOM VIEW



SECTION B-B  
(INSIDE TOP OF ENCL.)

PART #:N4D7472123PT  
(DATA SUBJECT TO CHANGE WITHOUT NOTICE)  
THIS DRAWING IS THE PROPERTY OF HUBBELL INC. WIEGMANN  
ALL INFORMATION IS PROPRIETARY AND NOT TO BE DUPLICATED