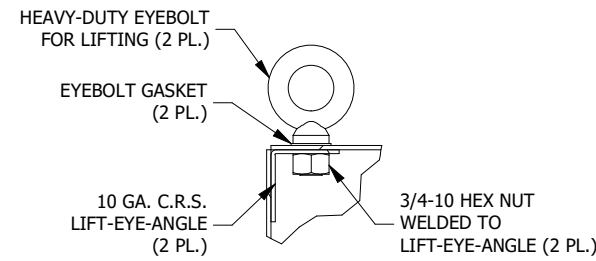
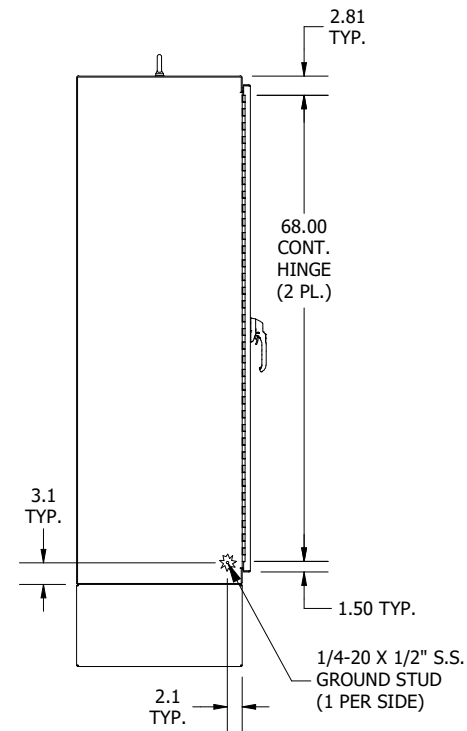


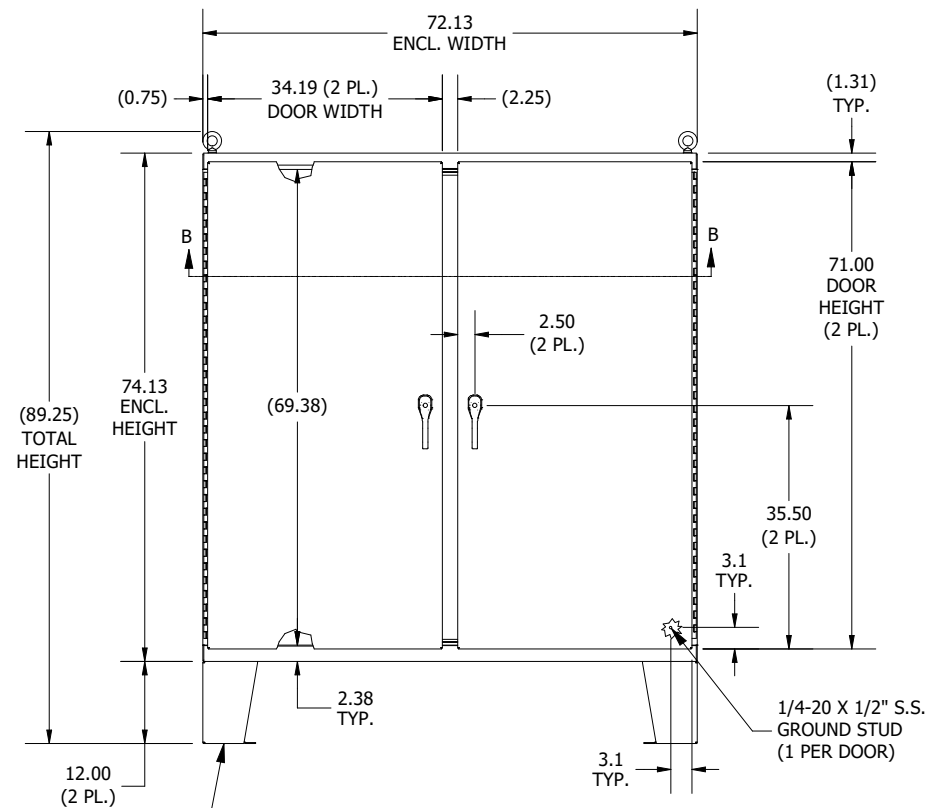
**TOP VIEW**



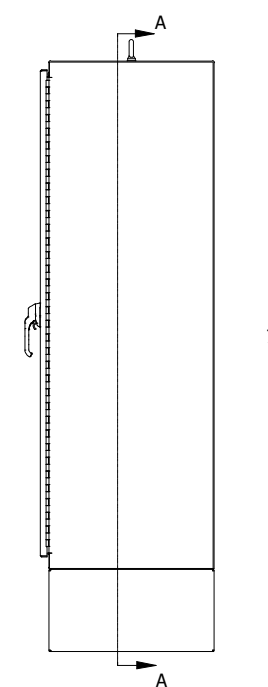
**DETAIL A**  
(LIFT EYE ASSEMBLY VIEW)



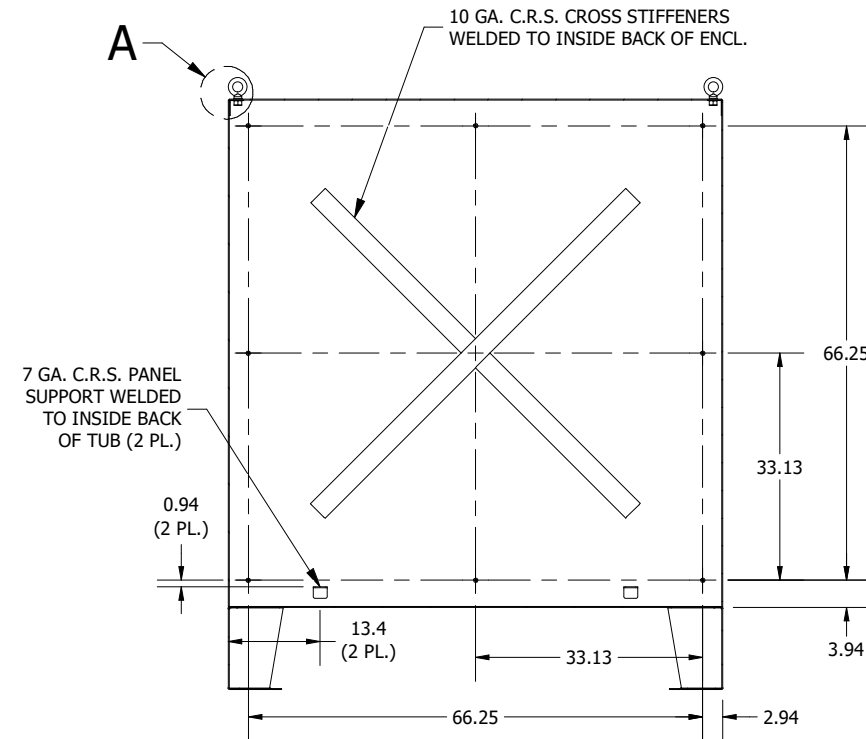
**LEFT SIDE VIEW**



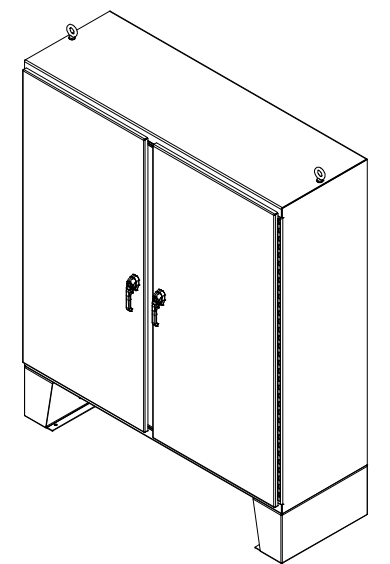
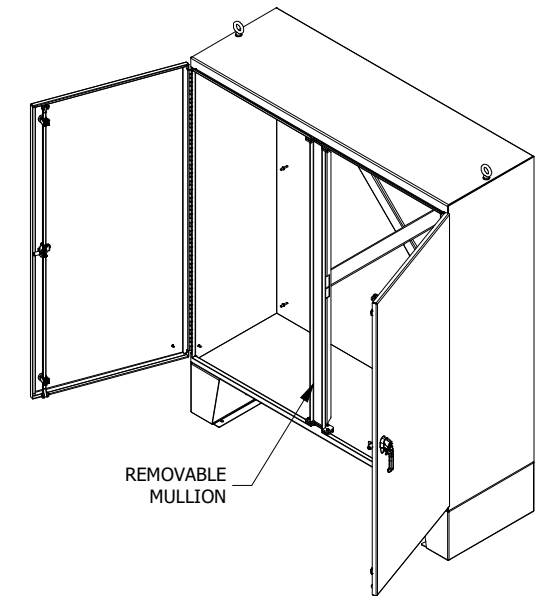
**FRONT VIEW**



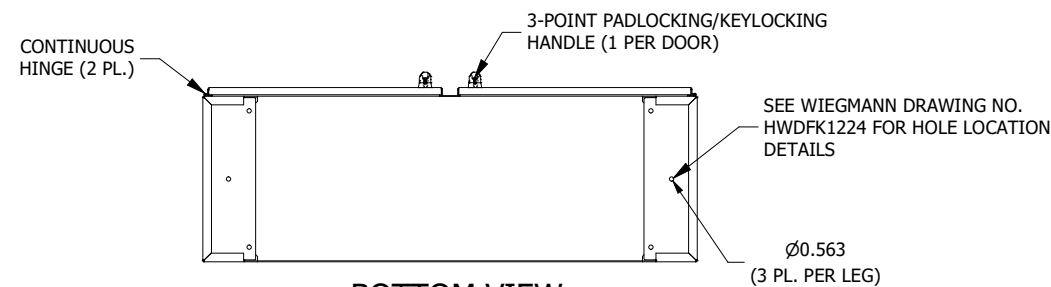
**RIGHT SIDE VIEW**



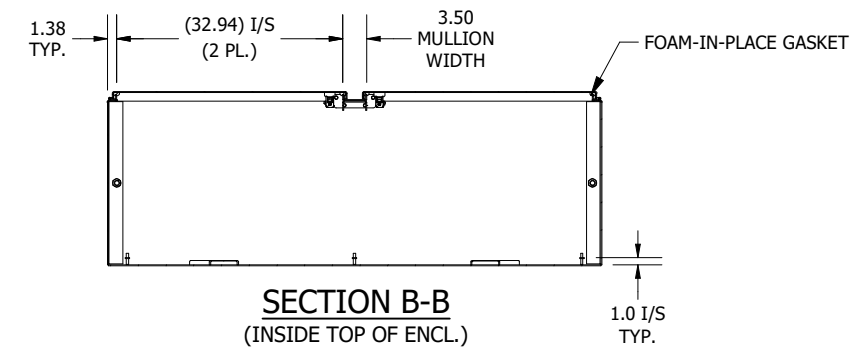
**SECTION A-A**  
(INSIDE BACK OF ENCL.)



10 GA. C.R.S. FLOOR STAND KIT WELDED TO BOTTOM OF TUB (2 PL.)



**BOTTOM VIEW**



**SECTION B-B**  
(INSIDE TOP OF ENCL.)

**PART #:N4D7472243PT**  
 (DATA SUBJECT TO CHANGE WITHOUT NOTICE)  
 THIS DRAWING IS THE PROPERTY OF HUBBELL INC. WIEGMANN  
 ALL INFORMATION IS PROPRIETARY AND NOT TO BE DUPLICATED