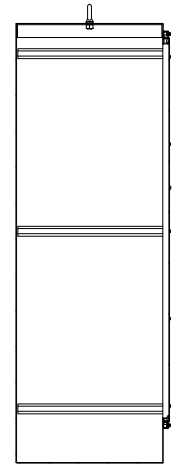
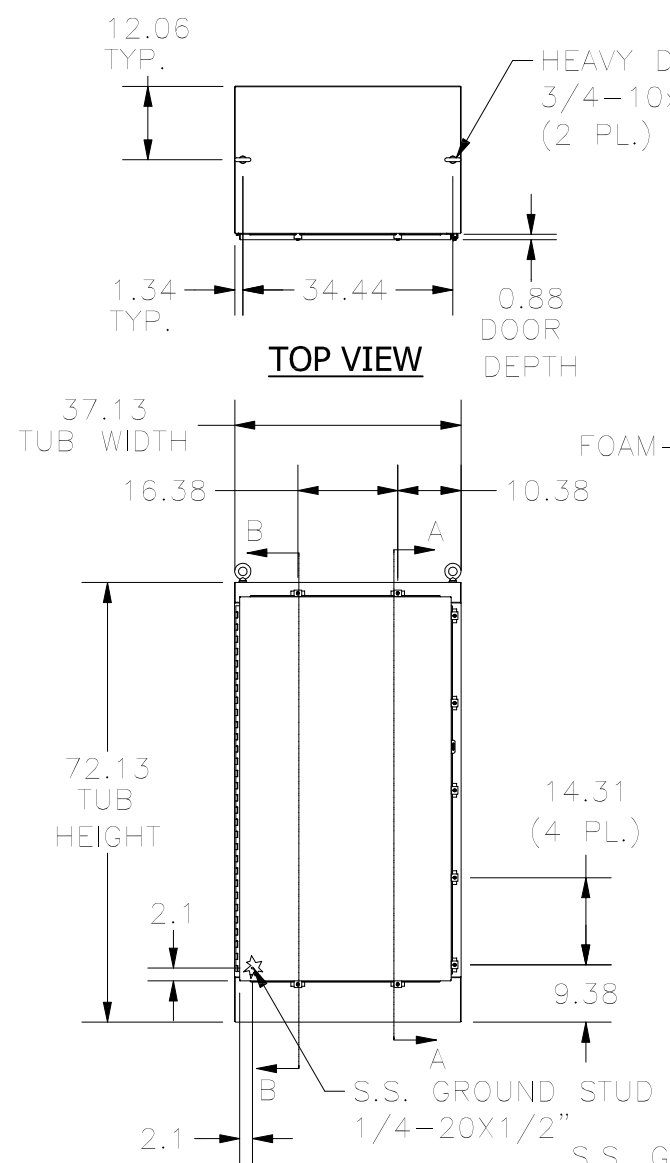


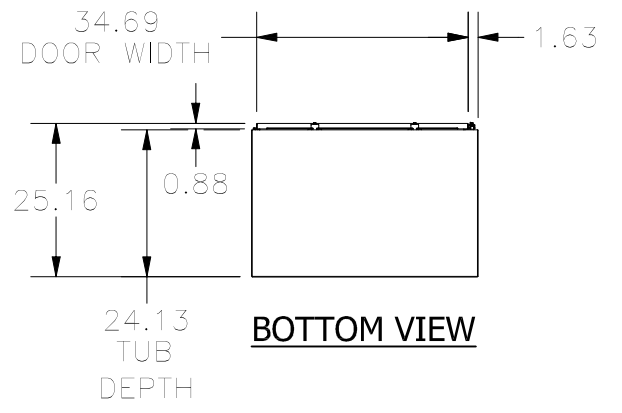
LEFT SIDE VIEW



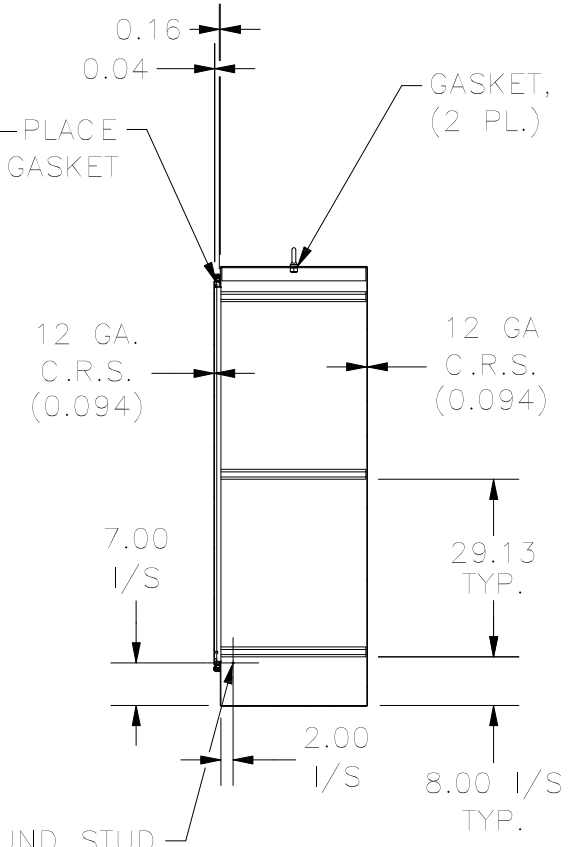
**SECTION A-A
(INSIDE RIGHT VIEW OF ENCLOSURE)**



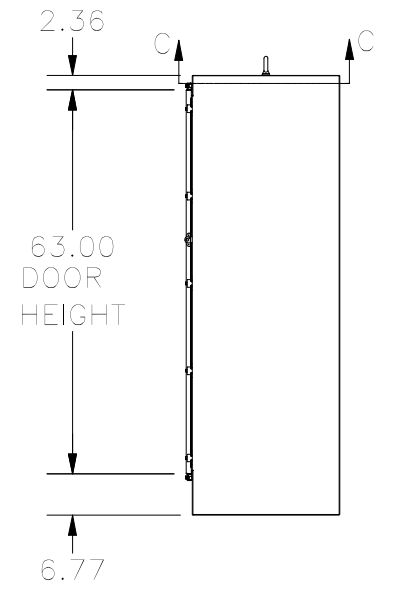
FRONT VIEW



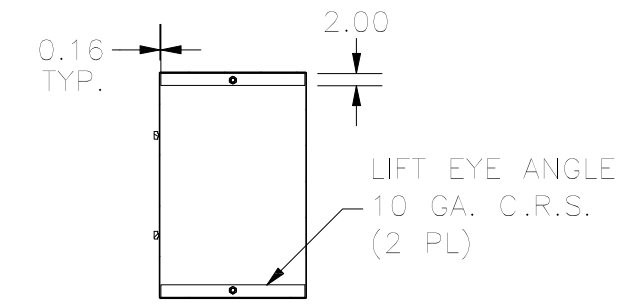
BOTTOM VIEW



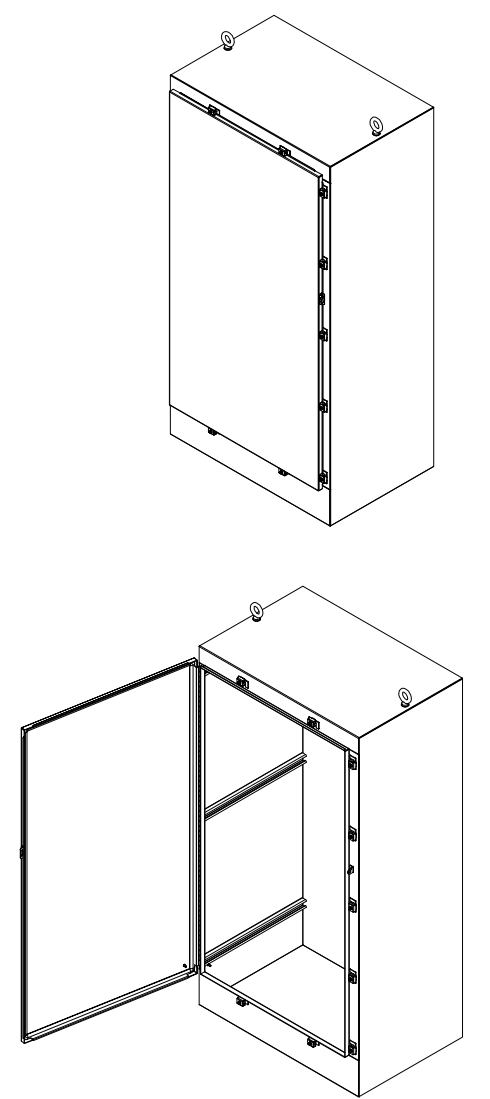
**SECTION B-B
(INSIDE LEFT VIEW OF ENCLOSURE)**



RIGHT SIDE VIEW



**SECTION C-C
(INSIDE TOP OF ENCLOSURE)**



PART#: N4S723724FS
(DATA SUBJECT TO CHANGE WITHOUT NOTICE)

THIS DRAWING IS PROPERTY OF HUBBELL INC. WIEGMANN
ALL INFORMATION IS PROPRIETARY AND NOT TO BE DUPLICATED