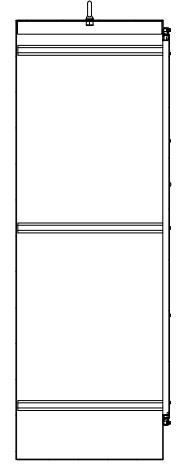
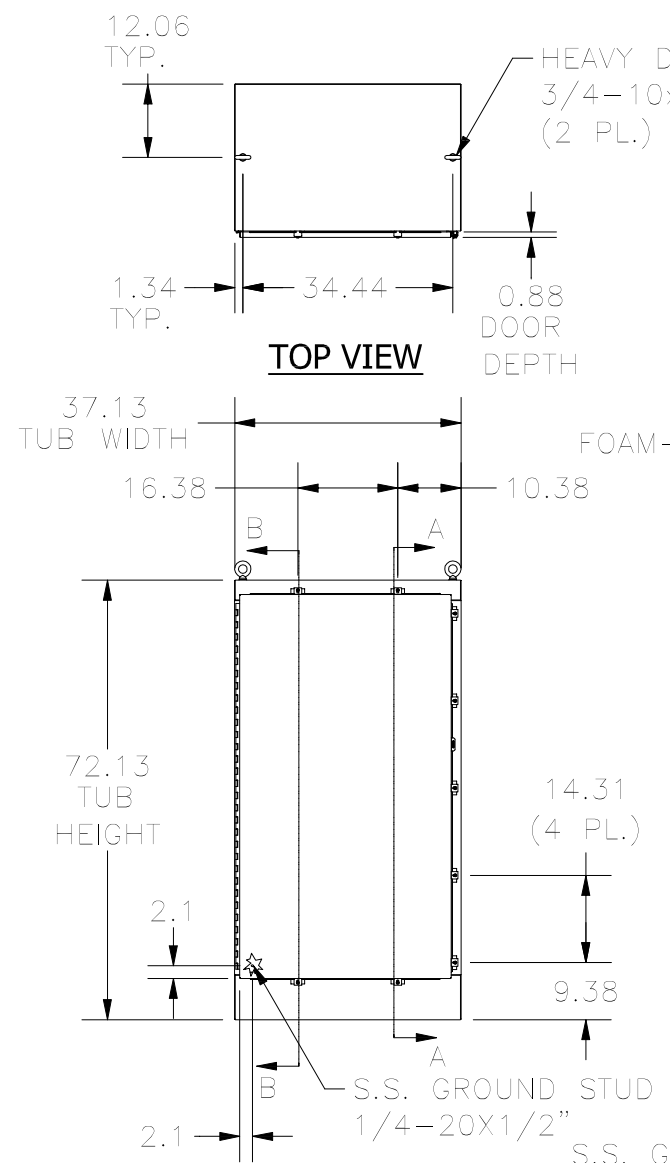


**LEFT SIDE VIEW**

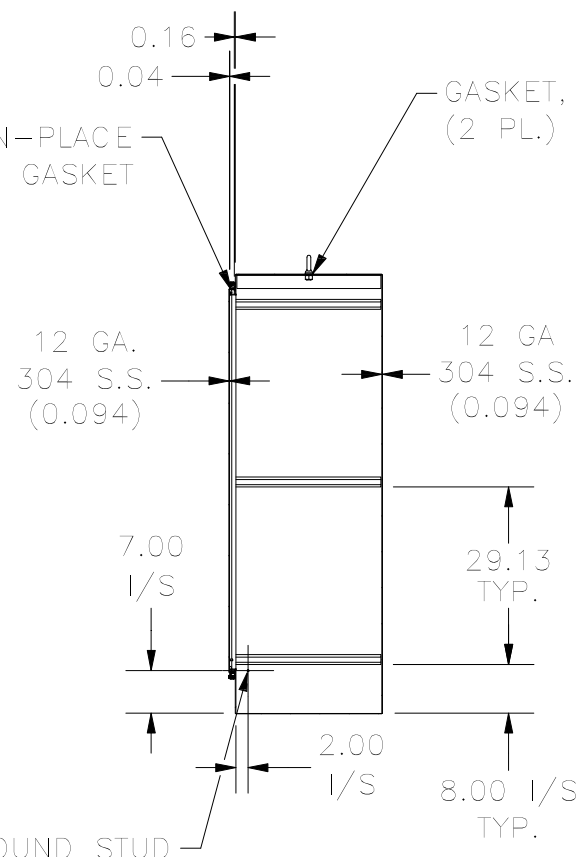


**SECTION A-A  
(INSIDE RIGHT VIEW OF ENCLOSURE)**

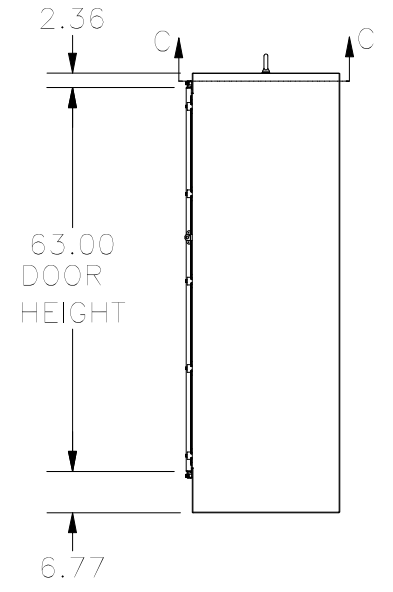


**TOP VIEW**

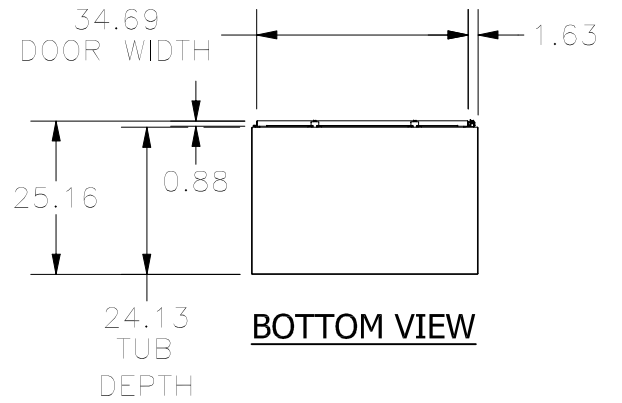
**FRONT VIEW**



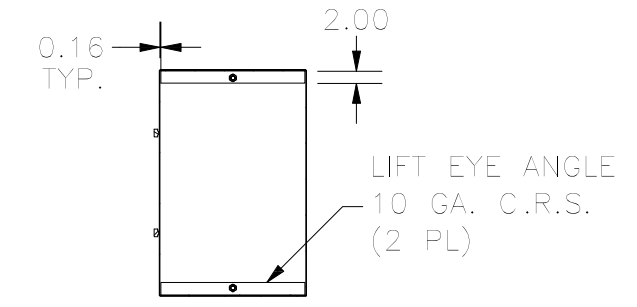
**SECTION B-B  
(INSIDE LEFT VIEW OF ENCLOSURE)**



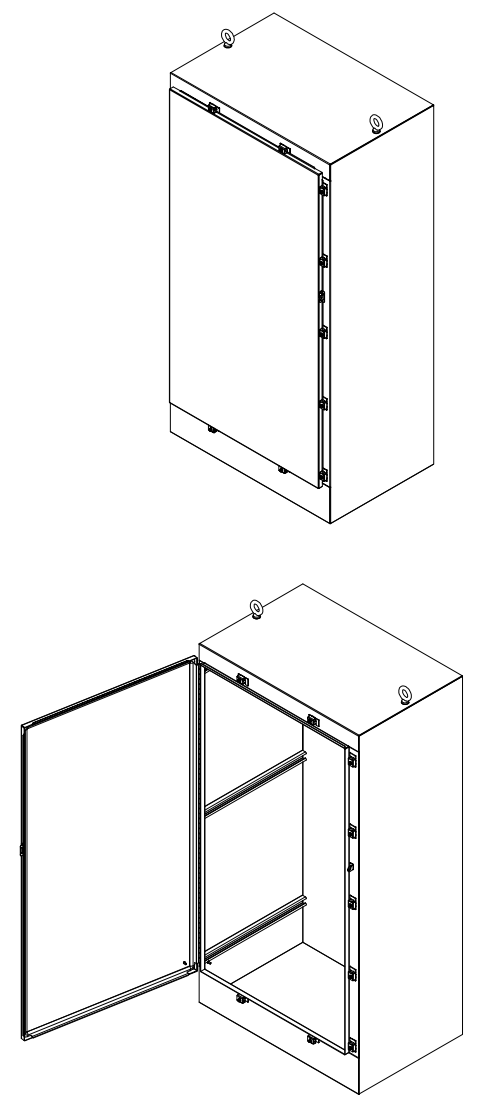
**RIGHT SIDE VIEW**



**BOTTOM VIEW**



**SECTION C-C  
(INSIDE TOP OF ENCLOSURE)**



PART#: N4S723724FSSS  
(DATA SUBJECT TO CHANGE WITHOUT NOTICE)

THIS DRAWING IS PROPERTY OF HUBBELL INC. WIEGMANN  
ALL INFORMATION IS PROPRIETARY AND NOT TO BE DUPLICATED