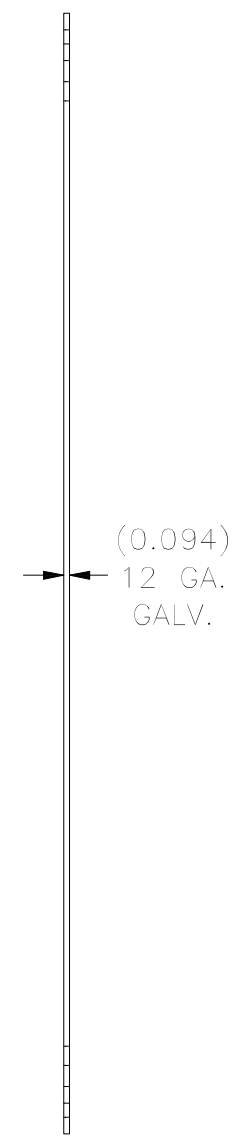
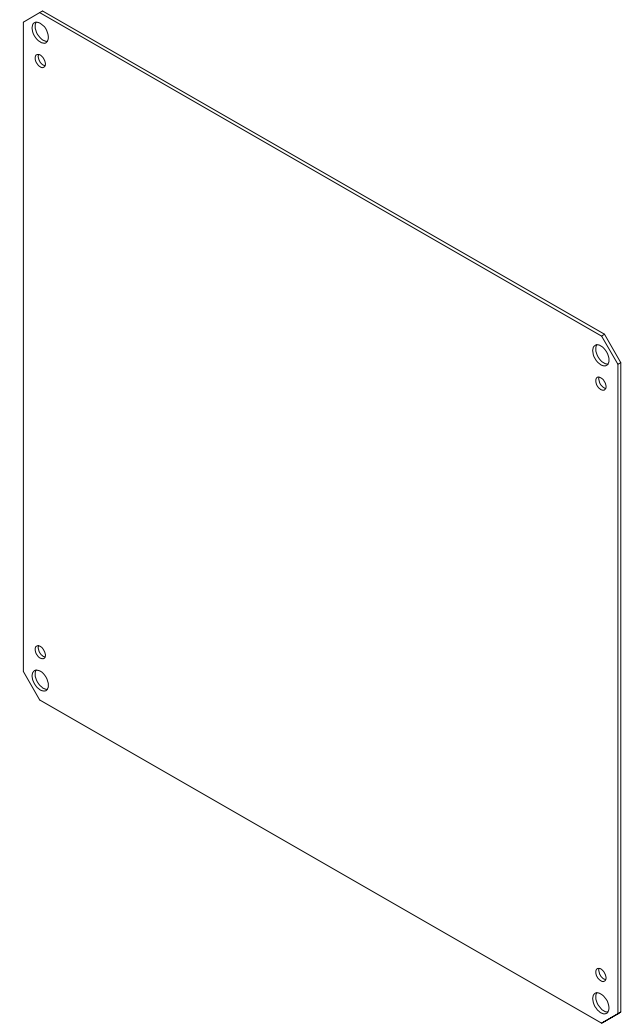


**FRONT VIEW**



**SIDE VIEW**



PART#: NP2020CG  
 (DATA SUBJECT TO CHANGE  
 WITHOUT NOTICE)  
 THIS DRAWING IS PROPERTY OF HUBBELL INC.  
 WIEGMANN  
 ALL INFORMATION IS PROPRIETARY AND NOT TO  
 BE DUPLICATED