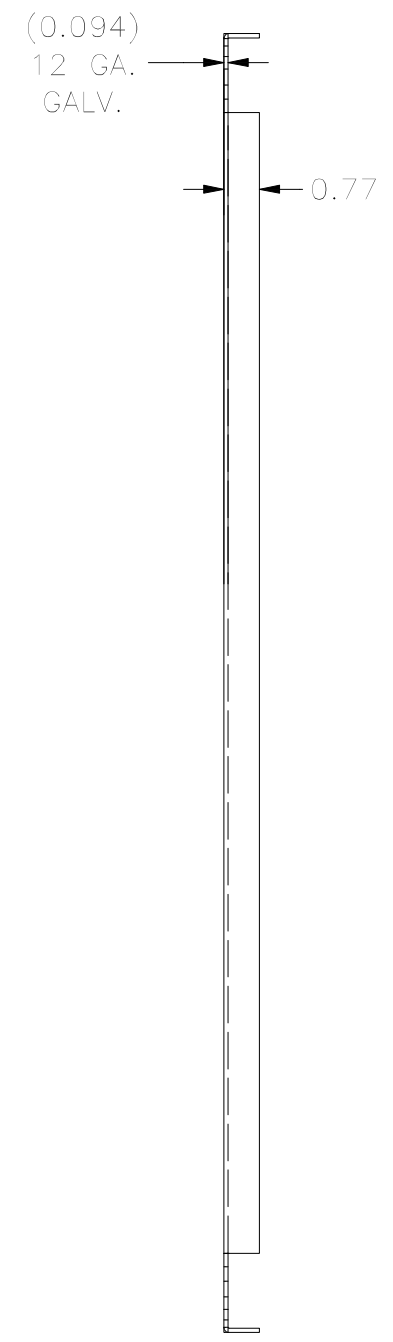
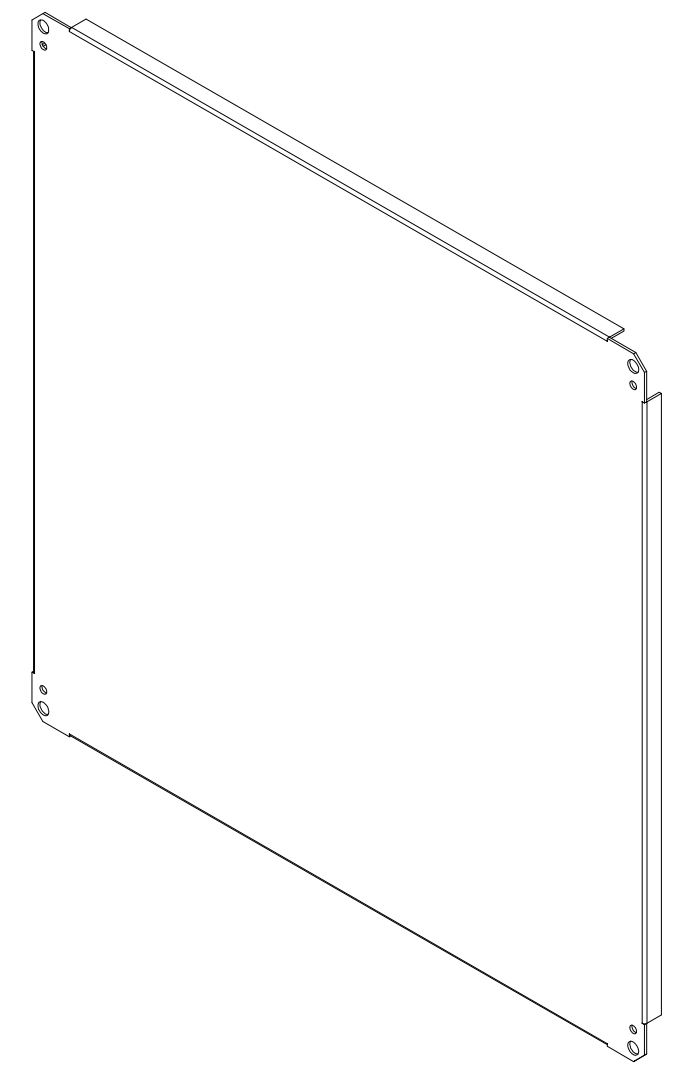


FRONT VIEW



SIDE VIEW



PART#: NP3030CG
 (DATA SUBJECT TO CHANGE WITHOUT NOTICE)
 THIS DRAWING IS PROPERTY OF HUBBELL INC. WIEGMANN
 ALL INFORMATION IS PROPRIETARY AND NOT TO BE DUPLICATED