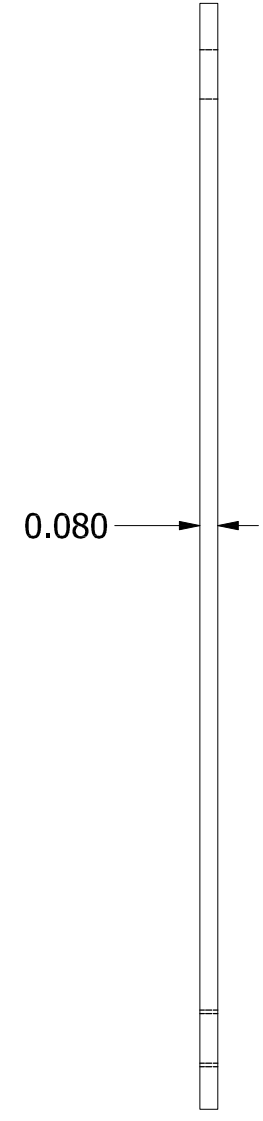
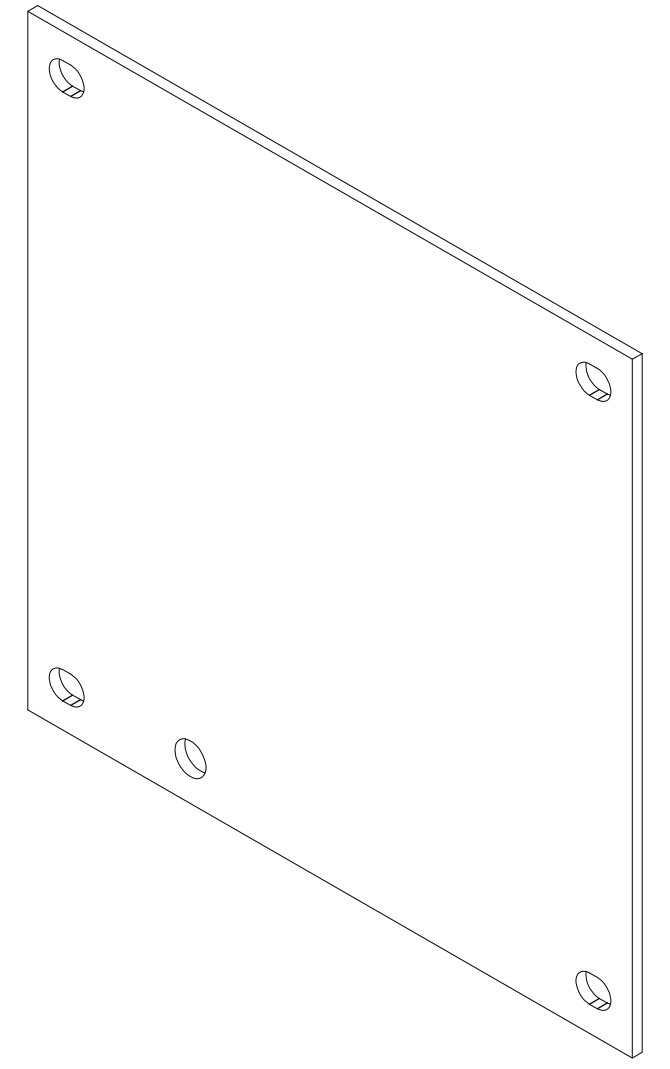


FRONT VIEW



RIGHT VIEW



PART#: P0606AL
 (DATA SUBJECT TO CHANGE WITHOUT NOTICE)
 THIS DRAWING AND COMPONENTS OF ARE PROPERTY OF HUBBELL INC. WIEGMANN